



**Professional Audio**



## **SUB MKII SERIES**

Active Subwoofers

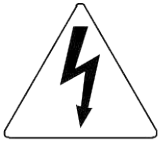
EN – User's Manual  
IT – Manuale Utente  
DE – Benutzerhandbuch

Ver. 1.0 BT

[www.verseaudio.com](http://www.verseaudio.com)

# IMPORTANT SAFETY INSTRUCTIONS

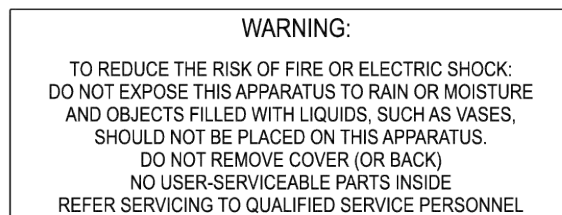
WARNING: READ THIS FIRST!



This symbol is intended to alert the user to the presence of uninsulated "dangerous voltage" within the product's enclosure that may be of sufficient magnitude to constitute a risk of electric shock to persons.



This symbol is intended to alert the user to the presence of important operating and maintenance (servicing) instructions in the literature accompanying the appliance.



## "INSTRUCTIONS PERTAINING TO A RISK OF FIRE, ELECTRIC SHOCK OR INJURY TO PERSONS"

### WARNING:

- 1) Read these instructions.
- 2) Keep these instructions.
- 3) Heed all warnings.
- 4) Follow all instructions.
- 5) Do not use this apparatus near water.
- 6) Clean only with dry cloth.
- 7) Do not block any ventilation openings. Install in accordance with the manufacturer's instructions.
- 8) Do not install near any heat sources such as radiators, heat registers, stoves or other apparatus (including amplifiers) that produces heat.
- 9) Do not defeat the safety purpose of the polarized or grounding-type plug. A polarized plug has two blades with one wider than the other. A grounding type plug has two blades and a third grounding prong. The wider blade or the third prong are provided for your safety. If the provided plug does not fit in to your outlet, consult an electrician for replacement of the obsolete outlet.
- 10) Protect the power cord from being walked on or pinched, particularly at plugs, convenience receptacles, and the point where they exit from the apparatus.
- 11) Only use attachments/accessories specified by the manufacturer.
- 12) Use only with the cart, stand, tripod, bracket, or table specified by the manufacturer, or sold, with the apparatus. When a cart is used, use caution when moving the cart/apparatus combination to avoid injury from tip-over.
- 13) Unplug this apparatus during lightning storms or when unused for long periods of time.
- 14) Refer all servicing to qualified service personnel. Servicing is required when the apparatus has been damaged in any way, such as power-supply cord or plug is damaged, liquid has been spilled or objects have fallen into the apparatus, the apparatus has been exposed to rain or moisture, does not operate normally, or has been dropped.



NOTE: The socket-outlet shall be installed near the equipment and shall be easily accessible.

**SAVE THESE INSTRUCTIONS**



CONTENTS

Important Notes..... 2

Overview..... 3

Controls and Connections..... 5

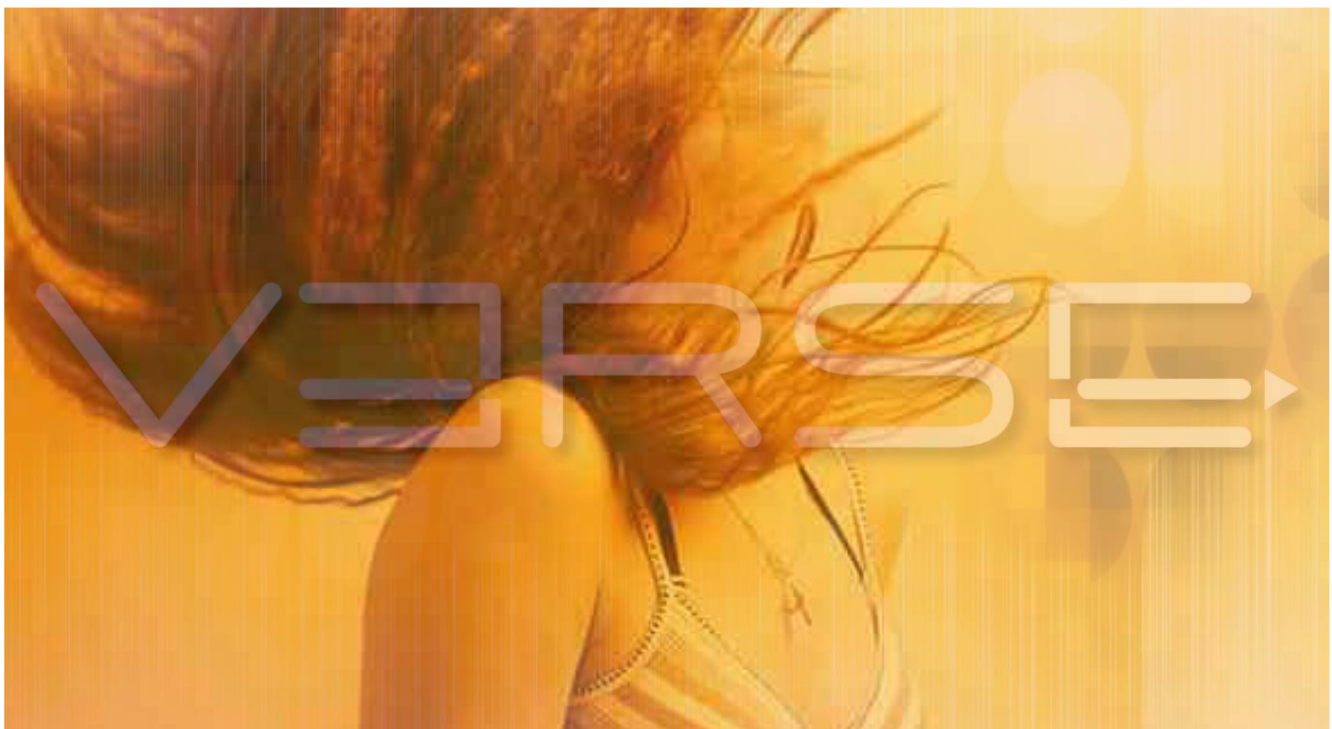
Powercon connections..... 7

Safety recommendations..... 9

Usage Suggestions..... 10

Technical Specification..... 11

Block Diagram..... 12



**OPEN SYSTEMS FOR OPEN MINDS**

We live in a universe of sounds.

Sounds to be captured and reproduced, which can just accompany our life, but can also be exalting and exciting. We were convinced we could reproduce this universe of sound in a new way - which is why we created Verse. New manufacturing technologies for amplifiers and loudspeakers, combined with a full digital control from the input socket up to the loudspeaker coil, made us decide to accept this challenge. In fact, Verse is total sound purity, giving results whose quality is unrivalled in such small dimensions.

Verse systems are built to astonish for their incredible quality and, thanks to their compactness and light weight, can always fit in alongside you anywhere. Follow us in our new venture and make it yours, re-discovering your universe of sounds.

The Verse team



THANK YOU FOR CHOOSING A VERSE PRODUCT.

THIS GUIDE WILL GIVE YOU INFORMATION AND USEFUL TIPS FOR A CORRECT USE OF YOUR SUB MKII SYSTEM.

THE VERSE STAFF WISHES YOU GOOD WORK AND... HAVE FUN!

## IMPORTANT NOTES

### LOOKING AFTER THE PRODUCT

- Never apply excessive force to the structures or controls (knobs, switches).
- Do not stress the speaker in transit or during use.
- Do not place the device close to heat sources, in damp or dusty places or close to strong magnetic fields.
- When possible, do not place the speaker close to units which generate strong interference, such as radio and TV sets, monitors, etc.
- Never insert objects or liquids of any kind inside the device, for any reason.
- Clean using a soft brush or an air jet only; never use detergents, solvents or alcohol.
- When disconnecting cables from sockets, always take hold of them by the connector and not by the cable itself, and when winding take care to avoid knots or twisting.
- Do not expose the speaker to direct sunlight.

### CONNECTING TO THE MAINS

- To avoid the risk of electric shock, do not make connections with wet hands.
- Make sure that the mains voltage is the same as that indicated on the control panel.
- Connect the speaker to a mains socket with earth contact.

### CONNECTING TO A MIXER

- Always use good quality screened cables.
- Before making the connections, check that all the speakers you are about to connect are switched off. You will avoid noisy, if not hazardous, signal peaks.

### IN CASE OF MALFUNCTION

- In case of malfunction, contact only an authorised service centre.



## OVERVIEW

VERSE speakers are developed from the idea that speech and music satisfy us when they are intelligible, undistorted and pleasant to listen to. There's no such thing as a system suited to one musical genre or another – these are just illusions caused by our personal taste. A real sound system can follow you anywhere: whether you're in a lounge bar accompanying an aperitif, in a traditional theatre, or just outdoors with a few instruments or a large orchestra.

In order to do this we applied the latest design and manufacturing technologies, and that's what gives Verse systems a huge reserve of dynamics, which can be heard when the need arises.

The experience of listening to Verse will enable you to discover many new horizons – a real uniVerse:

- natural, dynamic low frequencies that are not pumped up, but give an unforgettable physical sensation
- a great natural reaction to equalization, to satisfy users' personal taste, thanks to the great reserve of dynamics and the capacity of the new transducers

## TECHNOLOGY

### AMPLIFIERS

The new digital technology totally changed the way a professional audio amplifier is developed. No other way make possible to give great power and long term reliability.

Remarkable heat reduction and outstanding weight decrease make digital amplifier, that equip VERSE speaker, efficient, powerful and less heating. The output stages of the amplifiers typically run at 95% efficiency, dissipating only 5% of the input energy as heat.

Moreover the efficiency doesn't depend on the output level, and since standard music has an average power density of 40% of the maximum level, conventional amplifiers can easily generate 10 times more heat than VERSE ones for the same volume of sound.

To grant reliability and durability, VERSE amplifiers are provided with short-circuit protection, thermal protection with fan-speed control (that avoid temperature rising over 60° C) and amplifier disactivation system thus preventing amplifier breakdown if temperature rise to intolerable values. And also: protection circuit to cancel direct current component, protection from ultrasonic components in input and output. The I.T.P (Intelligent Thermal Protect) is warranty of perfect-working and long-lasting speakers.



## COMPONENTS

Together with high performance amplifiers, VERSE decided to put speakers conceived specifically to do their best with a so remarkable reserve of power. The woofers are made with neodymium magnets, aluminium coil and PET membrane. They make use of the O.M.A. (Orbital Magnet Array) technology to obtain huge excursions, "present" and dynamic bass, high acoustic pressure and mild weights.

## PROCESSING

The processors include cross-over and pass-band filters, level compressors/limiters, delay for the phase alignment of the system. The processors work automatically and are conceived to assure the best condition of playback and safety.

The limiter acts on the equalizer section and not - as usually happens - on the overall level only.

This leaves - also when the limiter acts - the sound nearly unchanged, because only the critical frequency region is damped.





CONTROLS AND CONNECTIONS

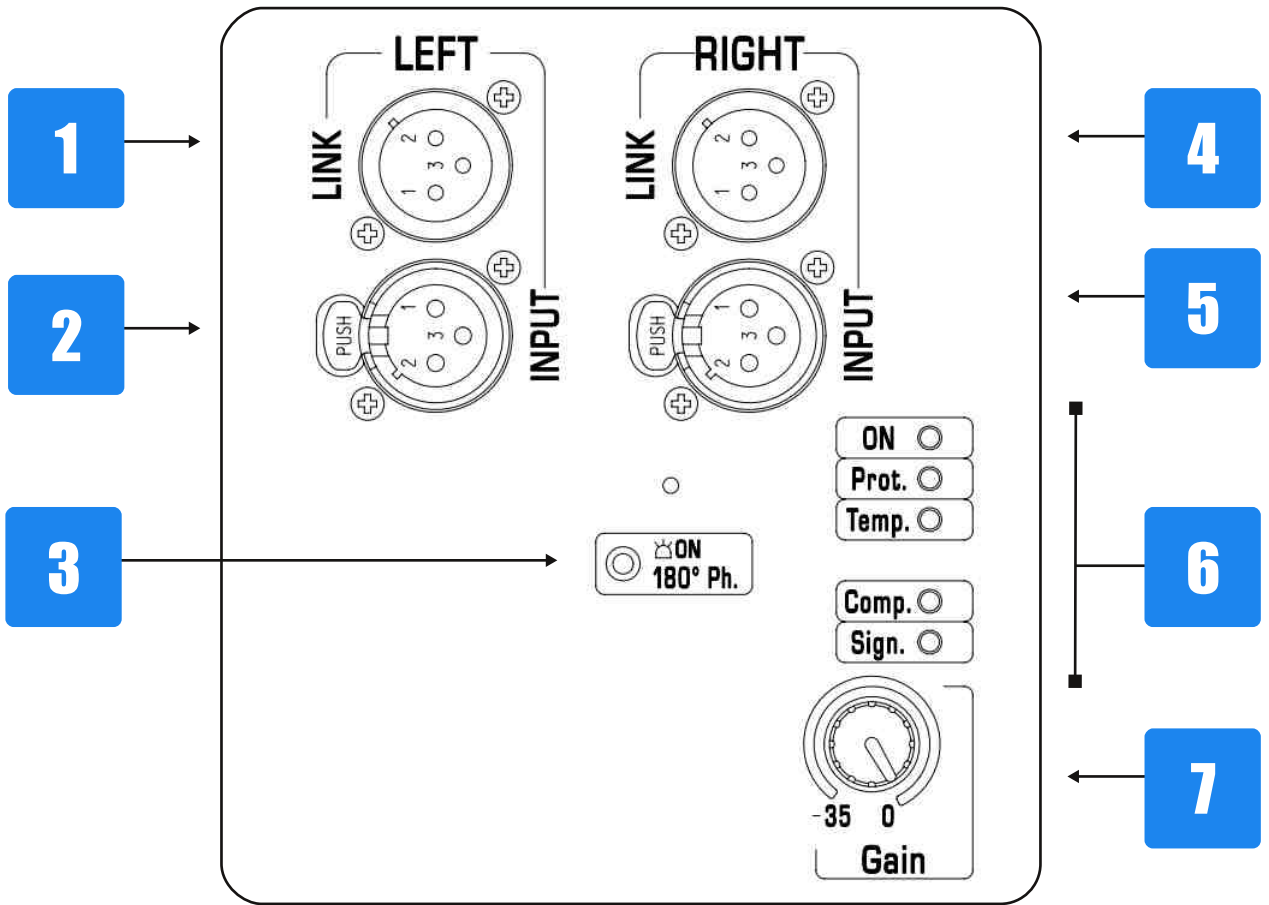


Figure A: Top-center control panel

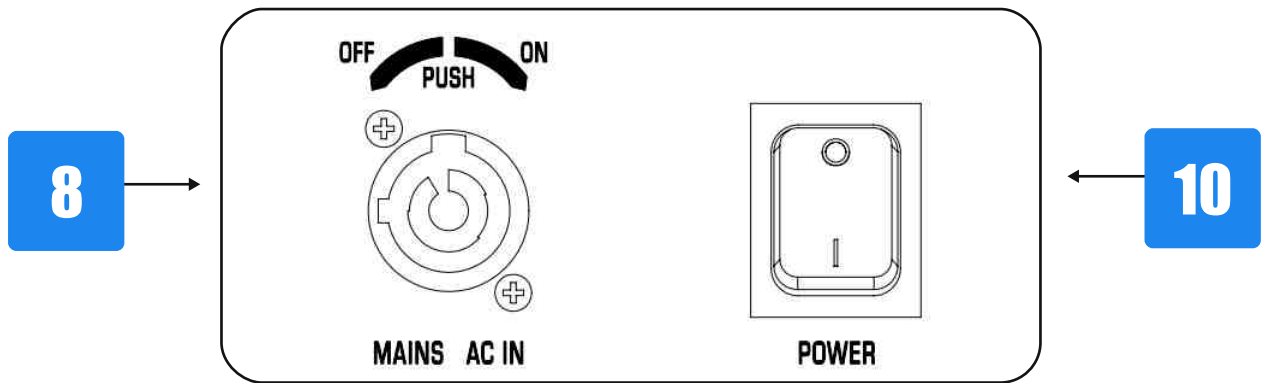


Figure B: Bottom-left controls

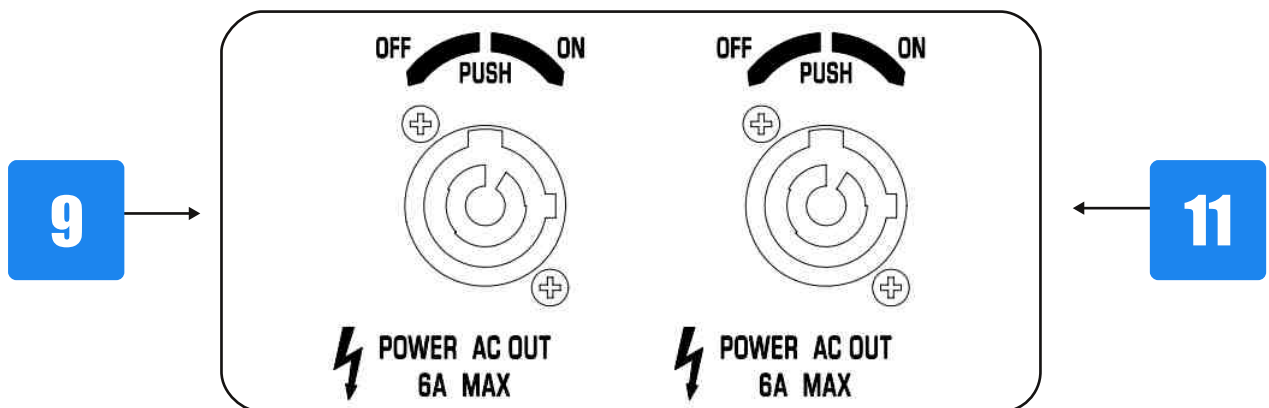


Figure C: Bottom-right controls



- 1 & 4. LEFT/RIGHT LINK: sends to the output the same signal coming from LEFT/RIGHT INPUT connector. This allow the cascade connection of different devices to the same sound source.
- 2 & 5. LEFT/RIGHT INPUT: XLR input socket for connection of the signal to be amplified.
3. 180° Ph: inverts input signal phase.
6. LEDs:
  - ON LED: indicates that the speaker is On.
  - Prot. LED: indicates that the internal amplifier switched to protection mode due to a fault of the amplifier itself or of the connected speakers (please call the technical support).
  - Temp. LED: indicates that the internal amplifier switched to protection mode due to excessive heating. In this condition, the amplifier supply half the normal power. Please reduce the input signal to allow the restore of normal load conditions.
  - Comp. LED: indicates activity of the compressor. If the signal passes over a safety threshold, the compressor guarantees a good quality playback without acoustic distortion, damping the appropriate signal frequencies. The system operates in total safety. If the LED is constantly On, there is an excess of signal. In this case, please reduce the incoming signal level.
  - Sign. LED: indicates that the signal is present.
7. Gain: to adjust the signal gain in range from –35dB to 0dB.
8. Mains In: connect the mains cable supplied from the factory with the loudspeaker to this socket.
- 9 & 11. AC Power Out: easily connect up to other two VERSE speakers to the mains. Pay attention not to exceed the limit reported on the chassis near to the connectors.
10. POWER: Switches the power on/off.





## POWERCON CONNECTIONS

The Powercon connectors make the system very practical and, thanks to the LINK OUTPUT on each enclosure, avoid the problem of having to run a power feed to each element.

All VERSE Systems are provided with special customized cables made of a pair of powercons and balanced XLR connectors. Therefore it is possible to provide for signal and power a VERSE SUB MKII from another VERSE SUB MKII or a VERSE INSIDER MKII. SUB MKII feature a double output link to simplify the left and right audio channels.

Please note: the purchase of a spare VERSE speaker (i.e: not buying it in a –k system) doesn't include the customized cables.

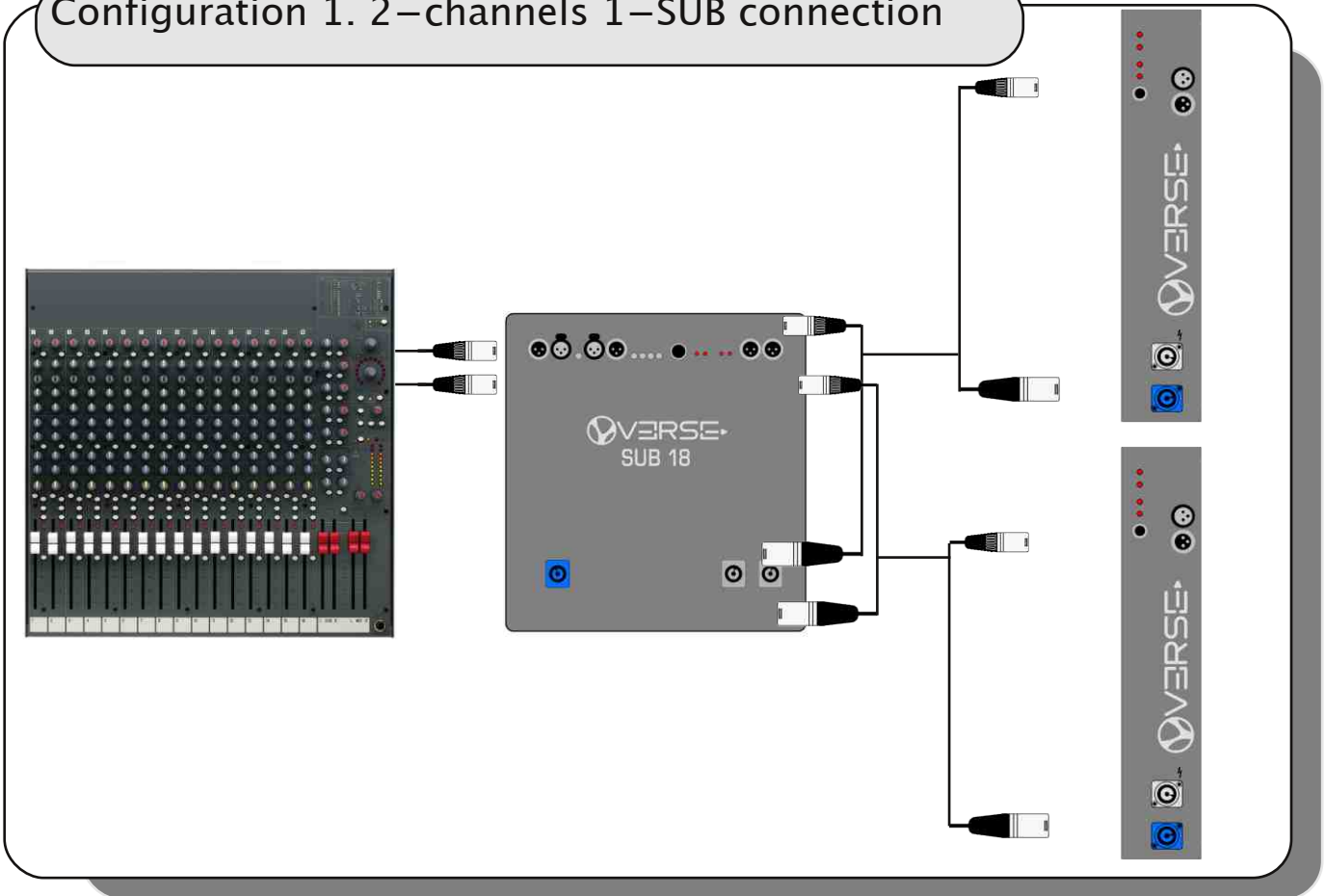


Detail of a Powercon main input

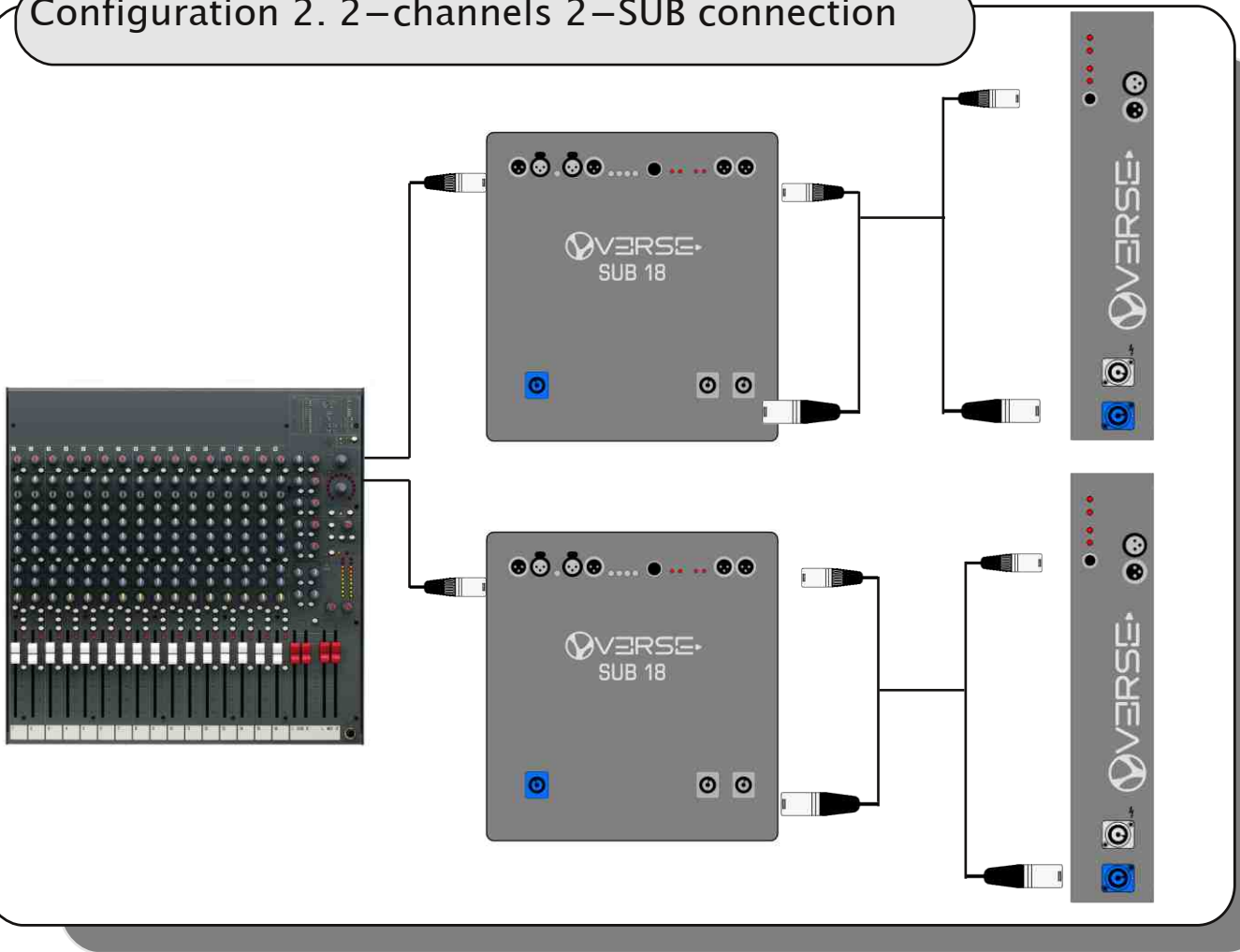


The customized cable provided with VERSE speakers.

### Configuration 1. 2–channels 1–SUB connection



Configuration 2. 2-channels 2-SUB connection





**SAFETY RECOMMENDATIONS**

This manual assumes that the owners and/or users of a VERSE System are knowledgeable and experienced in the areas of Pole use with loudspeaker systems. The suspension of large, heavy objects on a Pole in public places is subject to numerous laws and regulations at the national/federal, state/provincial, and local levels, that are not addressed in this manual. However, the user must assume responsibility for making sure that use of any VERSE system, its components and all the poles and associated hardware in any particular circumstance or venue conforms to all applicable laws and regulations in force at the time.

WHEN USING POLES, BE SURE TO OBSERVE THE FOLLOWING PRECAUTIONS. CHECK THE POLE SPECIFICATION TO BE CERTAIN THE DEVICE IS DESIGNED TO SUPPORT THE WEIGHT OF THE SPEAKER. OBSERVE ALL SAFETY PRECAUTIONS SPECIFIED BY THE MANUFACTURER. MAKE SURE THAT THE SURFACE ON WHICH THE SYSTEM IS TO BE STACKED IS FLAT, STABLE AND SOLID. ROUTE CABLES SO THAT PERFORMERS, PRODUCTION CREW, AND AUDIENCE WILL NOT TRIP AND TOPPLE THE SPEAKERS. INSPECT THE POLE AND ASSOCIATED HARDWARE BEFORE EACH USE AND DO NOT USE EQUIPMENT WITH WORN, DAMAGED, OR MISSING PARTS. DO NOT ATTEMPT TO PLACE MORE THAN ONE VERSE INSIDER MKII LOUDSPEAKERS ON A POLE.

ALWAYS BE CAUTIOUS WHEN DEPLOYING THE SYSTEM OUTDOORS. UNEXPECTED WINDS MAY TOPPLE A SYSTEM.

AVOID ATTACHING BANNERS OR SIMILAR ITEMS TO ANY PART OF A SPEAKER SYSTEM. SUCH ATTACHMENTS COULD ACT AS A SAIL AND TOPPLE THE SYSTEM. UNLESS YOU ARE CONFIDENT THAT YOU CAN HANDLE THE WEIGHT OF THE SPEAKER, ASK ANOTHER PERSON TO HELP YOU GET IT ONTO THE POLE.

Whenever the VERSE speakers are placed on a pole, using a properly arranged SUB MKII as support, the maximum stable height, granting stability and no toppling of the system, depends on the SUB MKII dimensions. Provided that the users are charged by responsibility of a correct installation and by thorough stability check, a reference guideline is given by the following table:

	INSIDER 8 MKII	INSIDER 10 MKII	INSIDER 12 MKII	INSIDER 15 MKII
SUB 10 MKII	max 90 cm	no	no	no
SUB 15 MKII	max 130cm	max 130cm	max 90cm	no
SUB 18 MKII	max 130cm	max 130cm	max 130cm	max 130cm
SUB 215 MKII	max 130cm	max 130cm	max 130cm	max 130cm



## USAGE SUGGESTIONS

The acoustic characteristics of the room/environment in which a sound system is used have sometimes very significant effects on the overall sound produced.

Thanks to its special technical features (such as the optimal width of its dispersion range), with the VERSE SUB MKII some of the most common problems can be reduced or prevented.

However, some factors should be borne in mind as they may help to optimise its performance.

- Do not place speakers in the corners of a room or in recesses (e.g. niches), since this causes an increase in the low frequencies, producing sounds which are redundant or blurred.
- Do not place speakers against a wall, as this also causes an increase in the low frequencies, although less pronounced than that produced in a corner or niche.  
N.B.: on the other hand, this phenomenon may sometimes be used to advantage to reinforce the low range, but it must be employed carefully and in a controlled way.
- Do not place speakers straight on a stage, a floating floor or any other support with cavities, as this tends to trigger resonances that alter and interfere with the overall sound.  
N.B.: solid supports should always be used when possible, or a speaker stand.
- Remember that high frequencies have a high level of directivity and a much higher absorption coefficient than low frequencies. Therefore, to guarantee that the signal reaches the listener in an intelligible form, position speakers so that they are in a direct line with the audience (clearly visible) about  $\frac{1}{2}$  metre / 1 metre above the audience's heads.
- In buildings with a lot of reverberation (places of worship, gymnasiums, etc.) first of all keep the sound reflections down using materials which absorb sound (carpets, curtains, special panels, etc.). If this is not possible or is not sufficient, do not simply turn up the volume, because this will also increase the volume of the reflected sound, and may make the situation even worse. The best solution is to use more speakers, placed around the room and closer to the audience (e.g. front+back; front+sides; front+sides+back).

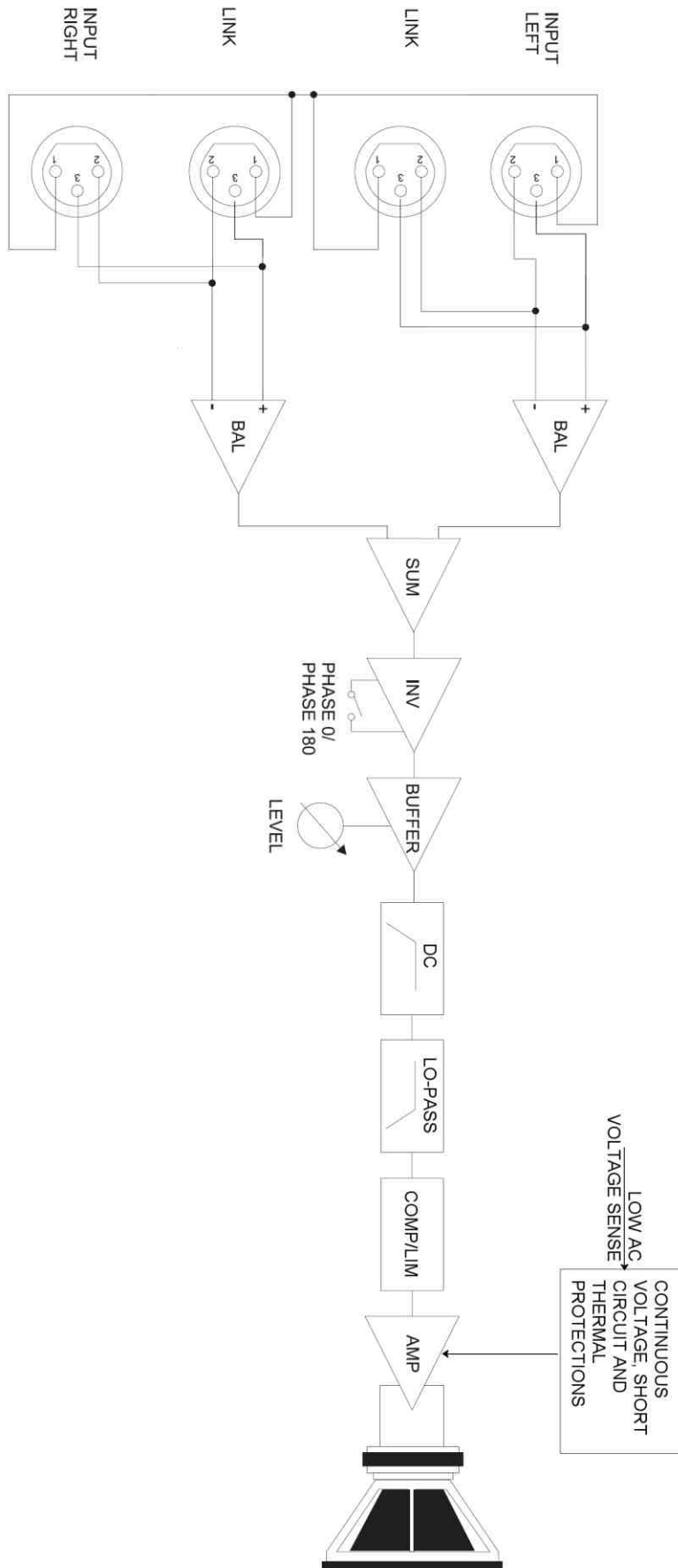


## TECHNICAL SPECIFICATIONS

	SUB 10 MKII	SUB 15 MKII	SUB 18 MKII	SUB 215 MKII
Amplifier	1000 W	2000 W	2000W	3400W
Frequency response	50Hz–140Hz	42Hz–140Hz	38Hz–140Hz	42Hz–140Hz
Input sensitivity	0dBu	0dBu	0dBu	0dBu
Max SPL average *	126dB	131dB	133dB	136dB
Subsonic filter	Yes	Yes	Yes	Yes
Active protective circuitry	Thermal, overload, short circuit	Thermal, overload, short circuit	Thermal, overload, short circuit	Thermal, overload, short circuit
Nominal impedance	input bal 15Kohm	input bal 15Kohm	input bal 15Kohm	input bal 15Kohm
Connections	2x female XLR L–R input, 2x male XLR L–R link outputs, 2x male XLR L–R line outputs, 1 powercon AC input, 2x powercon AC link out	2x female XLR L–R input, 2x male XLR L–R link outputs, 2x male XLR L–R line outputs, 1 powercon AC input, 2x powercon AC link out	2x female XLR L–R input, 2x male XLR L–R link outputs, 2x male XLR L–R line outputs, 1 powercon AC input, 2x powercon AC link out	2x female XLR L–R input, 2x male XLR L–R link outputs, 2x male XLR L–R line outputs, 1 powercon AC input, 2x powercon AC link out
<b>WOOFER</b>	10"	15"	18"	2x15"
Magnet	Neodimium	Neodimium	Neodimium	Neodimium
Voice Coil	Ventilated 2.5" Copper	Ventilated 4" Copper	Ventilated 4" Copper	Ventilated 4" Copper
Former Material	Fiber Glass	Fiber Glass	Fiber Glass	Fiber Glass
<b>CONSTRUCTION</b>				
Cabinet	Laminated birch polywood	Laminated birch polywood	Laminated birch polywood	Laminated birch polywood
Finish	Black scratch–resistant paint	Black scratch–resistant paint	Black scratch–resistant paint	Black scratch–resistant paint
Protection	Metal grid and foam	Metal grid and foam	Metal grid and foam	Metal grid and foam
Pole mount	1 top side	1 top side	1 top side	1 top side
Trolley Available	no	yes	yes	yes
Dimensions (HxWxD) mm	370x350x560	586x456x566	640x640x700	500x860x600
Weight	19Kg	32Kg	45Kg	50Kg

\* calculated

**BLOCK DIAGRAM**





**Disposal of old Electrical & Electronic Equipment (Applicable throughout the European Union and other European countries with separate collection programs)**

**Dir. 2002/95/CE, 2002/96/CE e 2003/108/CE**

This symbol, found on your product or on its packaging, indicates that this product should not be treated as household waste when you wish to dispose of it. Instead, it should be handed over to an applicable collection point for the recycling of electrical and electronic equipment. By ensuring this product is disposed of correctly, you will help prevent potential negative consequences to the environment and human health, which could otherwise be caused by inappropriate disposal of this product. The recycling of materials will help to conserve natural resources. For more detailed information about the recycling of this product, please contact your local city office, waste disposal service or the retail store where you purchased this product.



# ATTENZIONE: LEGGERE ATTENTAMENTE!



Questo simbolo indica che all'interno dell'apparecchio è presente un'alta tensione non isolata, sufficientemente alta da causare il rischio di shock elettrico alle persone



Questo simbolo indica che la documentazione acclusa all'apparecchio contiene importanti istruzioni per l'uso e la manutenzione.

ATTENZIONE  
PER RIDURRE IL RISCHIO DI SHOCK ELETTRICO O FUOCO:  
NON ESPORRE QUESTO APPARATO ALLA PIOGGIA O UMIDITÀ  
NON RIMUOVERE IL COPERCHIO (O IL PANNELLO POSTERIORE)  
ALL'INTERNO NON SI TROVANO PARTI DI SERVIZIO A CURA  
DELL'UTENTE. RIVOLGERSI A PERSONALE SPECIALIZZATO

## “ISTRUZIONI RELATIVE AL RISCHIO DI FUOCO, SHOCK ELETTRICO O DANNI ALLE PERSONE”

### IMPORTANTI ISTRUZIONI DI SICUREZZA

#### ATTENZIONE:

- 1) Leggete queste istruzioni.
- 2) Conservate queste istruzioni.
- 3) Osservate tutte le avvertenze.
- 4) Seguite tutte le istruzioni.
- 5) Non usate questo apparecchio vicino all'acqua. Non esponetelo a sgocciolamenti o spruzzi. Non collocate su di esso oggetti pieni di liquidi, come ad esempio vasi da fiori.
- 6) Pulite l'apparecchio solo con un panno asciutto.
- 7) Non ostruite nessuna apertura per l'aria di raffreddamento. Installate l'apparecchio seguendo le istruzioni del produttore.
- 8) Non installate l'apparecchio accanto a fonti di calore, come radiatori, aperture per l'efflusso di aria calda, forni o altri apparecchi (compresi amplificatori) che generano calore.
- 9) Non modificate la spina con spinotto di protezione in modo da non dover usare quest'ultimo; esso ha lo scopo di tutelare la vostra incolumità. Se la spina in dotazione non è adatta alla presa di corrente, rivolgetevi a un elettricista per fare eseguire le modifiche necessarie.
- 10) La presa di corrente deve essere installata vicino all'apparecchio e deve essere facilmente accessibile.
- 11) Evitate che si cammini sul cavo di alimentazione o che esso sia compresso, specialmente in corrispondenza della spina, della presa di corrente e del punto di uscita dall'apparecchio.
- 12) Usate solo i dispositivi di collegamento e gli accessori specificati dal produttore
- 13) Usate l'apparecchio con carrelli, sostegni, treppiedi, staffe o tavoli specificati dal produttore o venduti insieme all'apparecchio stesso. Se usate un carrello, fate attenzione durante gli spostamenti per prevenire che si ribalti.
- 14) Durante i temporali o se non userete l'apparecchio per un lungo periodo, scollegatelo dalla presa di corrente.
- 15) Per qualsiasi intervento, rivolgetevi a personale di assistenza qualificato. E' necessario intervenire sull'apparecchio ogniqualvolta venga danneggiato, in qualsiasi modo; per esempio se la spina o il cavo di alimentazione sono danneggiati, si è versato liquido sull'apparecchio o sono caduti oggetti su di esso, l'apparecchio è stato esposto alla pioggia o all'umidità, non funziona normalmente o è caduto.



**CONSERVARE QUESTE ISTRUZIONI**



INDICE

Norme di installazione ed uso..... 2  
 Presentazione..... 3  
 Controlli e Connessioni..... 5  
 Connessioni Powercon..... 7  
 Suggerimenti d'Uso..... 10  
 Specifiche Tecniche..... 11  
 Schema a Blocchi..... 12



**OPEN SYSTEMS FOR OPEN MINDS**

Viviamo in un universo di suoni.

Un universo di suoni da catturare e riprodurre, che ci può non solo accompagnare, ma anche esaltare ed eccitare. Eravamo convinti di poter riprodurre questo universo di suoni in modo nuovo, per questo abbiamo creato Verse. Un marchio giovanissimo, ma nato in una realtà di grande passione ed esperienza nella musica. Nuove tecnologie realizzative di amplificatori e altoparlanti, unite ad un completo controllo digitale dal jack di ingresso fino all'altoparlante, ci hanno fatto accettare questa sfida.

Verse è infatti purezza totale dei suoni, per un risultato di qualità insuperabile in così piccole dimensioni.

I sistemi Verse sono fatti per sorprendere con la loro incredibile qualità, per esservi vicini con discrezione e leggerezza, grazie alle dimensioni e peso ridotti.

Seguiteci nella nostra nuova avventura, e fatela vostra, per riscoprire il vostro universo di suoni.

The Verse team



GRAZIE PER AVER SCELTO UN PRODOTTO DELLA SERIE SUB VERSE.  
QUESTO MANUALE VI DARÀ INFORMAZIONI E SUGGERIMENTI UTILI PER UN  
CORRETTO UTILIZZO DEL VOSTRO SISTEMA SUB MKII.  
BUON LAVORO E BUON DIVERTIMENTO DALLO STAFF VERSE!

## NOTE IMPORTANTI

### CURA DEL PRODOTTO

- Non applicate eccessiva forza alle strutture ed ai comandi (manopole, interruttori).
- Evitate forti sollecitazioni della cassa sia nel corso del trasporto che durante il suo utilizzo.
- Evitate di posizionare l'apparecchio in prossimità di fonti di calore, in luoghi umidi o polverosi o nelle vicinanze di forti campi magnetici.
- Non collocare, quando possibile, la cassa in prossimità di unità che producano forti interferenze come apparecchi radio - TV, monitor, ecc...
- Non introdurre per nessuna ragione oggetti estranei o liquidi di qualsiasi genere all'interno dell'apparecchio.
- Per la pulizia usate solo un pennello morbido od aria compressa, non usate mai detersivi, solventi od alcool.
- Quando scollegate i cavi dalle prese abbiate cura di afferrarli per il connettore e non per il cavo stesso; avvolgendoli, inoltre, evitate nodi e torsioni.
- Evitate di esporre la cassa all'irradiazione solare diretta ed alla pioggia.

### COLLEGAMENTO ALLA RETE

- Per evitare il rischio di shock elettrico non effettuare i collegamenti con le mani bagnate.
- Accertatevi che la tensione di rete corrisponda a quella indicata sul pannello dei comandi.
- Collegate la cassa ad una presa di rete provvista di contatto a terra.

### COLLEGAMENTO AD UN MIXER

- Utilizzate sempre cavi schermati di buona qualità.
- Prima di effettuare i collegamenti accertatevi che tutte le casse che state per collegare siano spente. Eviterete rumorosi se non pericolosi picchi di segnale.

### IN CASO DI AVARIA

- In caso di avaria rivolgetevi esclusivamente ad un centro di assistenza autorizzato VERSE.



## PRESENTAZIONE

I diffusori Verse sono stati progettati partendo dall'idea che parlato e musica ci soddisfano quando sono intelligibili, piacevoli, indistorti. Non esistono sistemi adatti ad un genere musicale oppure ad un altro; sono solo illusioni dettate dal nostro gusto personale.

Un vero sistema sonoro deve essere adatto ad ascoltare musica sia che ci troviamo in un lounge bar , sia in un teatro classico, o semplicemente all'aperto, con pochi strumenti, od una grande orchestra.

Per ottenere questo sono state utilizzate le più recenti tecnologie costruttive per ogni singolo componente e ciò dà ai sistemi Verse una grandissima riserva di dinamica, che si fa sentire al momento opportuno.

L'esperienza di ascolto con i sistemi Verse apre nuovi orizzonti, un vero uniVerso, con:

- bassi naturali, dinamici e non gonfiati, che danno una sensazione fisica indimenticabile
- una grande naturalezza nella reazione all'equalizzazione, per incontrare il gusto personale, grazie alla grande riserva dinamica ed alla capacità dei nuovi trasduttori.

## TECNOLOGIA

### AMPLIFICATORI DIGITALI

La nuova tecnologia digitale ha cambiato il modo in cui si progetta l'amplificazione audio professionale. In nessun altro modo si può rispondere alla richiesta di grande potenza e affidabilità di lungo termine.

Grazie alla notevole riduzione del calore prodotto ed alla altrettanto considerevole riduzione del peso, gli amplificatori digitali di cui sono equipaggiati i diffusori Verse offrono grande efficienza, grande potenza e ridotta dissipazione di calore. Gli stadi di uscita di questi amplificatori, lavorano tipicamente al 95% di efficienza, dissipando appena il 5% di energia sotto forma di calore. Inoltre l'efficienza non è legata al livello di uscita, e considerando che il programma musicale ha mediamente una densità di potenza pari al 40% del massimo livello, gli amplificatori convenzionali generano dieci volte più calore, a parità di volume di suono.

Per garantire grande affidabilità e durata nel tempo, sono state adottate protezioni contro il corto-circuito, protezione termica con controllo della velocità di rotazione della ventola di raffreddamento che non fa mai salire la temperatura oltre i 60 gradi, ulteriore protezione che disattiva l'amplificatore qualora superasse valori intollerabili di temperatura, protezione verso componenti continue ed ancora protezione verso componenti ultrasoniche sia in ingresso che in uscita. L' I.T.P. (Intelligent Thermal Protect) è garanzia di un perfetto e duraturo funzionamento del diffusore.



## COMPONENTI

In accoppiamento ad amplificatori così performanti, Verse ha scelto di montare altoparlanti progettati specificatamente per rendere al meglio con una così notevole riserva di potenza.

I woofer sono realizzati con magneti al neodimio, bobina in alluminio e membrana in PET; adottano la tecnologia O.M.A. (Orbital Magnet Array) per ottenere grandi escursioni, bassi dinamici e presenti, elevata pressione acustica e pesi comunque contenuti.

## PROCESSORI

I processori comprendono x-over e filtri passa-banda, compressor/limitatori di livello, delay per l'allineamento in fase dei componenti. Il funzionamento dei processori è automatico ed è concepito per assicurare le migliori condizioni di riproduzione e di sicurezza.

Il limitatore interviene sulla sezione di equalizzazione e non come usualmente accade semplicemente sul livello. Questo consente, anche in caso di intervento del limiter, di alterare il meno possibile la risposta del diffusore, poichè viene attenuata solo la regione di frequenze più critiche.



**CONTROLLI E CONNESSIONI**

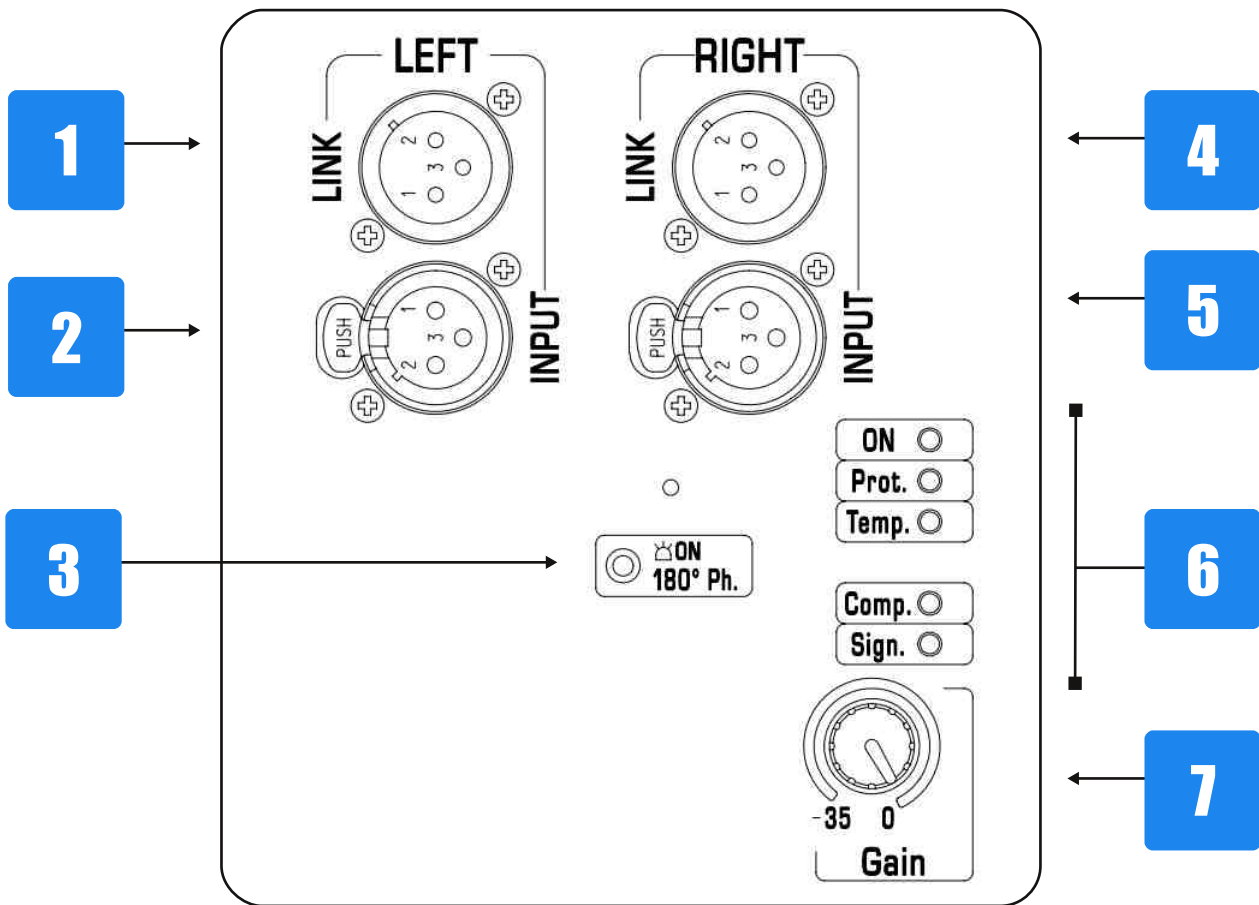


Figura A: Pannello centrale

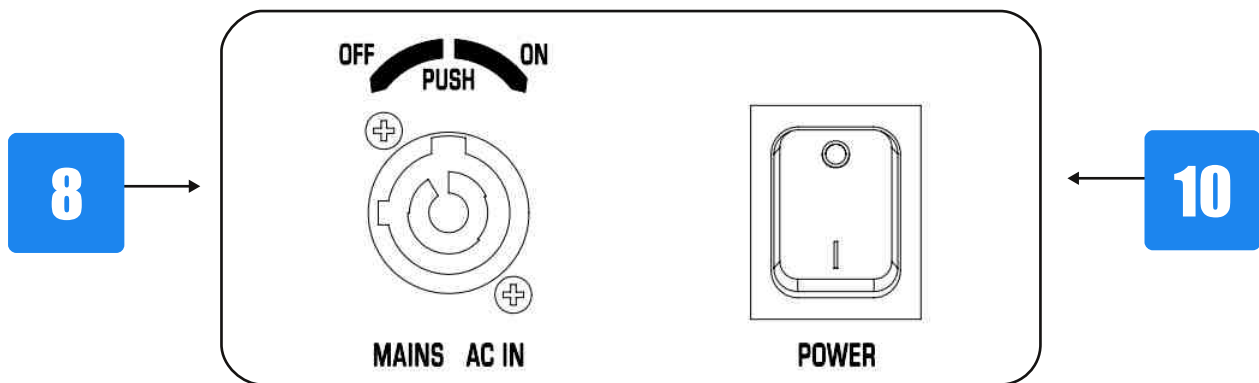


Figura B: Controlli di sinistra

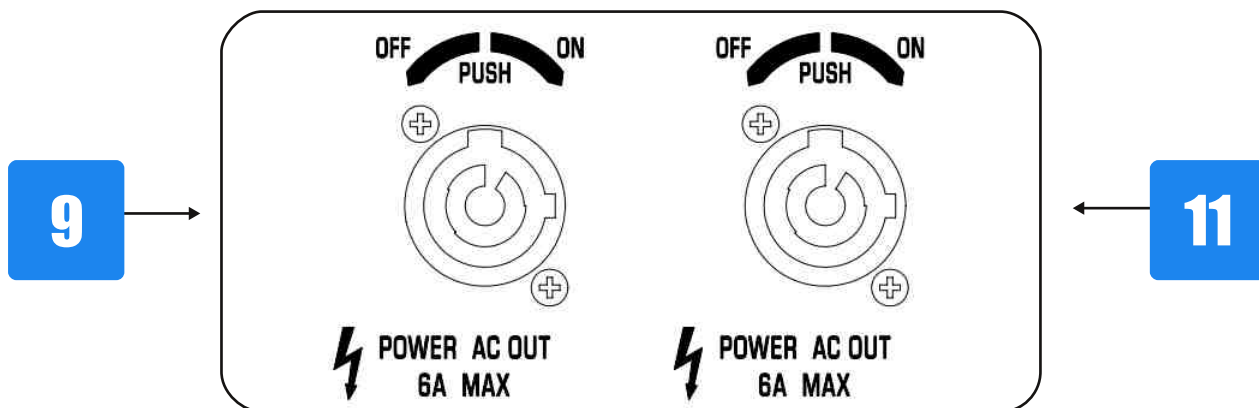


Figura C: Controlli di destra



- 1 & 4. Link: manda in uscita lo stesso segnale proveniente dal connettore LINE INPUT. Questo permette di connettere in cascata più dispositivi alla stessa sorgente sonora.
- 2 & 5. Line Input: connettori XLR bilanciati per l'ingresso del segnale da amplificare.
3. 180° Ph: Inverte la fase del segnale in ingresso.
6. Indicatori LED:
  - ON LED: Indica che lo speaker è acceso.
  - Prot. LED: indica che l'amplificatore interno è entrato in protezione a causa di un guasto dell'amplificatore stesso o degli altoparlanti collegati (rivolgersi all'assistenza tecnica)
  - Temp. LED: indica che l'amplificatore interno è entrato in protezione a causa del raggiungimento di un calore eccessivo. In questa condizione, l'amplificatore eroga metà della potenza disponibile. Ridurre il segnale in ingresso per consentire il ripristino delle normali condizioni di lavoro.
  - Comp. LED: indica che il compressore è in funzione. Se il segnale supera la soglia di sicurezza il compressore garantisce una riproduzione fedele, senza distorsione, attenuando solamente le frequenze di segnale appropriate. Il sistema opera in completa sicurezza. Se il LED è costantemente acceso c'è un eccesso di segnale, si consiglia di ridurre il livello del segnale in ingresso.
  - Sign. LED: indica che il segnale è presente.
7. Gain: modifica il guadagno del segnale in ingresso tra  $-35\text{dB}$  e  $0\text{dB}$ .
8. Mains In: connette alla presa di corrente.
- 9 & 11. AC Power Out: per alimentare altri speaker VERSE. Fare attenzione a non eccedere il limite di corrente riportato sullo chassis, vicino al connettore grigio.
10. POWER: Interruttore di accensione/spegnimento.





## CONNESSIONI POWERCON

Il connettore PowerCon rende il sistema molto pratico e, grazie al connettore Link presente in ogni cassa, evita il problema di portare l'alimentazione ad ogni elemento. Tutti i sistemi VERSE sono provvisti dello speciale cavo fornito di due powercon e due cavi XLR, rendendo possibile portare segnale e corrente da un elemento all'altro. I SUB MKII sono equipaggiati con una uscita doppia per semplificare il cablaggio dei canali destro e sinistro.

NB: i cavi speciali sono inclusi solo nei sistemi VERSE, dunque l'acquisto di un singolo altoparlante o sub non comporta l'inclusione di suddetto cavo.

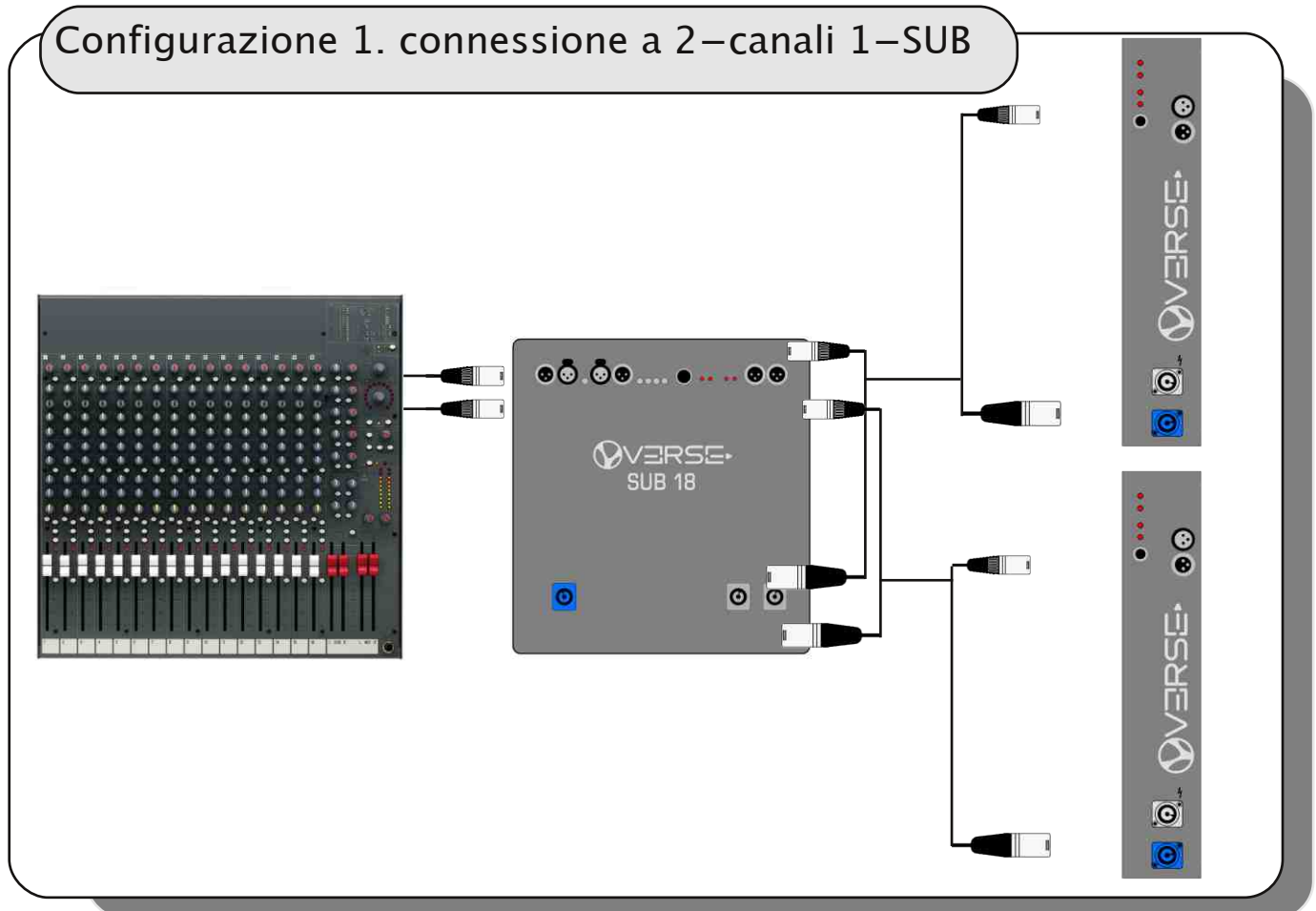


Dettaglio di una presa di corrente PowerCon

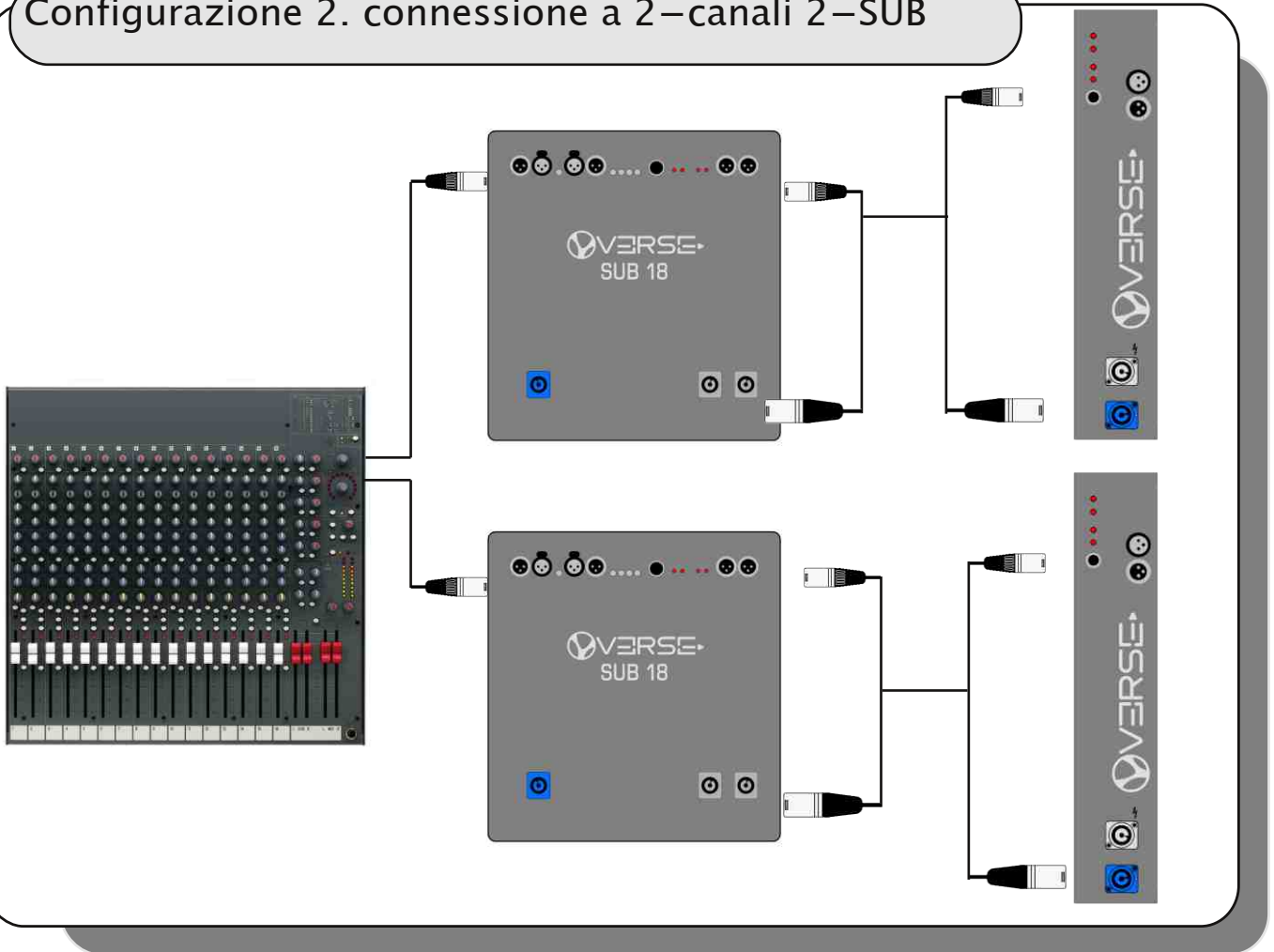


Gli speciali cavi inclusi nei sistemi VERSE

### Configurazione 1. connessione a 2–canali 1–SUB



Configurazione 2. connessione a 2-canal 2-SUB





## RACCOMANDAZIONI PER LA SICUREZZA

In questo manuale si assume che l'utente od il proprietario del sistema VERSE abbia conoscenza ed esperienza nell'installazione di sistemi di casse acustiche con l'utilizzo di pali per la sospensione sulle casse SUB MKII.

L'installazione su pali di oggetti di grandi dimensioni e di peso notevole in spazi pubblici deve sottostare a numerose leggi e regolamentazioni ai differenti livelli locali e nazionali che non sono oggetto di questo manuale.

In ogni caso l'utente deve assumersi ogni responsabilità relativamente all'uso in sicurezza dei sistemi VERSE ed all'utilizzo di apparecchiature idonee alla loro sospensione in ogni particolare circostanza e luogo, in conformità alle leggi e regolamenti vigenti.

QUANDO SI USANO PALI, ASSICURATEVI DI OSSERVARE LE PRECAUZIONI DESCRITTE NEL SEGUITO.

VERIFICARE ATTENTAMENTE CHE LE SPECIFICHE DEL PALO PER ESSERE SICURI CHE L'APPARECCHIATURA È PROGETTATA PER SOSTENERE IL PESO DELLA CASSA CHE SI VUOLE SOSPENDERE. OSSERVARE TUTTE LE PRECAUZIONI DI SICUREZZA SPECIFICATE DAL FABBRICANTE DEL PALO. ACCERTARSI CHE LA SUPERFICIE SULLA QUALE SARÀ DISPOSTO IL SISTEMA SIA PIANA, STABILE E NON SDRUCCIOLEVOLE. DISPORRE I CAVI DI RETE E DI SEGNALE IN MODO TALE CHE ESECUTORI, PERSONALE DI SERVIZIO E PUBBLICO NON INCIAMPINO E FACCIANO TRABALLARE LA CASSA SOSPESA SUL PALO. ISPEZIONARE IL PALO PRIMA DI OGNI UTILIZZO E NON UTILIZZARE MAI ATTREZZATURE CON PARTI USURATE, DANNEGGIATE, O MANCANTI. NON MONTARE MAI PIÙ DI UNA CASSA INSIDER MKII SU UNO STATIVO O PALO.

QUANDO SI UTILIZZANO SISTEMI DI CASSE IN INSTALLAZIONI ALL'APERTO È MOLTO IMPORTANTE FARE ATTENZIONE A VENTI INASPETTATI CHE POSSONO FARE TRABALLARE E ROVESCIARE IL SISTEMA. EVITARE DI LEGARE BANDIERE O ARTICOLI SIMILI A QUALSIASI PARTE DI UN SISTEMA DI CASSE, COSÌ DA EVITARE CHE SI COMPORTE COME UNA VELA E FACCIA ROVESCIARE IL SISTEMA.

SE NON SI È SICURI DI POTER REGGERE DA SOLI IL PESO DEL DIFFUSORE, È OPPORTUNO CHIEDERE AD UN'ALTRA PERSONA UN AIUTO PER SOLLEVARE LA CASSA FIN SULLA CIMA DEL PALO O DELLO STATIVO.

Qualora i diffusori della serie Verse siano montati su palo, utilizzando come base una cassa SUB MKII predisposta, l'altezza che garantisce la stabilità ed il non ribaltamento del sistema, dipende dalle dimensioni della cassa SUB MKII. Pur rimanendo a carico dell'utente la responsabilità di una corretta installazione e della verifica di stabilità, valgono le indicazioni riportate nella seguente tabella:

	INSIDER 8 MKII	INSIDER 10 MKII	INSIDER 12 MKII	INSIDER 15 MKII
SUB 10 MKII	max 90 cm	no	no	no
SUB 15 MKII	max 130cm	max 130cm	max 90cm	no
SUB 18 MKII	max 130cm	max 130cm	max 130cm	max 130cm
SUB 215 MKII	max 130cm	max 130cm	max 130cm	max 130cm



## SUGGERIMENTI D'USO

Le caratteristiche acustiche dell'ambiente nel quale si effettua una diffusione incidono sul risultato sonoro complessivo, talvolta in modo molto significativo.

Gli speaker VERSE, grazie alle loro peculiarità tecniche (ad esempio: l'ampio angolo di dispersione), consentono di contenere o prevenire alcuni degli inconvenienti tipici.

Qualche accorgimento d'installazione, tuttavia, può contribuire a ottimizzarne le prestazioni.

- Evitate di collocare i diffusori negli angoli di una stanza o in cavità (es. nicchie), poiché ciò determina un incremento delle basse frequenze, causando suoni ridondanti e poco distinti.

- Evitate di collocare i diffusori contro un muro, poiché ciò determina un incremento delle basse frequenze, anche se in modo più contenuto rispetto alla collocazione in un angolo o in una nicchia.

NOTA: per contro, questo fenomeno può talora essere vantaggiosamente sfruttato proprio per rinforzare la gamma bassa, ma è opportuno che ciò sia praticato con consapevolezza e in modo controllato.

- Evitate di far poggiare i diffusori direttamente su un palco, su un pavimento galleggiante o su un altro supporto con cavità, poiché ciò tende ad indurre risonanze che alterano e disturbano il risultato sonoro complessivo.

NOTA: usate di preferenza un appoggio solido (pieno) oppure o uno stativo per casse acustiche.

- Ricordate che le frequenze alte sono caratterizzate da un elevato indice di direttività e sono soggette ad un coefficiente di assorbimento molto più elevato rispetto alle frequenze basse.

Per garantire intelligibilità e presenza del segnale, pertanto, posizionate i diffusori in modo che siano collocati in linea di diffusione diretta (a vista) verso il pubblico d'ascolto, a  $\frac{1}{2}$  metro / 1 metro al di sopra di esso.

- In ambienti altamente riverberanti (luoghi di culto, palestre, etc.) provvedete innanzitutto a contenere le riflessioni usando materiali fono-assorbenti (tappeti, tendaggi, pannelli specifici, etc.). Se ciò non fosse praticabile o non fosse sufficiente, evitate di ricorrere al semplice incremento di volume, poiché ciò incrementerebbe anche il volume delle riflessioni, possibilmente peggiorando la situazione. Ricorrete di preferenza all'uso di un maggior numero di diffusori distribuiti, più vicini al pubblico d'ascolto (es. fronte+retro; fronte+lati, fronte+lati+retro).



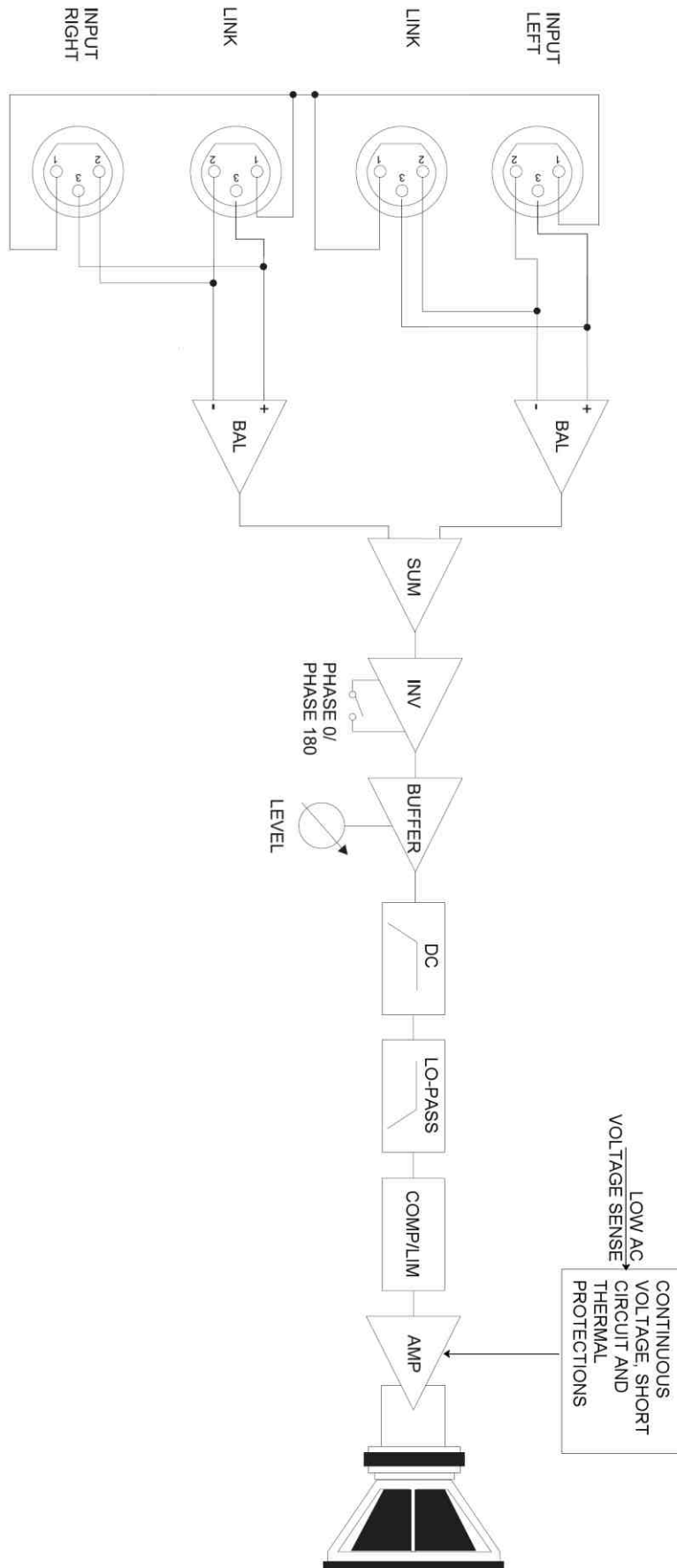
SPECIFICHE TECNICHE

	SUB 10 MKII	SUB 15 MKII	SUB 18 MKII	SUB 215 MKII
Amplifier	1000 W	2000 W	2000W	3400W
Frequency response	50Hz–140Hz	42Hz–140Hz	38Hz–140Hz	42Hz–140Hz
Input sensitivity	0dBu	0dBu	0dBu	0dBu
Max SPL average *	126dB	131dB	133dB	136dB
Subsonic filter	Yes	Yes	Yes	Yes
Active protective circuitry	Thermal, overload, short circuit	Thermal, overload, short circuit	Thermal, overload, short circuit	Thermal, overload, short circuit
Nominal impedance	input bal 15Kohm	input bal 15Kohm	input bal 15Kohm	input bal 15Kohm
Connections	2x female XLR L–R input, 2x male XLR L–R link outputs, 2x male XLR L–R line outputs, 1 powercon AC input, 2x powercon AC link out	2x female XLR L–R input, 2x male XLR L–R link outputs, 2x male XLR L–R line outputs, 1 powercon AC input, 2x powercon AC link out	2x female XLR L–R input, 2x male XLR L–R link outputs, 2x male XLR L–R line outputs, 1 powercon AC input, 2x powercon AC link out	2x female XLR L–R input, 2x male XLR L–R link outputs, 2x male XLR L–R line outputs, 1 powercon AC input, 2x powercon AC link out
<b>WOOFER</b>	10"	15"	18"	2x15"
Magnet	Neodimium	Neodimium	Neodimium	Neodimium
Voice Coil	Ventilated 2.5" Copper	Ventilated 4" Copper	Ventilated 4" Copper	Ventilated 4" Copper
Former Material	Fiber Glass	Fiber Glass	Fiber Glass	Fiber Glass
<b>CONSTRUCTION</b>				
Cabinet	Laminated birch plywood	Laminated birch plywood	Laminated birch plywood	Laminated birch plywood
Finish	Black scratch–resistant paint	Black scratch–resistant paint	Black scratch–resistant paint	Black scratch–resistant paint
Protection	Metal grid and foam	Metal grid and foam	Metal grid and foam	Metal grid and foam
Pole mount	1 top side	1 top side	1 top side	1 top side
Trolley Available	no	yes	yes	yes
Dimensions (HxWxD) mm	370x350x560	586x456x566	640x640x700	500x860x600
Weight	19Kg	32Kg	45Kg	50Kg

\* calculated



## SCHEMA A BLOCCHI





**Smaltimento dei rifiuti elettrici ed elettronici (applicabile nell'Unione Europea e negli altri paesi europei con servizio di raccolta differenziata)**

**Ai sensi dell'art. 13 del Decreto legislativo 25 luglio 2005, n. 151 "Attuazione delle Direttive 2002/95/CE, 2002/96/CE e 2003/108/CE"**

Il simbolo presente sul prodotto o sulla sua confezione indica che il prodotto non verrà trattato come rifiuto domestico. Sarà invece consegnato al centro di raccolta autorizzato per il riciclo dei rifiuti elettrici ed elettronici. Assicurandovi che il prodotto venga smaltito in modo adeguato, eviterete un potenziale impatto negativo sull'ambiente e la salute umana, che potrebbe essere causato da una gestione non conforme dello smaltimento del prodotto. Il riciclaggio dei materiali contribuirà alla conservazione delle risorse naturali. Per ricevere ulteriori informazioni più dettagliate Vi invitiamo a contattare l'ufficio preposto nella Vostra città, il servizio per lo smaltimento dei rifiuti o il negozio in cui avete acquistato il prodotto.

Lo smaltimento del prodotto da parte dell'utente comporta l'applicazione delle sanzioni amministrative previste dalla normativa di legge.



# ACHTUNG: Diese Seite sollten Sie zuerst lesen!



Der Blitz mit der Pfeilspitze im gleichseitigen Dreieck soll den Anwender vor nicht isolierter gefährlicher Spannung im Geräteinnern warnen. Diese Spannung kann so hoch sein, dass die Gefahr eines Stromschlags besteht.



Das Ausrufungszeichen im gleichseitigen Dreieck soll den Anwender auf wichtige Bedienungs- und Wartungsanleitungen aufmerksam machen, die im mitgelieferten Informationsmaterial näher beschrieben werden.

## ACHTUNG

UM DAS RISIKO EINES STROMSCHLAGS ZU VERMEIDEN; SOLLTEN SIE DAS GERÄT NICHT ÖFFNEN. IM SERVICEFALL WENDEN SIE SICH BITTE AN IHREN HÄNDLER ODER AN EINE AUTORISIERTE SERVICE-WERKSTATT.

Bei der Benutzung elektrischer Geräte sollten einige grundlegende Sicherheitsvorkehrungen getroffen werden. Dazu gehören insbesondere die folgenden:

- 1) Lesen Sie das gesamte Handbuch, bevor Sie das Gerät in Betrieb nehmen.
- 2) Bewahren Sie das Handbuch gut auf.
- 3) Beachten Sie alle Warnhinweise.
- 4) Folgen Sie allen Anweisungen.
- 5) Benutzen Sie das Gerät nicht in Wassernähe.
- 6) Reinigen Sie das Gerät nur mit einem trockenen Tuch.
- 7) Das Gerät muß derart aufgestellt werden, dass eine ausreichende Ventilation gewährleistet ist. Anschließen gem. Anweisungen des Herstellers.
- 8) Dieses Gerät muß vor übermäßiger Wärmeeinstrahlung (Heizkörper, Heizlüfter und andere wärmeproduzierende Einrichtungen) ferngehalten werden.
- 9) Dieses Gerät kann mit einem gepolten Netzanschluß geliefert worden sein (z.B. Steckerstift mit größerem Durchmesser). Falls der Stecker nicht in die Steckdose passen sollte, muß ein Fachmann zu Rate gezogen werden. Nehmen Sie keine Veränderungen am Netzanschluß vor!
- 10) Das Gerät muß in der Nähe eines Netzanschlusses aufgestellt werden. Die verwendete Steckdose sollte leicht zugänglich und in unmittelbarer Nähe des Geräts sein.
- 11) Keine Gegenstände auf das Netzkabel stellen oder derart aufstellen, dass durch das Netzkabel ein Schaden ausgelöst werden könnte (beispielsweise durch Betreten, darüber Stolpern, Gegenstände darüber rollen oder schieben).
- 12) Dieses Gerät darf nur in Verbindung mit einer vom Hersteller empfohlenen oder mitgelieferten Standvorrichtung, bzw. Zubehör betrieben werden.
- 13) Nehmen Sie keine Eingriffe am Gerät vor, es sei denn, Sie werden ausdrücklich in den zugehörigen Dokumentationen (z.B. Bedienungsanleitung) erwähnt. Alle weitergehenden Eingriffe dürfen nur durch qualifizierte Fachleute erfolgen.
- 14) Ziehen Sie den Netzstecker aus der Steckdose im Falle eines Gewitters oder wenn Sie das Gerät längere Zeit nicht benutzen.
- 15) Sie sollten sich an Ihren Kundendienst wenden, wenn:
  - a) Das Netzkabel oder Netzstecker beschädigt sind,
  - b) Gegenstände oder Flüssigkeiten in das Gerät eingedrungen sind,
  - c) das Gerät dem Regen oder Feuchtigkeit ausgesetzt war, oder
  - d) am Gerät Fehlfunktionen auftreten,



**DIESE HINWEISE AUFBEWAHREN**



INHALT

Wichtige Hinweise.....	2
Übersicht.....	3
Regler und Anschlüsse.....	5
Powercon–Verbindungen.....	7
Sicherheitsempfehlung für Distanzstangen.....	9
Anwendungs–Vorschläge.....	10
Technische Daten.....	11
Block–Diagramm.....	12



## OPEN SYSTEMS FOR OPEN MINDS

Wir leben in einem wahren Sound–Universum.

Das Aufnehmen und Wiedergeben von Klängen ist zu einem festen Bestandteil unseres Lebens geworden und ist begeisternd und aufregend zugleich. Neue Herstellungsverfahren für Lautsprecher und Verstärker, kombiniert mit einer stetigen Verbesserung der Präzision der Klangwiedergabe, haben uns dazu motiviert die Herausforderung anzunehmen und eine neue Generation von Soundsystemen zu entwickeln, die den gesteigerten Ansprüchen unsere Zeit gerecht werden kann. Das Ergebnis ist VERSE. VERSE, das ist purer Klang in einer Qualität und Durchsetzungskraft, die man von Komponenten dieser Größe nicht erwarten würde. Dank ihrer kompakten Bauweise und dem extrem geringen Gewicht sind die Speaker einfach zu transportieren und werden so zu permanenten Begleitern, die sich problemlos überall hin mitnehmen und einsetzen lassen. Entdecken Sie ihr persönliches Sound–Universum– mit Verse.

Das Verse team



DANKE, DASS SIE SICH FÜR EIN PRODUKT AUS DER VERSE SUB SERIE ENTSCHIEDEN HABEN. DIESE BEDIENUNGSANLEITUNG LIEFERT IHNEN WICHTIGE INFORMATIONEN UND TIPPS UM IHR SUB MKII SYSTEM BESTMÖGLICH NUTZEN ZU KÖNNEN. DAS VERSE–TEAM WÜNSCHT IHNEN VIEL SPAß BEI IHRER ARBEIT!

## WICHTIGE HINWEISE

### GEHEN SIE SCHONEND MIT IHREM GERÄT UM

- Wenden Sie bei der Bedienung niemals Gewalt an (Regler, Schalter). Vermeiden sie beim Transport starke Stöße.
- Belasten sie die Lautsprecher nie übermäßig - nicht während des Transports und auch nicht während des Betriebs.
- Platzieren Sie die Lautsprecher niemals in der Nähe von Heizungen/Wärmequellen, in feuchten oder staubigen Räumen oder im Umfeld starker Magnetfelder.
- Platzieren sie die Lautsprecher, falls möglich, nicht in unmittelbaren Umgebung von Geräten die starke Interferenzen aussenden, so wie Radios, Fernsehgeräte, Monitore etc. .
- Reinigen Sie die Komponenten nur mit einer weichen Bürste oder Druckluft. Verwenden Sie niemals alkohol– oder lösungsmittelhaltige Putzmittel.
- Wenn Sie ein Kabel entfernen, sollten Sie immer direkt am Stecker und nicht am Kabel ziehen. Achten Sie beim Zusammenlegen der Kabel darauf, dass sich keine Knoten, Verdrehungen oder Schlingen bilden.
- Setzen Sie die Lautsprecher niemals direkter Sonnenbestrahlung aus.

### ANSCHLUSS ANS STROMNETZ

- Um das Risiko eines Stromschlags zu vermeiden, sollten Sie die Verbindung mit dem Netz auf keinen Fall mit nassen oder feuchten Händen herstellen.
- Stellen Sie sicher, dass das von Ihnen verwendete Stromnetz den Vorgaben auf dem Bedien–Panel entspricht.
- Verbinden Sie die Lautsprecher nur mit geerdeten Steckdosen.

### VERBINDUNG MIT EINEM MISCHER

- Verwenden Sie ausschließlich hochwertige, abgeschirmte Kabel.
- Stellen Sie vor dem Anschluss sicher, dass die Lautsprecher auf jeden Fall ausgeschaltet sind. Auf diese Weise vermeiden Sie laute oder sogar gefährliche Signal–Spitzen.

### IM FALLE EINER FEHLFUNKTION

- Setzen Sie sich im Falle einer Fehlfunktion umgehend mit einem autorisierten Service–Center in Verbindung.



## ÜBERSICHT

Die Basis für die Entwicklung von VERSE Lautsprechern bildete die Erkenntnis, dass Sprach- und Musikübertragungen nur dann als perfekt empfunden werden, wenn sie klar und definiert sind, Volumen und Druck haben ohne zu verzerren und dabei so angenehm klingen, dass man ihnen gerne zuhört. Außerdem sollten die Systeme Stil übergreifend einsetzbar sein und in jedem Ambiente erstklassig funktionieren. Egal ob man im kleinen Club, einer großen Halle oder Open-Air aufbaut, einzelne Instrumente oder gleich ein ganzes Orchester bedienen muss. Um dies zu erreichen, setzen wir bei der Produktion unserer Boxen ausschließlich auf modernste Designs, Materialien und Fertigungsverfahren. Das Ergebnis sind Systeme mit einer enormen Leistungsfähigkeit und beruhigenden Dynamikreserven - was man spätestens dann zu schätzen weiß, wenn man in Situationen kommt in denen ein Plus an Power gefragt ist.

Mit VERSE Systemen entdecken sie neue Horizonte - ein echtes uniVerse.

- Natürliche, dynamische Tiefen, die nicht aufgepumpt wirken und dennoch für ein echtes physisches Erlebnis sorgen.
- eine direkte und sehr natürliche Reaktion auf die Klangregelung, so dass der Benutzer den Sound optimal an seine persönlichen Vorlieben und/oder die Ansprüche der gerade zu beschallenden Räumlichkeiten anpassen kann.

## TECHNOLOGIE

### VERSTÄRKER

Die Digital-Technik hat die Entwicklung professioneller Audio-Verstärker revolutioniert. Keine andere Technik ist in der Lage mehr Leistung bereit zu stellen - von der Haltbarkeit mal ganz abgesehen. Die auf ein Minimum reduzierte Wärmeentwicklung und ein überragendes Leistungs-/Gewichtsverhältnis der in VERSE Boxen verwendeten Digitalverstärker, sorgen für ein perfektes Handling und enorme Leistungsreserven. Die Endstufen der Verstärker erreichen eine Effizienz von unglaublichen 95%. Das heißt in der Praxis, dass nur 5% der verwendeten Energie in Wärme umgewandelt wird. Der Rest geht im Audiosignal auf. Grundsätzlich hängt die Effizienz eines Systems nicht zwingend von der Ausgangslautstärke ab. Da die durchschnittliche Leistungsdichte einer Standardanwendung bei ca. 40% der maximal zu erreichenden Lautstärke liegt, können konventionell aufgebaute Verstärker ganz leicht 10 mal mehr Hitze erzeugen, als ein VERSE Gerät auf gleichem Lautstärke-Niveau.

Um eine optimale Zuverlässigkeit und Haltbarkeit garantieren zu können, kommen VERSE Verstärker mit einem Kurzschluss-Schutz, einem Überhitzungs-Schutz mit thermostatgesteuerter Lüfter-Geschwindigkeit (sorgt dafür, dass die Betriebstemperatur nicht über 60° Celsius steigt) und einer Abschaltautomatik, die den Verstärker deaktiviert, sobald er ein Wärme-Level erreicht, das einen Schaden zur



Folge haben könnte.

Außerdem haben die VERSE Lautsprecher einen Filter zur Eliminierung extrem hochfrequenter Signale und Störungen, die den Klang negativ beeinflussen könnten. Das ITP System (Intelligent Thermal Protect) ist ein Garant für eine optimale Performance und eine lange Lebensdauer der Lautsprecher.

## KOMPONENTEN

Als perfekte Partner der verwendeten Hochleistungsverstärker setzt VERSE auf Lautsprecher die in der Lage sind, den Klang und die Leistung perfekt und sicher umzusetzen. Die Woofer kommen mit Neodymium Magneten, Aluminium Spulen und PET Membranen. Die zum Einsatz kommende O.M.A. (Orbital Magnet Array) Technologie sorgt für definierte, dynamische Bässe und einen hohen Schalldruck bei einem geringen Gewicht.

## SIGNALVERARBEITUNG

Die verwendeten Prozessoren beinhalten Frequenzweichen und Band-Pass Filter, Level-Kompressoren/Limiter, sowie ein Delay zum Phasenabgleich des Systems. Die Prozessoren arbeiten automatisiert und garantieren so eine optimale Performance und Betriebssicherheit. Der Limiter nimmt auf die Equalizer-Sektion Einfluss und nicht - wie normalerweise üblich - ausschließlich auf die Gesamtlautstärke. Dies ermöglicht - obwohl der Limiter aktiv ist - dass der Ton unverändert bleibt, weil nur die kritische Frequenz gedämpft wird.



**REGLER UND ANSCHLÜSSE**

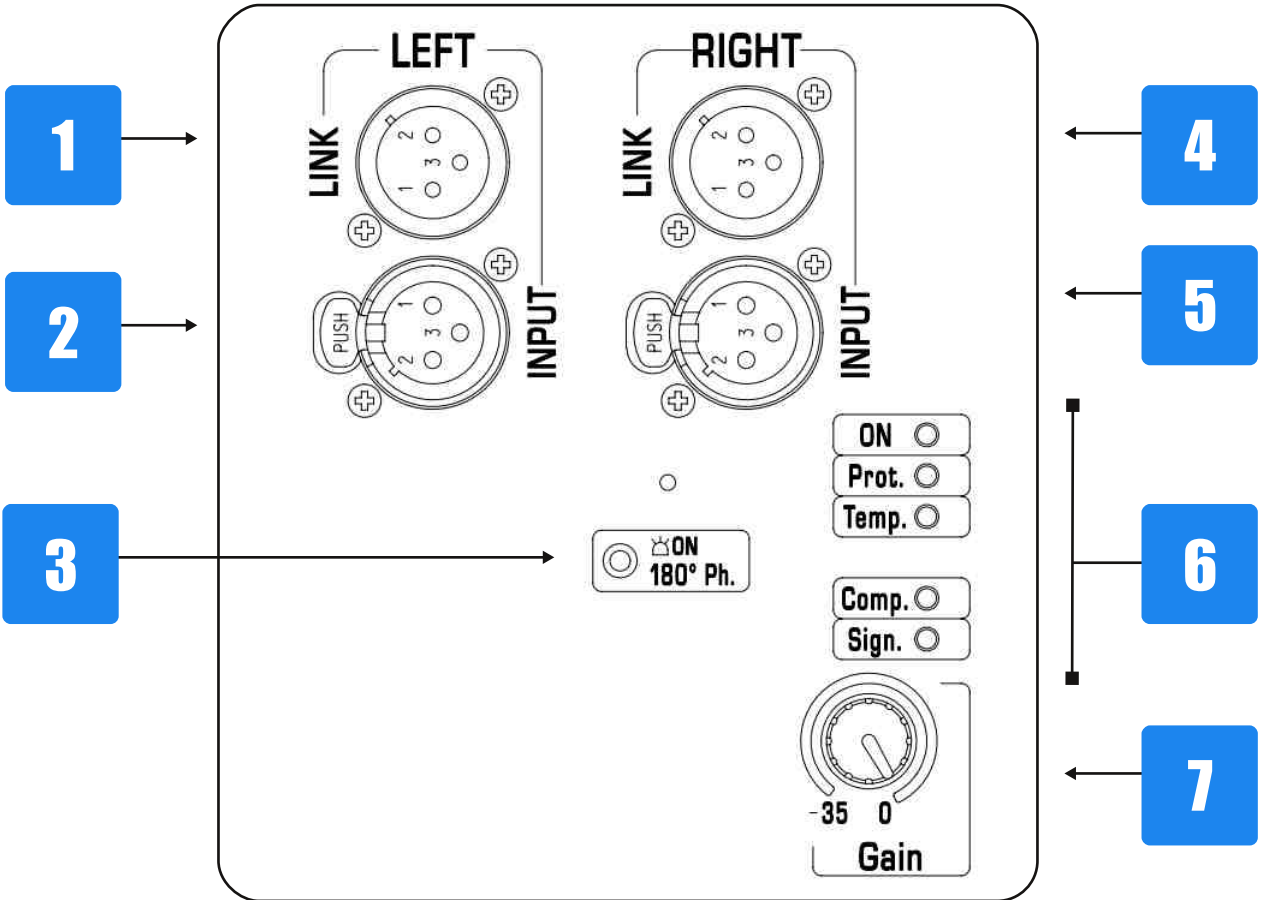


Bild A: Die Schalttafel

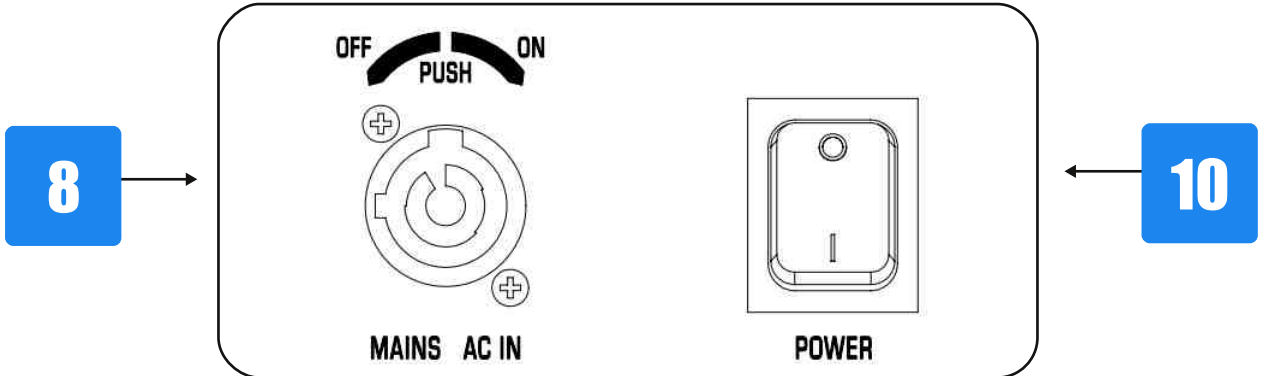


Bild B: Linken Kontrollen

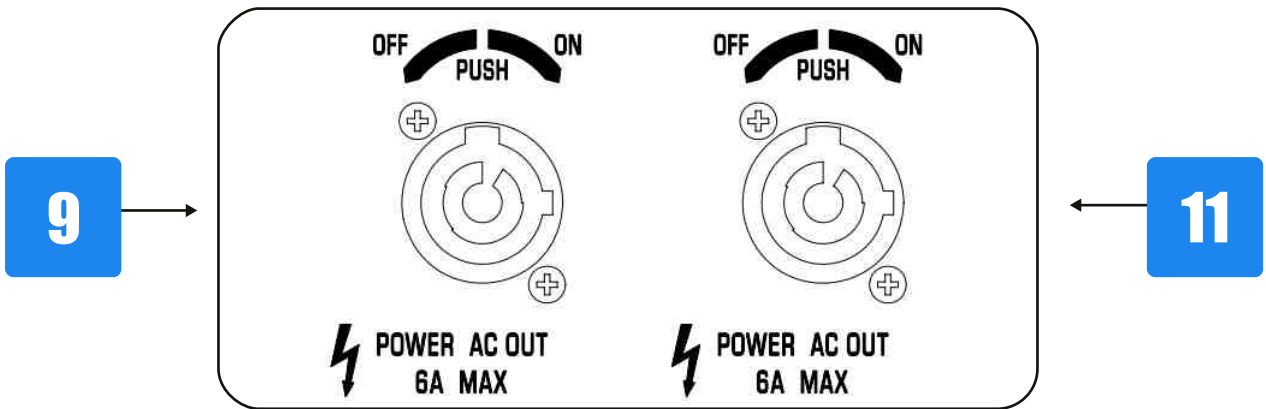


Bild C: Rechten Kontrollen





- 1 & 4. LEFT/RIGHT LINK: liefert die gleichen Signals, das über den LEFT/RIGHT INPUT (2&6) eingespeist wird und unterstützt so den Anschluss weiterer VERSE Einheiten an ein und dieselbe Signalquelle.
- 2 & 5. LEFT/RIGHT INPUT: symmetrierte XLR Buchse zur Einspeisung des zu verstärkenden Signals.
3. 180° Ph: invertieren der Phase des Eingangsignals.
6. LED's:
  - ON LED: leuchtet bei eingeschaltetem Lautsprecher.
  - Prot. LED: zeigt an, dass der Verstärker wegen eines internen Fehlers oder eines Fehlers in einem der angeschlossenen Lautsprecher, in den Schutzmodus geschaltet hat (bitte rufen Sie in einem solchen Fall die Telefon–Hotline an).
  - Temp. LED: zeigt an, dass der integrierte Verstärker wegen Überhitzung in den Schutzmodus geschaltet hat. In dieser Einstellung liefert der Verstärker nur noch die halbe Leistung. Bitte reduzieren sie das Eingangs–Level und erlauben dem Verstärker so, die normalen Betriebs– Bedingungen wieder herzustellen.
  - Comp. LED: zeigt Aktivitäten des Kompressors an. Wenn das Signal eine Sicherheitsmarke überschreitet, garantiert der Kompressor eine gute Klangqualität ohne akustische Verzerrungen, indem er ausschließlich die verzerrenden Frequenz dämpft. Das System arbeitet absolut sicher. Leuchtet die LED permanent, sollte die Stärke des Eingangssignals reduziert werden.
  - Sign. LED: zeigt ein anliegendes Signal an.
7. Gain: reguliert die Signal–Vorverstärkung in einem Bereich zwischen –35dB und 0dB.
8. Mains In: Verbinden Sie das mitgelieferte Netzkabel mit dem Stromnetz.
- 9 & 11. AC Power Out: Dient der Stromversorgung eines weiteren VERSE Lautsprechers. Achten Sie unbedingt darauf, dass das angegebene Leistungslimit nicht überschritten wird. Entsprechende Angaben finden Sie auf dem Chassis in der Nähe der grauen Anschlussbuchse.
10. POWER: Schaltet das Gerät ein/aus.





## POWERCON-VERBINDUNGEN

Dank der praktischen POWERCON-Anschlüsse und der LINK-Ausgänge an jedem Gerät, kann man einen separaten Anschluss der einzelnen Elemente an das Stromnetz und die dadurch entstehenden Probleme umgehen. Alle Verse-Systeme werden mit Spezialkabeln ausgeliefert, die paarweise aus einem POWERCON – und einem XLR – Kabel bestehen. Diese machen es möglich eine VERSE SUB MKII Box über eine zweite VERSE SUB MKII oder VERSE INSIDER MKII Einheit mit Strom und einem entsprechenden Signal zu versorgen. Die Subwoofer kommen mit einem doppelten Output Link, der die Realisation eines 2-Kanaligen Setups vereinfacht.

Wichtiger Hinweis: Beim Kauf eines einzelnen Verse-Lautsprechers z.B. als Ersatz- oder Ergänzungs-Box, müssen die passenden Custom-Kabel separat erworben werden.

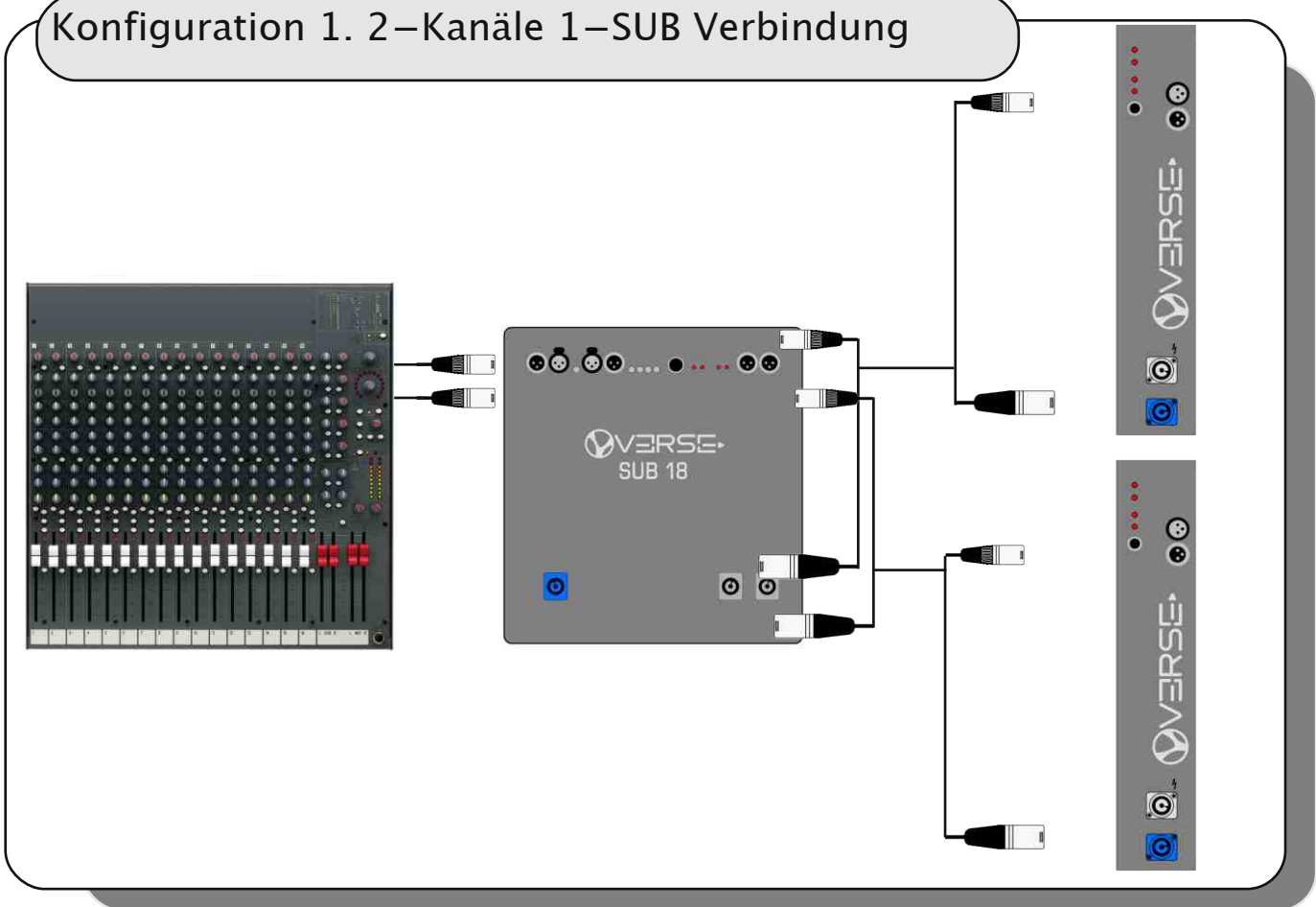


Der Powercon Stromnetz Anschluss

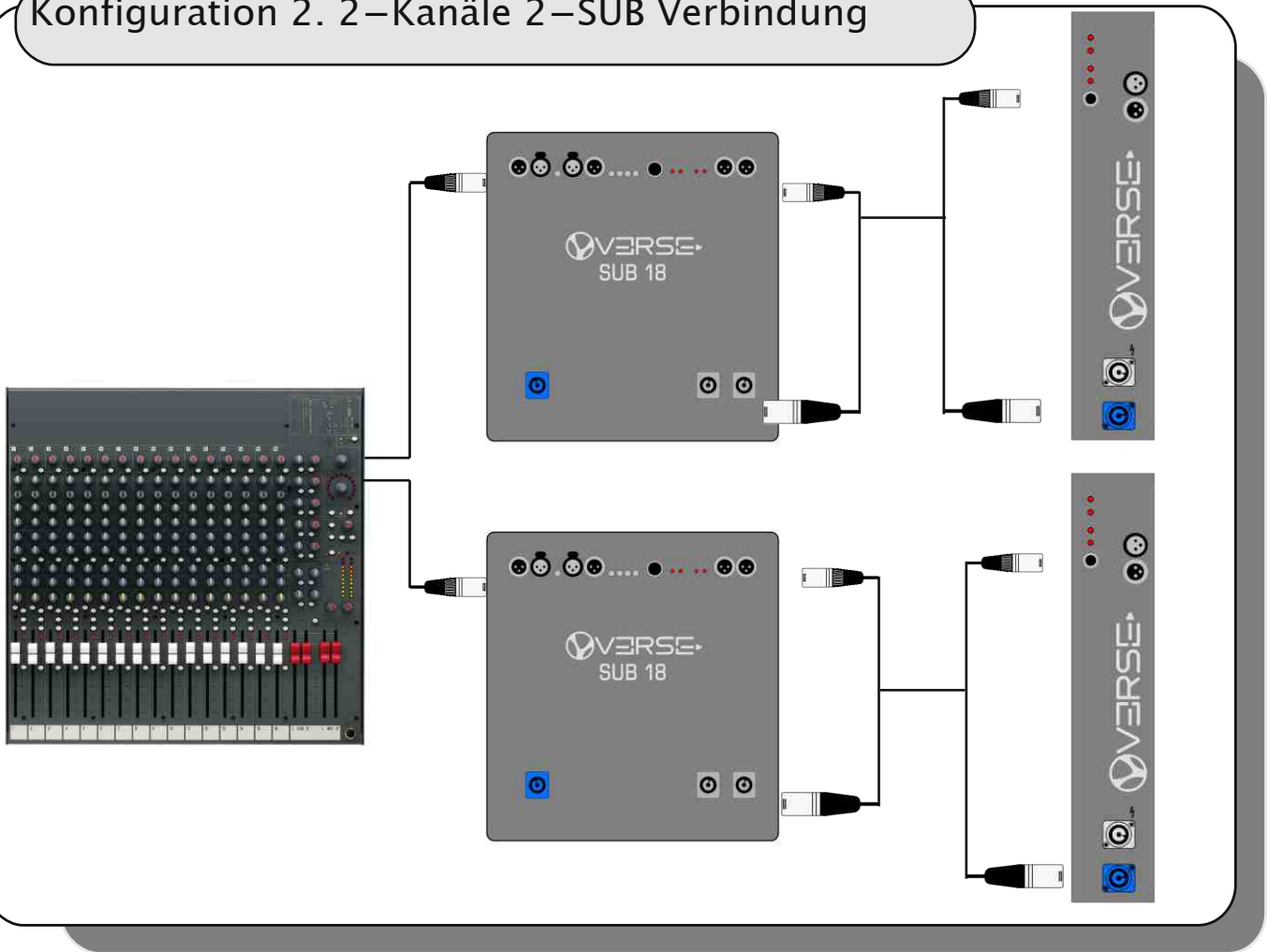


Die kundenspezifische Kabel im Lieferumfang der VERSE system

### Konfiguration 1. 2-Kanäle 1-SUB Verbindung



Konfiguration 2. 2-Kanäle 2-SUB Verbindung





**SICHERHEITSEMPFEHLUNG FÜR DISTANZSTANGEN**

Dieses Handbuch setzt voraus, dass die Besitzer und/oder Benutzer eines VERSE Systems Kenntnisse und Erfahrungen auf dem Gebiet Stativbenutzung mit Lautsprechersystemen besitzen.

Das Aufhängen großer schwerer Gegenstände an Distanzstangen an öffentlichen Orten unterliegt zahlreichen Gesetzen und Regelungen auf den National-/Bundes-, Staats-/Landes- und örtlichen Ebenen, auf die wir in diesem Handbuch nicht eingehen werden. Trotzdem muss der Benutzer verantwortlich sicherstellen, dass die Verwendung von jeglichen VERSE Systemen, deren Komponenten und allen Distanzstangen und dazu gehörigen Hardware unter allen Umständen und in allen Orten allen zutreffenden Gesetzen und Regelungen entspricht, die jeweils zu dem Zeitpunkt Gültigkeit haben.

BEI DER BENUTZUNG VON DISTANZSTANGEN BITTE DIE FOLGENDEN VORSICHTSMAßNAHMEN BEACHTEN:

DIE SPEZIFIKATIONEN DER DISTANZSTANGE ÜBERPRÜFEN, UM SICHERZUSTELLEN, DASS DAS GERÄT DAFÜR KONZIPIERT IST, DIE LAST DES LAUTSPRECHERS ZU TRAGEN.

BITTE BEFOLGEN SIE ALLE VORSICHTSMAßNAHMEN DES HERSTELLERS ZUR GEWÄHRLEISTUNG DER SICHERHEIT.

STELLEN SIE SICHER, DASS DIE OBERFLÄCHE, AUF DER DAS SYSTEM GESTAPELT WERDEN SOLL, EBEN, STABIL UND OHNE GEFÄLLE IST.

LEITEN SIE DIE KABEL SO, DASS WEDER KÜNSTLER, DAS PRODUKTIONSTEAM NOCH DAS PUBLIKUM DARÜBER STOLPERN KÖNNEN UND DEN LAUTSPRECHER UMKIPPEN. PRÜFEN SIE DIE DISTANZSTANGE UND DIE ZUGEHÖRIGE HARDWARE VOR JEDEM GEBRAUCH UND VERWENDEN SIE KEINE GERÄTE MIT ABGENUTZTEN, BESCHÄDIGTEN ODER FEHLENDEN TEILEN.

VERSUCHEN SIE NICHT MEHR ALS EINEN VERSE INSIDER MKII LAUTSPRECHER AUF EINE DISTANZSTANGE ZU STELLEN/MONTIEREN. SEIEN SIE IMMER VORSICHTIG WENN SIE DAS SYSTEM IM FREIEN AUFSTELLEN, UNERWARTETE WINDBÖEN KÖNNEN EIN SYSTEM UMKIPPEN. BEFESTIGEN SIE KEINE FAHNEN ODER ÄHNLICHES AN IRGEND EINEM TEIL EINES DER LAUTSPRECHERSYSTEME. SOLCHE ZUSÄTZE KÖNNTEN ALS SEGEL FUNGIEREN UND STABILITÄT STARK GEFÄHRDEN.

FALLS SIE NICHT SICHER SIND, DASS SIE DAS GEWICHT DES LAUTSPRECHERS ALLEIN BEWÄLTIGEN KÖNNEN, BITTEN SIE JEMAND, IHNEN DABEI ZU HELFEN, DIESEN AUF DIE DISTANZSTANGE ZU HEBEN.

Wenn man VERSE Lautsprecher auf eine Distanzstange im Zusammenhang mit einem dazugehörigen SUB MKII aufstellt, hängt die maximale Höhenplatzierung des Satelliten von den Abmessungen des SUB MKII ab.

Vorausgesetzt, dass Benutzer zur Verantwortung bezüglich der korrekten Installation und genauen Stabilitätskontrolle beauftragt werden, können diese Hinweisrichtlinien aus folgender Tabelle entnommen werden:

	INSIDER 8 MKII	INSIDER 10 MKII	INSIDER 12 MKII	INSIDER 15 MKII
SUB 10 MKII	max 90 cm	no	no	no
SUB 15 MKII	max 130cm	max 130cm	max 90cm	no
SUB 18 MKII	max 130cm	max 130cm	max 130cm	max 130cm
SUB 215 MKII	max 130cm	max 130cm	max 130cm	max 130cm

## ANWENDUNGS-VORSCHLÄGE

Die akustischen Eigenschaften eines Raums haben einen maßgeblichen Einfluss auf den von einem Soundsystem produzierten Gesamtklang. Dank der technischen Ausstattung (wie z.B. der optimalen Breite des Abstrahlbereichs) können mit VERSE Boxen die meisten üblichen negativen Raum-Eigenschaften minimiert oder sogar komplett kompensiert werden. Die Merkmale helfen dabei, das Ergebnis zu optimieren.

- Platzieren Sie die Boxen nie in den Ecken eines Raums oder in Nischen. Dies kann zu einer unangenehmen Verstärkung tiefer Frequenzen führen. Das Resultat ist ein „verwaschener“, undifferenzierter Klang.
- Stellen Sie die Boxen nicht in Richtung Wand auf. Auch dies führt zu einer Verstärkung tiefer Frequenzen. In Maßen eingesetzt lässt sich diesem Effekt aber auch etwas Positives abgewinnen. So hat man die Option dünn klingenden Sounds durch vorsichtiges Drehen der Boxen in Richtung Wand, mehr Fülle und Druck zu verleihen.
- Vermeiden Sie das direkte Aufstellen der Boxen auf Untergründen die einen Resonanzraum bieten. Dies kann zu Interferenzen und Feedbacks führen. Die besten Ergebnisse lassen sich in solchen Fällen erzielen, wenn Sie von vornherein Boxen-Ständer verwenden.
- Denken Sie daran, dass sich hohe Frequenzen im Vergleich zu Bässen, wesentlich zielgerichteter ausbreiten und dabei eine höhere Absorbtionsrate besitzen. Um garantieren zu können, dass das Signal den Zuhörer auch ausreichend stark erreicht, müssen die Boxen so aufgestellt werden, dass sie in direkter Linie mit den Köpfen der Zuhörer abstrahlen (ungefähr einen halben Meter/einen Meter über den Köpfen).
- In Gebäuden mit intensivem Hall (Kirche, Aula, Halle etc.) ist es empfehlenswert mit Dämmmaterialien wie Teppichen, Gardinen etc. zu arbeiten. Sollte das nicht möglich (oder nicht ausreichend) sein, erhöhen Sie zur Erzielung eines besseren Ergebnisses auf keinen Fall einfach nur die Lautstärke. Dies würde zu einer Verstärkung der Reflektionen und damit einer weiteren Verschlechterung des Sounds führen. Die beste Lösung liegt im Einsatz mehrerer Boxen, die im gesamten Raum verteilt werden (z.B. vorne+hinten; vorne+seitlich; vorne+seitlich+hinten).

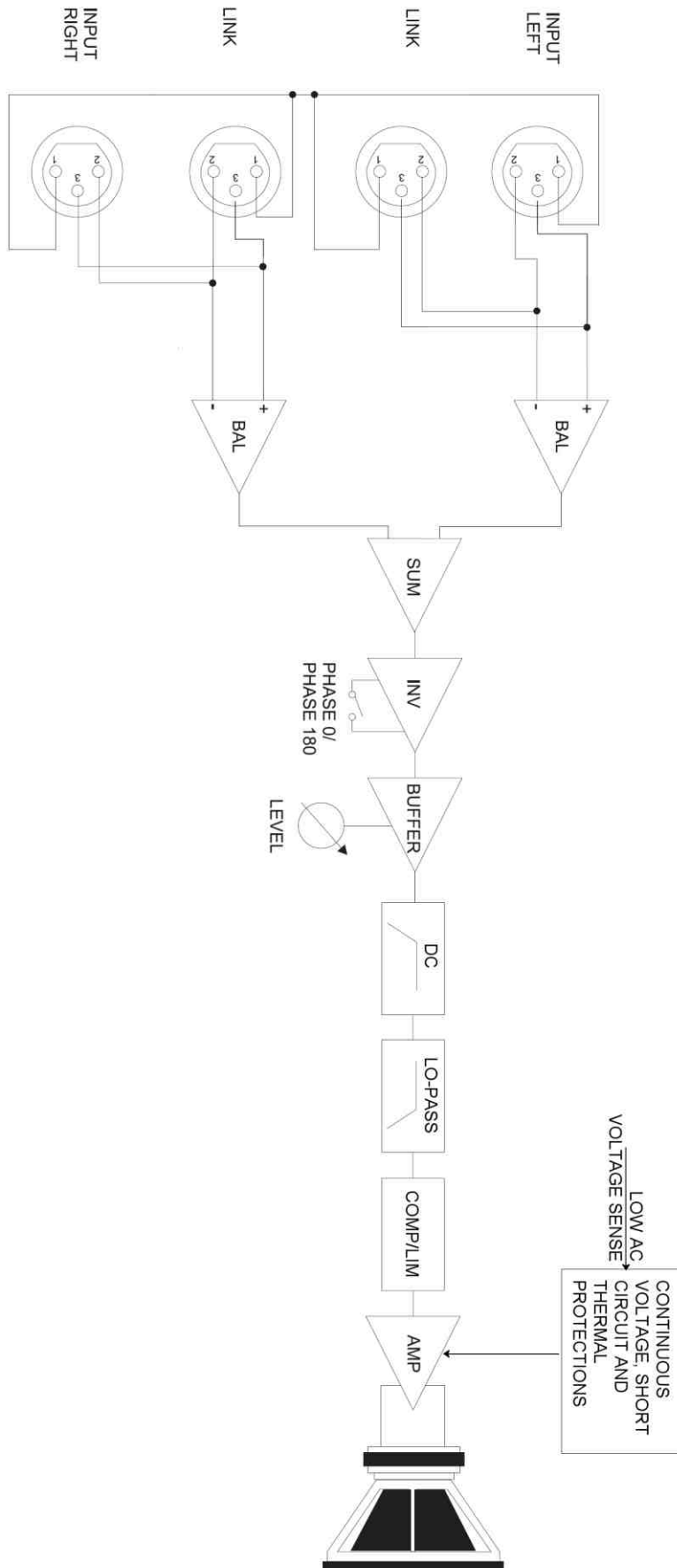


## TECHNISCHE DATEN

	SUB 10 MKII	SUB 15 MKII	SUB 18 MKII	SUB 215 MKII
Amplifier	1000 W	2000 W	2000W	3400W
Frequency response	50Hz–140Hz	42Hz–140Hz	38Hz–140Hz	42Hz–140Hz
Input sensitivity	0dBu	0dBu	0dBu	0dBu
Max SPL average *	126dB	131dB	133dB	136dB
Subsonic filter	Yes	Yes	Yes	Yes
Active protective circuitry	Thermal, overload, short circuit	Thermal, overload, short circuit	Thermal, overload, short circuit	Thermal, overload, short circuit
Nominal impedance	input bal 15Kohm	input bal 15Kohm	input bal 15Kohm	input bal 15Kohm
Connections	2x female XLR L–R input, 2x male XLR L–R link outputs, 2x male XLR L–R line outputs, 1 powercon AC input, 2x powercon AC link out	2x female XLR L–R input, 2x male XLR L–R link outputs, 2x male XLR L–R line outputs, 1 powercon AC input, 2x powercon AC link out	2x female XLR L–R input, 2x male XLR L–R link outputs, 2x male XLR L–R line outputs, 1 powercon AC input, 2x powercon AC link out	2x female XLR L–R input, 2x male XLR L–R link outputs, 2x male XLR L–R line outputs, 1 powercon AC input, 2x powercon AC link out
<b>WOOFER</b>	10" Neodimium	15" Neodimium	18" Neodimium	2x15" Neodimium
Magnet	Neodimium	Neodimium	Neodimium	Neodimium
Voice Coil	Ventilated 2.5" Copper	Ventilated 4" Copper	Ventilated 4" Copper	Ventilated 4" Copper
Former Material	Fiber Glass	Fiber Glass	Fiber Glass	Fiber Glass
<b>CONSTRUCTION</b>				
Cabinet	Laminated birch plywood	Laminated birch plywood	Laminated birch plywood	Laminated birch plywood
Finish	Black scratch–resistant paint	Black scratch–resistant paint	Black scratch–resistant paint	Black scratch–resistant paint
Protection	Metal grid and foam	Metal grid and foam	Metal grid and foam	Metal grid and foam
Pole mount	1 top side	1 top side	1 top side	1 top side
Trolley Available	no	yes	yes	yes
Dimensions (HxWxD) mm	370x350x560	586x456x566	640x640x700	500x860x600
Weight	19Kg	32Kg	45Kg	50Kg

\* calculated

**BLOCK-DIAGRAMM**





**Entsorgung von alten Elektro- und Elektronikgeräten (gültig in der Europäischen Union und anderen europäischen Ländern mit separatem Sammelsystem)**

**Dir. 2002/95/CE, 2002/96/CE e 2003/108/CE**

Dieses Symbol auf dem Produkt oder auf der Verpackung bedeutet, dass dieses Produkt nicht wie Hausmüll behandelt werden darf. Stattdessen soll dieses Produkt zu dem geeigneten Entsorgungspunkt zum Recyceln von Elektro- und Elektronikgeräten gebracht werden. Wird das Produkt korrekt entsorgt, helfen Sie mit, negativen Umwelteinflüssen und Gesundheitsschäden vorzubeugen, die durch unsachgemäße Entsorgung verursacht werden könnten; Das Recycling von Material wird unsere Naturressourcen erhalten. Für nähere Informationen über das Recyceln dieses Produktes kontaktieren Sie bitte Ihr lokales Bürgerbüro, Ihren Abholservice oder das Geschäft, in dem Sie dieses Produkt gekauft haben.





Verse is a trademark of  
VISCOUNT INTERNATIONAL S.p.a.  
Via Borgo 68/70  
I-47836 Mondaino (RN) Italy  
Tel. +39 0541 98 17 00  
Fax +39 0541 86 96 05  
email: [contact@verseaudio.com](mailto:contact@verseaudio.com)  
Website: [www.verseaudio.com](http://www.verseaudio.com)

---

Le informazioni contenute nel presente documento sono state redatte e controllate con attenzione. Tuttavia VISCOUNT declina ogni responsabilità in merito ad eventuali inesattezze. Tanto le informazioni contenute in questo documento, quanto le specifiche dei prodotti ai quali fa riferimento sono soggette a modifiche senza preavviso. VISCOUNT non assume alcuna responsabilità sull'uso o sull'applicazione dei prodotti descritti in questo documento. Ogni eventuale citazione di nomi, prodotti e società ha il solo scopo di illustrare l'uso dei prodotti qui descritti. Nomi, logo e marchi eventualmente riportati appartengono ai rispettivi proprietari. Tutti i diritti sono riservati e nessuna parte di questo documento può essere riprodotta in alcuna forma, in alcun modo e per alcuno scopo senza il permesso scritto di VISCOUNT

The information in this document has been drafted and checked with care. However VISCOUNT declines all responsibility for any inaccuracies. Both the information in this document and the product specifications to which it refers are subject to amendment without notice. VISCOUNT does not accept any responsibility with regard to the use or application of the products described in this document. Any references to names, products and companies is for the sole purpose of illustrating the use of the products described herein. Any names, logos and brands referred to belong to their respective owners. All rights reserved; the reproduction of any part of this document, in any form and for any purpose without VISCOUNT's specific written permission is forbidden.