



Professional Audio



D:SIDER SERIES

Active Speakers

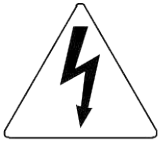
EN – User's Manual
IT – Manuale Utente
DE – Benutzerhandbuch

Ver. 2.0 PT

www.verseaudio.com

IMPORTANT SAFETY INSTRUCTIONS

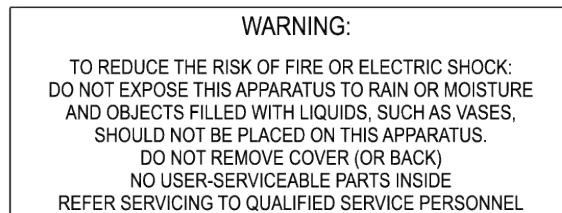
WARNING: READ THIS FIRST!



This symbol is intended to alert the user to the presence of uninsulated "dangerous voltage" within the product's enclosure that may be of sufficient magnitude to constitute a risk of electric shock to persons.



This symbol is intended to alert the user to the presence of important operating and maintenance (servicing) instructions in the literature accompanying the appliance.



"INSTRUCTIONS PERTAINING TO A RISK OF FIRE, ELECTRIC SHOCK OR INJURY TO PERSONS"

WARNING:

- 1) Read these instructions.
- 2) Keep these instructions.
- 3) Heed all warnings.
- 4) Follow all instructions.
- 5) Do not use this apparatus near water.
- 6) Clean only with dry cloth.
- 7) Do not block any ventilation openings. Install in accordance with the manufacturer's instructions.
- 8) Do not install near any heat sources such as radiators, heat registers, stoves or other apparatus (including amplifiers) that produces heat.
- 9) Do not defeat the safety purpose of the polarized or grounding-type plug. A polarized plug has two blades with one wider than the other. A grounding type plug has two blades and a third grounding prong. The wider blade or the third prong are provided for your safety. If the provided plug does not fit in to your outlet, consult an electrician for replacement of the obsolete outlet.
- 10) Protect the power cord from being walked on or pinched, particularly at plugs, convenience receptacles, and the point where they exit from the apparatus.
- 11) Only use attachments/accessories specified by the manufacturer.
- 12) Use only with the cart, stand, tripod, bracket, or table specified by the manufacturer, or sold, with the apparatus. When a cart is used, use caution when moving the cart/apparatus combination to avoid injury from tip-over.
- 13) Unplug this apparatus during lightning storms or when unused for long periods of time.
- 14) Refer all servicing to qualified service personnel. Servicing is required when the apparatus has been damaged in any way, such as power-supply cord or plug is damaged, liquid has been spilled or objects have fallen into the apparatus, the apparatus has been exposed to rain or moisture, does not operate normally, or has been dropped.



NOTE: The socket-outlet shall be installed near the equipment and shall be easily accessible.

SAVE THESE INSTRUCTIONS



CONTENTS

Important Notes..... 2

Overview..... 3

Controls and Connections..... 6

DSP controls..... 8

Powercon connections..... 10

RS-485 connections..... 12

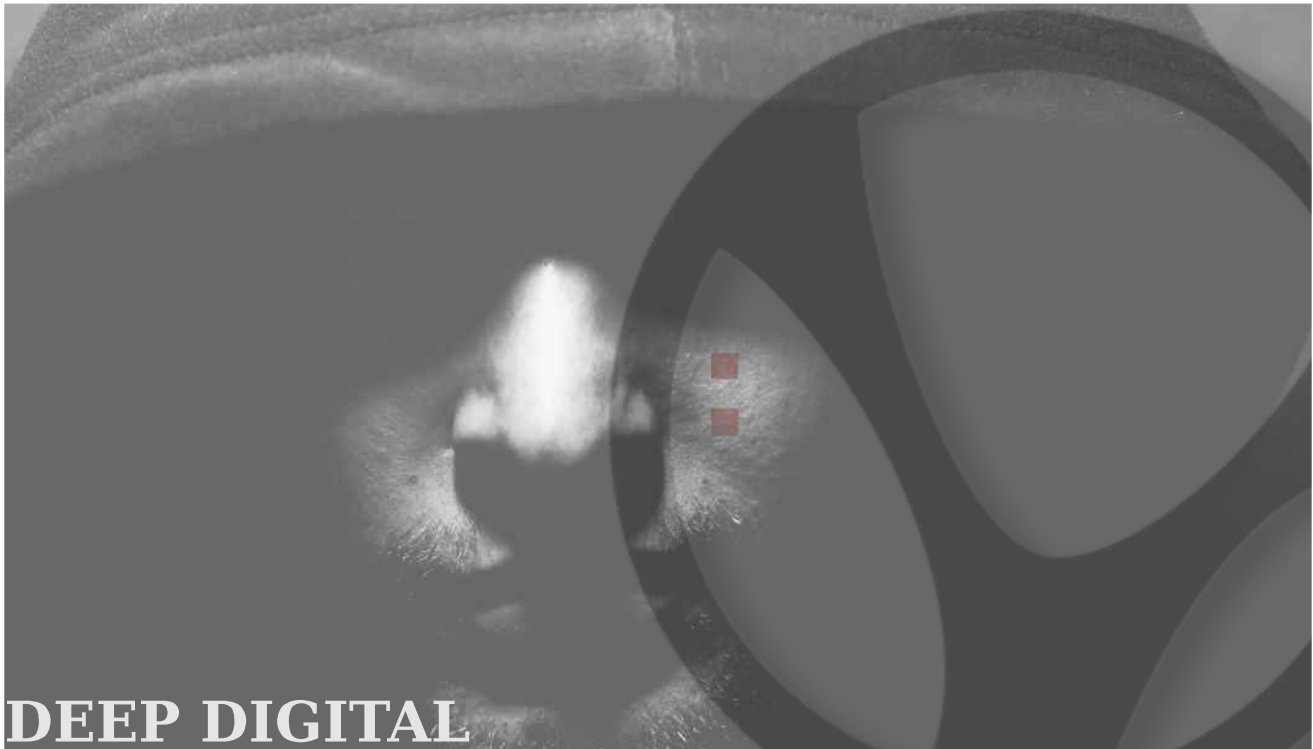
Horn Rotation..... 13

Speaker installation..... 14

Usage Suggestions..... 18

Technical Specification..... 19

Block Diagram..... 20



OPEN SYSTEMS FOR OPEN MINDS

We live in a universe of sounds.

Sounds to be captured and reproduced, which can just accompany our life, but can also be exalting and exciting. We were convinced we could reproduce this universe of sound in a new way - which is why we created Verse. New manufacturing technologies for amplifiers and loudspeakers, combined with a full digital control from the input socket up to the loudspeaker coil, made us decide to accept this challenge. In fact, Verse is total sound purity, giving results whose quality is unrivalled in such small dimensions.

Verse systems are built to astonish for their incredible quality and, thanks to their compactness and light weight, can always fit in alongside you anywhere. Follow us in our new venture and make it yours, re-discovering your universe of sounds.

The Verse team



THANK YOU FOR CHOOSING A VERSE D:SIDER SERIES PRODUCT.

THIS GUIDE WILL GIVE YOU INFORMATIONS AND USEFUL TIPS FOR A CORRECT USE OF YOUR D:SIDER SYSTEM.

THE VERSE STAFF WISHES YOU GOOD WORK AND... HAVE FUN!

IMPORTANT NOTES

LOOKING AFTER THE PRODUCT

- Never apply excessive force to the structures or controls (knobs, switches).
- Do not stress the speaker in transit or during use.
- Do not place the device close to heat sources, in damp or dusty places or close to strong magnetic fields.
- When possible, do not place the speaker close to units which generate strong interference, such as radio and TV sets, monitors, etc.
- Never insert objects or liquids of any kind inside the device, for any reason.
- Clean using a soft brush or an air jet only; never use detergents, solvents or alcohol.
- When disconnecting cables from sockets, always take hold of them by the connector and not by the cable itself, and when winding take care to avoid knots or twisting.
- Do not expose the speaker to direct sunlight.

CONNECTING TO THE MAINS

- To avoid the risk of electric shock, do not make connections with wet hands.
- Make sure that the mains voltage is the same as that indicated on the control panel.
- Connect the speaker to a mains socket with earth contact.

CONNECTING TO A MIXER

- Always use good quality screened cables.
- Before making the connections, check that all the speakers you are about to connect are switched off. You will avoid noisy, if not hazardous, signal peaks.

IN CASE OF MALFUNCTION

- In case of malfunction, contact only an authorised service centre.



OVERVIEW

Verse speakers are developed from the idea that speech and music satisfy us when they are intelligible, undistorted and pleasant to listen to. There's no such thing as a system suited to one musical genre or another - these are just illusions caused by our personal taste. A real sound system can follow you anywhere: whether you're in a lounge bar accompanying an aperitif, in a traditional theatre, or just outdoors with a few instruments or a large orchestra. In order to do this we applied the latest design, manufacturing technologies and DSP processing, and that's what gives Verse systems a huge reserve of dynamics, which can be heard when the need arises.

The experience of listening to Verse will enable you to discover many new horizons – a real uniVerse:

- really precise presence for vocals, with a clear image of the other instruments
- natural, dynamic low frequencies that are not pumped up, but give an unforgettable physical sensation
- crystal-clear high frequencies that are upfront, but never disturb
- a great natural reaction to equalization, to satisfy users' personal taste, thanks to the great reserve of dynamics and the capacity of the new transducers

TECHNOLOGY

DIGITAL AMPLIFIERS

The new digital technology totally changed the way a professional audio amplifier is developed. No other way make possible to give great power and long term reliability. Remarkable heat reduction and outstanding weight decrease make digital amplifier, that equip VERSE D:SIDER, efficient, powerful and less heating. The output stages of the amplifiers typically run at 95% efficiency, dissipating only 5% of the input energy as heat.

Moreover the efficiency doesn't depend on the output level, and Since standard music has an average power density of 40% of the maximum level, conventional amplifiers can easily generate 10 times more heat than VERSE ones for the same volume of sound.

To grant reliability and durability, VERSE amplifiers are provided with short-circuit protection, thermal protection with fan-speed control (that avoid temperature rising over 60° C) and amplifier disactivation system thus preventing amplifier breakdown if temperature rise to intolerable values.

And also: protection circuit to cancel direct current component, protection from ultrasonic components in input and output. The I.T.P (Intelligent Thermal Protect) is warranty of perfect-working and long-lasting speakers.



TOP QUALITY COMPONENTS

Together with high performance amplifiers, VERSE decided to put speakers conceived specifically to do their best with a so remarkable reserve of power.

The woofers are made with neodymium magnets that allows the highest force factor and excursion capability, and with ventilated voice coil gap for reduced power compression. With such components it's easier to obtain huge excursions, "present" and dynamic bass, high acoustic pressure and mild weights.

The horns, spheric waveguide type, are asymmetrical and can be turned to have a controlled dispersion cone of 50° in a direction and 100° in the opposite one. This feature let every speaker to be used as a satellite in a system or a monitor speaker.

The drivers are made with neodymium magnets and are provided with aluminium coil winding that increase the efficiency in the high frequency range, extend the frequency response, achieve a better factor of acceleration and a higher reliability.

DIGITAL PROCESSING

The processing system included in every D:SIDER loudspeaker is based on a performing DSP processor with PC-based remote control using dedicated software. Sophisticated and innovative processing algorithms have been implemented to ensure total protection of all system components without sacrificing the dynamic of the sound source. Digital Limiters switch on when transducers safety conditions or maximum amplifier power are going to be exceeded, preventing the loudspeakers from being supplied with higher volume input signals. Along the processing path a powerful 12 bands feedback remover is placed, detecting any incoming feedback and immediately suppressing it, without any phase distortion.

The processing unit includes as well a multi-band compressor, a delay line, six full parametric equalizers and a dynamic loudness controller. The digital delay line makes it possible to compensate for vertical alignment differences between subwoofer and satellites or to create distributed lines of speakers whose output reaches the listening point simultaneously, eliminating echo effects.

The multicompressor and the Dynamic Loudness section can be extremely useful for the system's dynamic EQ. While the Dynamic Loudness try to adapt the output level according to the well known "Fletcher&Munson" curves, in order to keep the original sound richness also at low level signals, the Multicompressor offers a more deep capability to modify and manipulate the dynamic range of the audio signal.

A six band full parametric EQ may be used to tune the overall audio response to the need: adapting the frequency response to the ambience, to the musical genre or speaker voice, to the peculiar use of the moment, to personal tastes, etc.



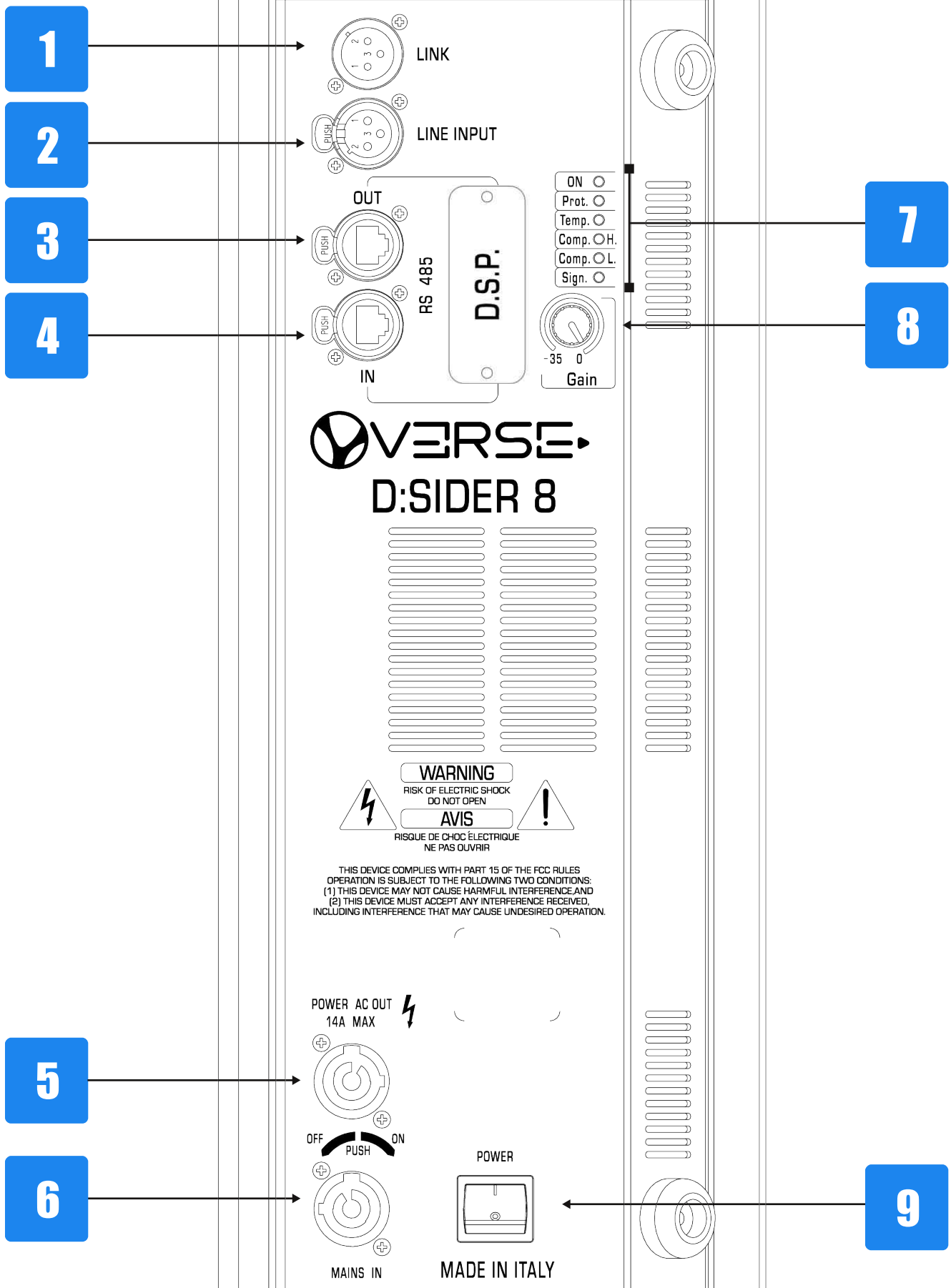
D:SP EDITOR

To easily customize every parameter of your loudspeakers a PC editor program is available. This allows to connect to the speakers, editing equalizers and parameters, but also displaying levels, and checking the status and "health" of every single loudspeaker connected to this network, showing real time temperature, signal overloads, limiter activities and other status information of the D:SIDER.



Two screenshots from the D:SP editor available optionally

CONTROLS AND CONNECTIONS



VERSE
D:SIDER 8

WARNING
RISK OF ELECTRIC SHOCK
DO NOT OPEN

AVIS
RISQUE DE CHOC ELECTRIQUE
NE PAS OUVRIR

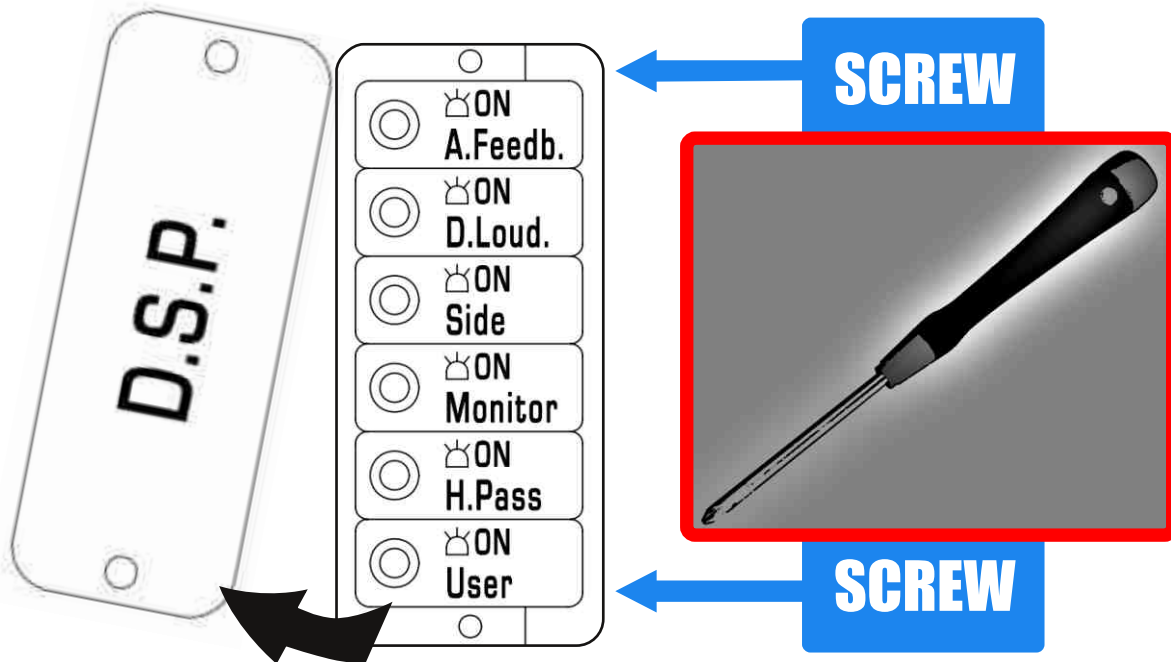
THIS DEVICE COMPLIES WITH PART 15 OF THE FCC RULES
OPERATION IS SUBJECT TO THE FOLLOWING TWO CONDITIONS:
(1) THIS DEVICE MAY NOT CAUSE HARMFUL INTERFERENCE AND
(2) THIS DEVICE MUST ACCEPT ANY INTERFERENCE RECEIVED,
INCLUDING INTERFERENCE THAT MAY CAUSE UNDESIRE OPERATION.



1. Link: sends on output the same signal coming from LINE INPUT connector. This allow the cascade connection of different devices to the same sound source.
2. Line input: balanced XLR socket for connection of the signal to be amplified.
3. RS485 OUT : Etherconn connector to connect to the digital network. Use to connect to the RS485 IN input of the next speaker along the daisy chain.
4. RS485 IN : Etherconn connector to connect to the digital network. Plug here the cable coming from the RS485 OUT connector of the previous speaker in the daisy-chain, or the USB-485 interface (D:SP INTERFACE) output if the speaker is the first in the chain.
5. AC Power Out: easily connect another VERSE speaker to the mains. Pay attention not to exceed the limit reported on the chassis near the grey connector.
6. Mains In: connect the mains cable supplied from the factory with the loudspeaker to this socket.
7. LEDs:
 - ON LED: indicates that the speaker is On.
 - Prot. LED: indicates that the internal amplifier switched to protection mode due to a fault of the amplifier itself or of the connected speakers (please call the technical support).
 - Temp. LED: indicates that the internal amplifier switched to protection mode due to excessive heating. In this condition, the amplifier supply half the normal power. Please reduce the input signal to allow the restore of normal load conditions.
 - Comp. H. LED: indicates activity of the High frequency compressor. If the signal passes over a safety threshold, the compressor guarantees a good quality playback without acoustic distortion, damping the appropriate signal frequencies. The system operates in total safety. If the LED is constantly On, there is an excess of signal. In this case, please reduce the incoming signal level.
 - Comp. L. LED: indicates activity of the Low frequency compressor. If the signal passes over a safety threshold, the compressor guarantees a good quality playback without acoustic distortion, damping the appropriate signal frequencies. The system operates in total safety. If the LED is constantly On, there is an excess of signal. In this case, please reduce the incoming signal level.
 - Sign. LED: indicates that the signal is present.
8. Gain: to adjust the signal gain in the range from -35dB to 0dB .
9. POWER: Switches the power on/off.

DSP CONTROLS

All the D:SIDER series speakers are equipped with a powerful DSP (Digital Signal Processor) which manages the entire signal processing flow. Some of the advanced functions are ready to use via the simple interface made out of six LED–lighting switches, accessible when removing the "DSP" panel as shown in the figure. Every function, described below, can be activated pressing the proper switch. When the LED is on the DSP function is activated.



The list of LED–switches follows with a description:

- A.Feedb: activates the Automatic Feedback Remover. This consists in an automatic system constantly monitoring the signal for acoustic feedback phenomena, steadily suppressing them with 12 adaptive notch filters. The system detects potential feedback arising, localizes the exact frequency and activates a very narrow notch filter (with Q factor up to 1/40 octave) on the given frequency.
- D.Loudn: activates a dynamic equalization of the system, to compensate the natural sensibility curve of the human ear, which is weaker on low and high frequencies, when the sound volume is low. The equalization is dynamic, allowing to regulate continuously the amount, according to the signal level, fading away when the volumes get to the highest levels.
- Side: activates a specific equalization, expressly studied to allow the use of two D:SIDER speakers side by side.
- Monitor: activates a specific equalization, expressly studied to allow the use of a D:SIDER as a Monitor speaker.



- H.pass: activates a High–Pass filter, expressly made to join the speaker together with a Subwoofer of the D:SUB series. When this filter is turned off, the speaker behaves like a full–range speaker, while when the filter is activated the speaker behaves like a "satellite" of the Subwoofer.
- User: activates the "user settings", prepared with the proper software editor, D:SP EDITOR sold separately. Whenever the previous setting is not adequate to the peculiar use case, it can be deactivated, switching back to the factory settings.

Note: The "User" preset is not set by factory, which means the speaker configuration remains the same either the User LED is turned On or Off, until a user setting is not configured.

AUTOMATIC FEEDBACK REMOVER

Please note the followings:

- The Automatic Feedback Remover can't totally remove any feedback phenomenon, but can drastically reduce these, permitting to use the system at higher volumes and in critical conditions (microphones in front of the speakers, microphones moving along the stage, etc).
- When the Automatic Feedback Remover is active, if at least one of the 12 filters is working on a specific frequency, the LED blinks.
- To remove every active filter, for example when the position of microphones and speakers is changed, press the A.Feedb. switch for approx. 3 seconds. The LED will stop blinking, while remaining on, indicating that none of the filters is placed on a specific frequency.

POWERCON CONNECTIONS

The Powercon connectors make the system very practical and, thanks to the LINK OUTPUT on each enclosure, avoid the problem of having to run a power feed to each element.

All VERSE Systems are provided with special customized cables made of a pair of powercons and balanced XLR connectors. Therefore it is possible to provide for signal and power a VERSE D:SIDER from another VERSE D:SIDER or a VERSE D:SUB. Subwoofers feature a double output link to simplify the left and right audio channels.

Please note: the purchase of a spare VERSE speaker (i.e: not buying it in a –k system) doesn't include the customized cables.

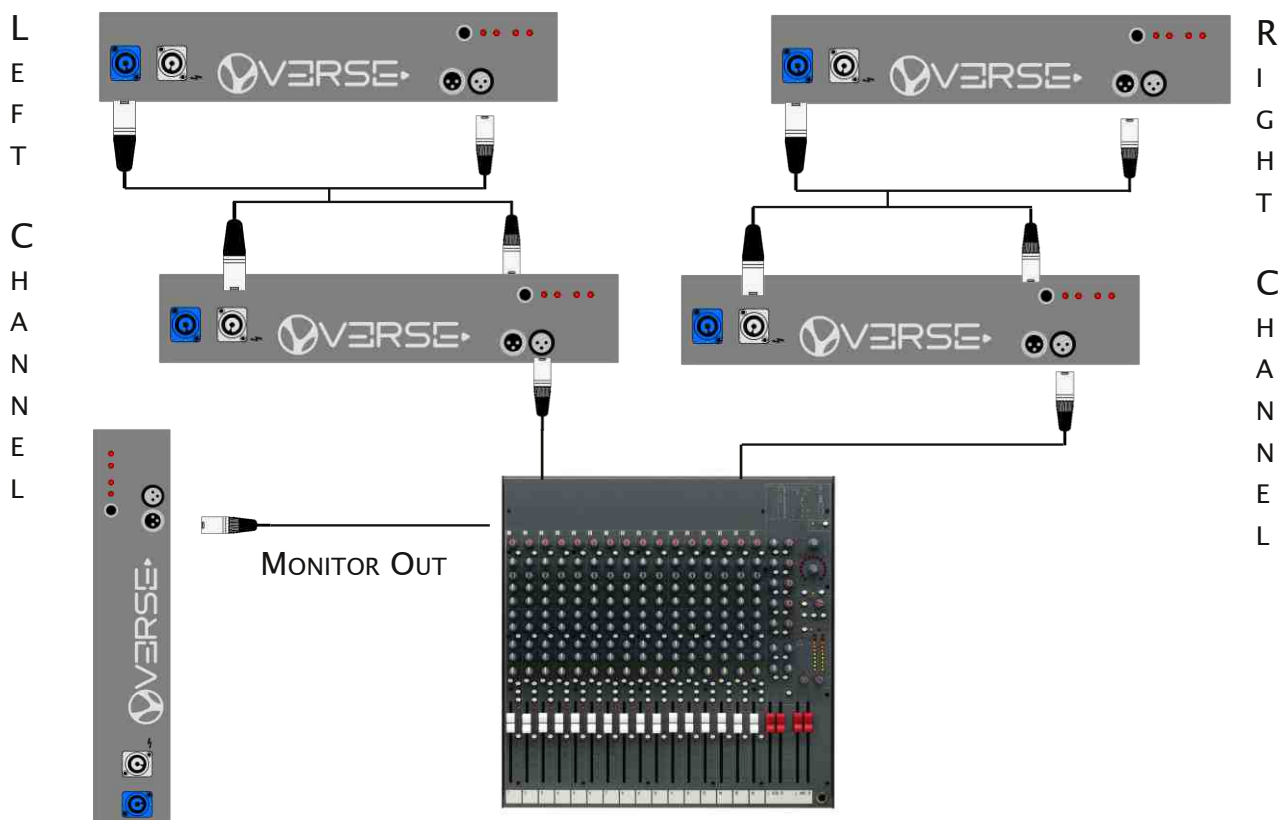


Detail of a Powercon main input



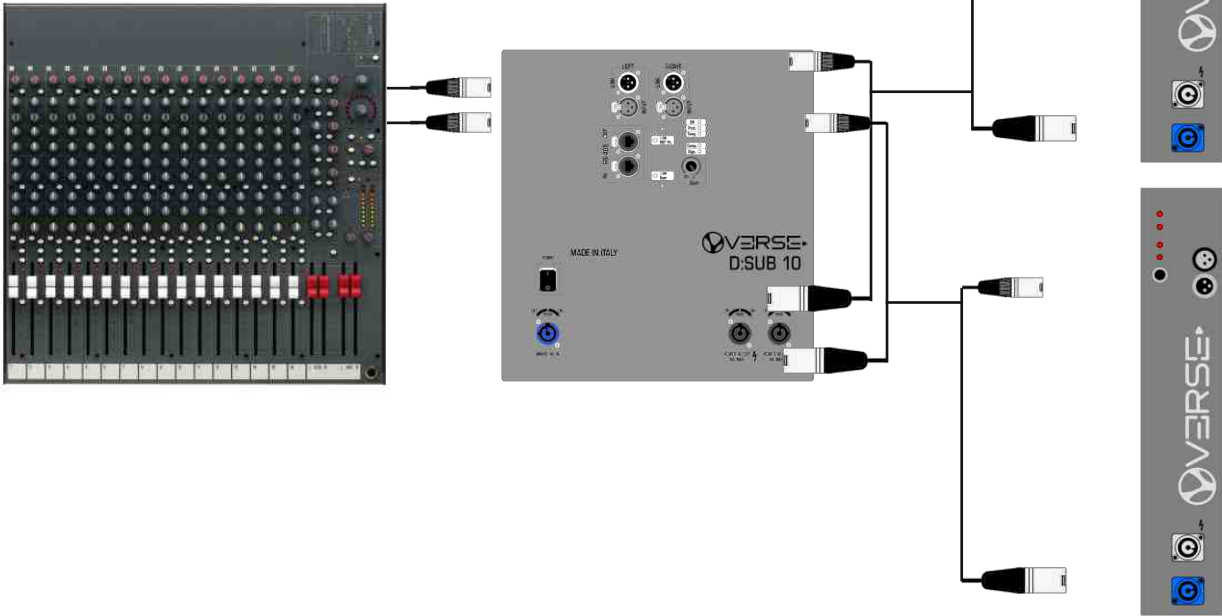
The customized cable provided with VERSE speakers.

Configuration 1. Direct Mixer connection + Monitor

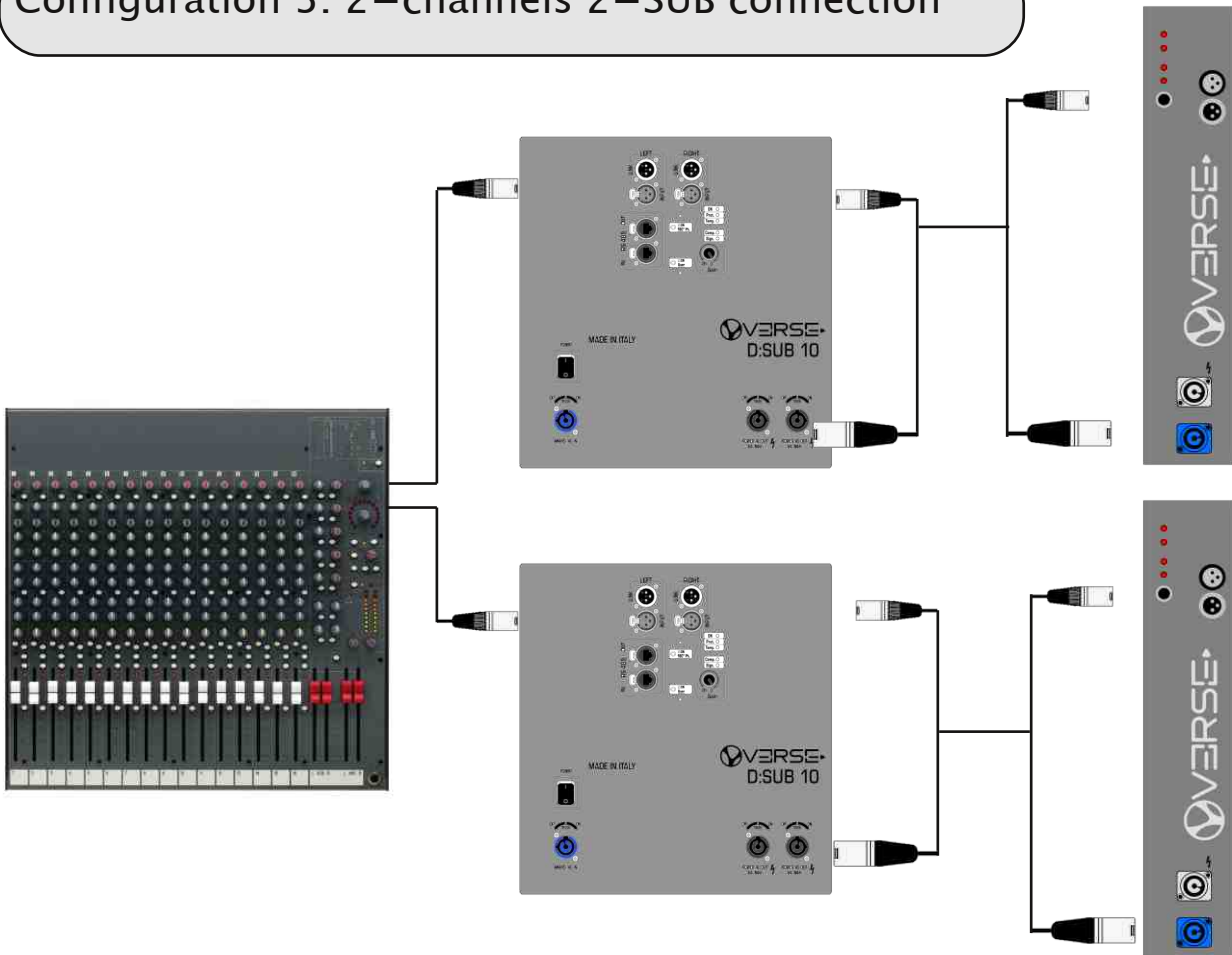




Configuration 2. 2-channels 1-SUB connection



Configuration 3. 2-channels 2-SUB connection



RS-485 CONNECTIONS

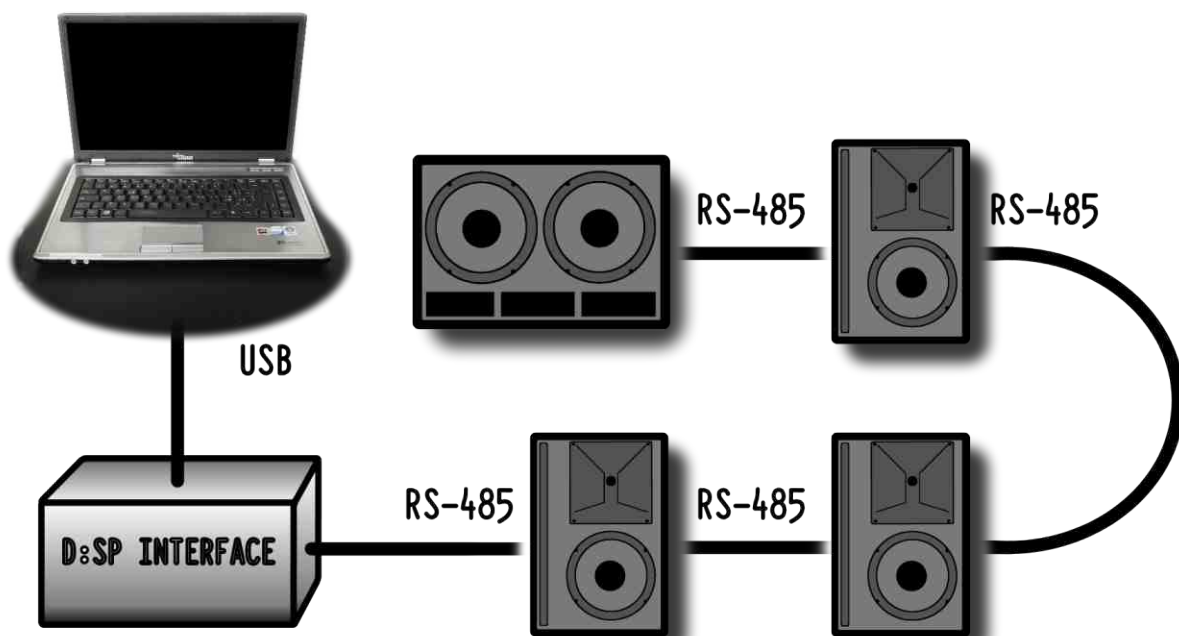
In addition to the DSP functionalities, directly accessible on the speaker, described in the previous paragraph, it's possible to control in a broader way the speaker of the D:SIDER series using an RS485 remote control interface and a personal computer. An optional USB-485 interface (D:SP INTERFACE) and a personal computer software (D:SP EDITOR) are available to the purpose. In this way it's possible to control a large amount of parameters within the signal processing and to monitor in real time important aspects of the speakers functioning.

With a single USB-485 it is possible to connect in daisy chain up to 127 different speakers.

For a complete description please refer to the D:SP EDITOR + D:SP INTERFACE user manual. It is anyway possible to have a preview of the available functionalities, installing on a personal computer the DEMO version of that software, that can be found in the attached CD or be downloaded from the official site www.verseaudio.com

Note: to connect the D:SIDER speakers to the network use only high quality Ethernet cables of the CAT5 type.

An example of a daisy chain network for the VERSE D:SIDER systems is shown in figure below.



Warning: even if the digital D:SP Verse network is made of common Ethernet cables, IT IS NOT an Ethernet network, therefore IT IS NOT possible to connect the D:SIDER speakers to Ethernet devices. It is, instead, necessary to make use of the proper VERSE D:SP INTERFACE (USB-485), available as optional.



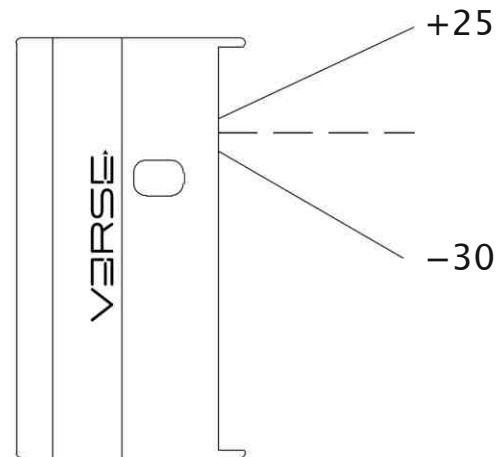
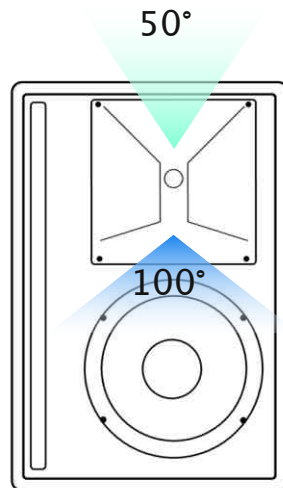
HORN ROTATION

All the models of the D:SIDER line feature a rotatable horn with asymmetrical dispersion angles. By removing the four screws positioned in the corners of the horn, it is possible to rotate the horn, adjusting the dispersion angle in the case the speaker is used in a horizontal position.



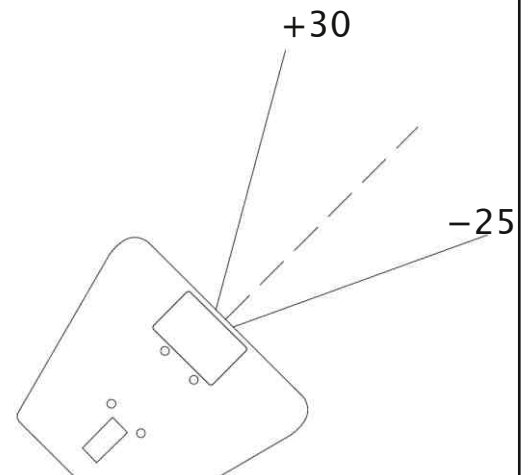
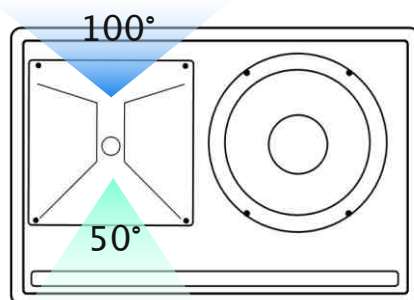
"FRONT OF HOUSE" CONFIGURATION

The horn covers all the audience: from the closest listeners to distant areas. For the majority of applications, the asymmetrical horn should be used with its wide dispersion side directed towards the floor (as shown in figure at right side).



"STAGE MONITOR" CONFIGURATION

For floor monitor use the horn must be rotated with its wide dispersion side directed towards the top (as shown in the figure) in order to cover the performer whether he's near the speaker or away from it.



SPEAKER INSTALLATION

The D:SIDER speakers can be installed in order to fit a wide range of possible situations. The hole placed in the bottom side of a D:SIDER speaker allows it to be mounted on top of a pole alone or over a D:SUB speaker, which presents a proper hole in the top side. Besides that, the speaker can stand flown with the use of an optional flying kit.

The VERSE flying kit sold for D:SIDER speakers includes:

- 2x flying bar
- 4x doubles stud&ring
- 16x screws
- 1x eyebolt
- 1x hex key

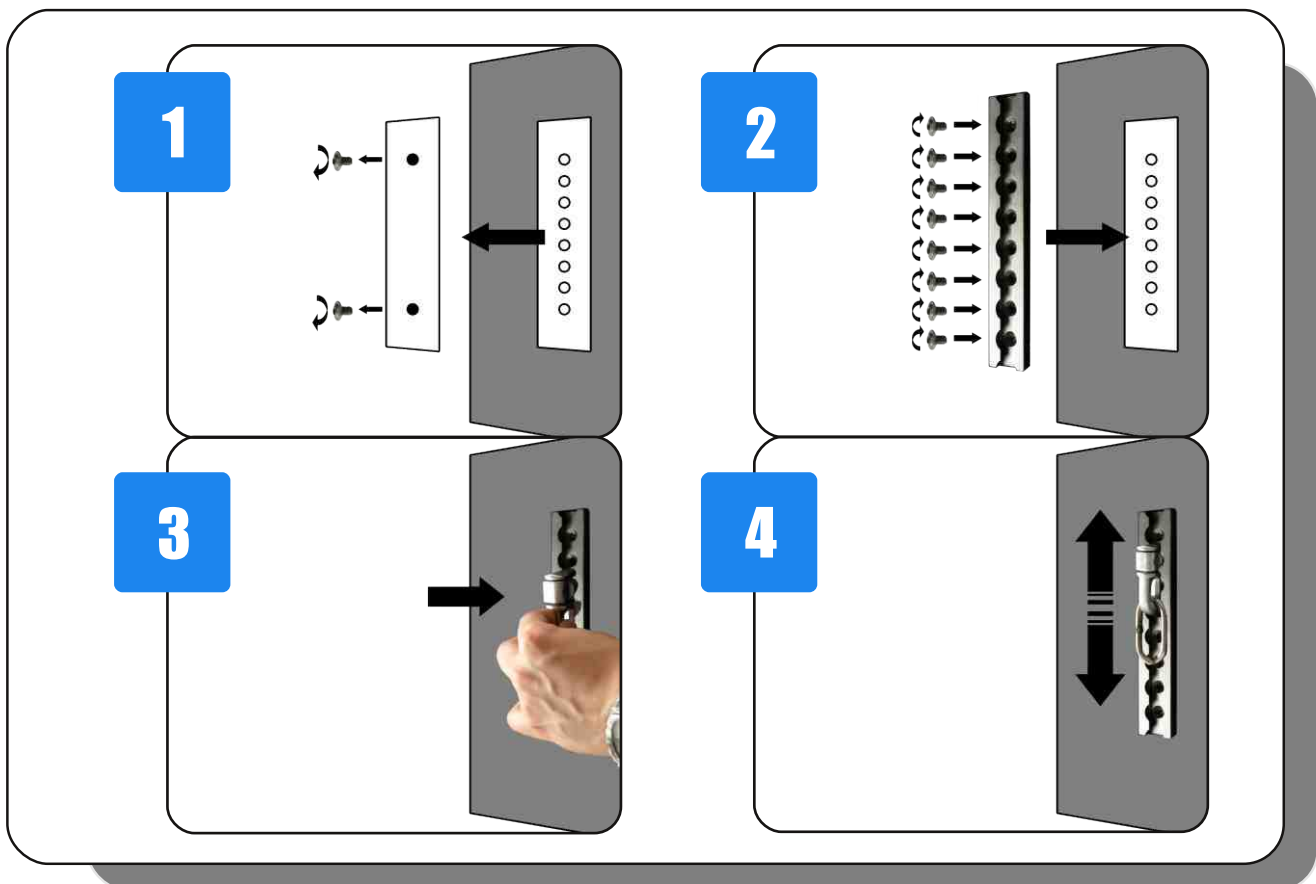
Note: metal chains are not included in the kit.

The content of the flying kit is shown in the picture below.



The content of a VERSE flying kit

Instructions for the procedure to install the flying kit on the chassis of the speaker follow on next page.



1. Unscrew the 2 screws that hold the metal palette on the speaker side and remove it.
 2. Replace the metal palette with the flying bar and screw it to the speaker with the 8 screws provided.
 3. Place the two studs in contact with the flying bar and press it in order to place it inside the flying bar.
 4. The studs can be slid upwards and downwards into the flying bar in order to fit to the needs, by pulling the head of the studs.
- Repeat the procedure for the other side of the speaker.
 Warning: store the screws from the metal palette in a safe place, for further uses, right after unscrewing them, in order not to lose them.

Note: for security reasons, the use of eyebolts is recommended. An eyebolt should be screwed inside each D:SIDER speaker in the proper hole. Then with the use of a steel stud, the eyebolt should be fixed to a steel cable which has to be placed firmly in order to prevent the loudspeaker to fall.



POLE AND TRIPOD SAFETY RECOMMENDATION

This manual assumes that the owners and/or users of a VERSE System are knowledgeable and experienced in the areas of Pole and Tripod use with loudspeaker systems.

The suspension of large, heavy objects on Pole or Tripod in public places is subject to numerous laws and regulations at the national/federal, state/provincial, and local levels, that are not addressed in this manual.

However, the user must assume responsibility for making sure that use of any VERSE system, its components and all the stands and poles and associated hardware in any particular circumstance or venue conforms to all applicable laws and regulations in force at the time.

WHEN USING STANDS OR POLES, BE SURE TO OBSERVE THE FOLLOWING PRECAUTIONS.

CHECK THE STAND OR POLE SPECIFICATION TO BE CERTAIN THE DEVICE IS DESIGNED TO SUPPORT THE WEIGHT OF THE SPEAKER. OBSERVE ALL SAFETY PRECAUTIONS SPECIFIED BY THE MANUFACTURER.

MAKE SURE THAT THE SURFACE ON WHICH THE SYSTEM IS TO BE STACKED IS FLAT, STABLE AND SOLID.

ROUTE CABLES SO THAT PERFORMERS, PRODUCTION CREW, AND AUDIENCE WILL NOT TRIP AND TOPPLE THE SPEAKERS.

INSPECT THE STAND (OR POLE AND ASSOCIATED HARDWARE) BEFORE EACH USE AND DO NOT USE EQUIPMENT WITH WORN, DAMAGED, OR MISSING PARTS.

DO NOT ATTEMPT TO PLACE MORE THAN ONE VERSE D:SIDER LOUDSPEAKERS ON A STAND OR POLE.

ALWAYS BE CAUTIOUS WHEN DEPLOYING THE SYSTEM OUTDOORS. UNEXPECTED WINDS MAY TOPPLE A SYSTEM.

IT MAY BE NECESSARY TO PLACE ADDITIONAL WEIGHT (I.E.SANDBAGS) ON THE BASE OF THE STAND TO IMPROVE STABILITY. AVOID ATTACHING BANNERS OR SIMILAR ITEMS TO ANY PART OF A SPEAKER SYSTEM. SUCH ATTACHMENTS COULD ACT AS A SAIL AND TOPPLE THE SYSTEM.

UNLESS YOU ARE CONFIDENT THAT YOU CAN HANDLE THE WEIGHT OF THE SPEAKER, ASK ANOTHER PERSON TO HELP YOU GET IT ONTO THE TRIPOD STAND OR POLE.

Whenever the VERSE speakers are going to be installed on a tripod, make sure that the system stability is granted, in order to avoid toppling. The stability is determined by the speaker placement height and the legs spread. Provided that the users are charged by responsibility of a correct installation and of a thorough stability check, a reference for the setup may be the following: using a tripod with a basis spread of at least 168cm, it is possible to place the speaker up to 180cm high.



Whenever the VERSE speakers are placed on a pole, using a properly arranged subwoofer speaker as support, the maximum stable height, granting stability and no toppling of the system, depends on the subwoofer speaker dimensions. Provided that the users are charged by responsibility of a correct installation and by thorough stability check, a reference guideline is given by the following table:

	D:SIDER 8	D:SIDER 10	D:SIDER 12	D:SIDER 15
D:SUB 10	max 90 cm	no	no	no
D:SUB 15	max 130cm	max 130cm	max 90cm	no
D:SUB 18	max 130cm	max 130cm	max 130cm	max 130cm
D:SUB 215	max 130cm	max 130cm	max 130cm	max 130cm

SUSPENSION SAFETY RECOMMENDATION

This manual assumes that the owners and/or users of a VERSE System are knowledgeable and experienced in the areas of rigging and flying loudspeaker systems.

The suspension of large, heavy objects in public places is subject to numerous laws and regulations at the national/federal, state/provincial, and local levels, that are not addressed in this manual.

However, the user must assume responsibility for making sure that use of any VERSE system and its components in any particular circumstance or venue conforms to all applicable laws and regulations in force at the time.

MANY ISSUES OF CRUCIAL CONCERN, SUCH AS THE DETERMINATION OF APPROPRIATENESS AND CONDITION OF VENUE RIGGING POINTS, CANNOT BE ADDRESSED HERE. THEREFORE, THE USER MUST ASSUME ALL RESPONSIBILITY FOR THE APPROPRIATE USE OF VERSE SYSTEMS IN ANY PARTICULAR LOCATION OR CIRCUMSTANCE.

CONSEQUENTLY, USERS OF VERSE RIGGING SYSTEMS SHOULD BE PREPARED TO TAKE ADDITIONAL SAFETY ASSURANCE MEASURES BEYOND THOSE OUTLINED IN THIS MANUAL. IN ALL CASES, IT IS THE RESPONSIBILITY OF THE USER TO MAKE CERTAIN THAT ANY VERSE LOUDSPEAKER SYSTEM IS SUSPENDED IN ACCORDANCE WITH ALL APPLICABLE NATIONAL/FEDERAL, STATE/PROVINCIAL, AND LOCAL REGULATIONS.

As an extra precaution, careful inspection of the attachment points is advised before flying, particularly in older venues or those hosting frequent events using large sound and lighting systems.

In any case, VERSE systems are intended only for suspension from approved rigging points, each known to have ample safe working loads margins for the system components suspended below them.



USAGE SUGGESTIONS

The acoustic characteristics of the room/environment in which a sound system is used have sometimes very significant effects on the overall sound produced.

Thanks to its special technical features (such as the optimal width of its dispersion range), with the D:SIDER some of the most common problems can be reduced or prevented.

However, some factors should be borne in mind as they may help to optimise its performance.

- Do not place speakers in the corners of a room or in recesses (e.g. niches), since this causes an increase in the low frequencies, producing sounds which are redundant or blurred.
- Do not place speakers against a wall, as this also causes an increase in the low frequencies, although less pronounced than that produced in a corner or niche.
N.B.: on the other hand, this phenomenon may sometimes be used to advantage to reinforce the low range, but it must be employed carefully and in a controlled way.
- Do not place speakers straight on a stage, a floating floor or any other support with cavities, as this tends to trigger resonances that alter and interfere with the overall sound.
N.B.: solid supports should always be used when possible, or a speaker stand.
- Remember that high frequencies have a high level of directivity and a much higher absorption coefficient than low frequencies. Therefore, to guarantee that the signal reaches the listener in an intelligible form, position speakers so that they are in a direct line with the audience (clearly visible) about $\frac{1}{2}$ metre / 1 metre above the audience's heads.
- In buildings with a lot of reverberation (places of worship, gymnasiums, etc.) first of all keep the sound reflections down using materials which absorb sound (carpets, curtains, special panels, etc.). If this is not possible or is not sufficient, do not simply turn up the volume, because this will also increase the volume of the reflected sound, and may make the situation even worse. The best solution is to use more speakers, placed around the room and closer to the audience (e.g. front+back; front+sides; front+sides+back).
N.B.: in these circumstances it may prove necessary to use the integrated delay line provided with the D:SIDER internal DSP processor to realign the timing of the sound of the various speakers (i.e. to overcome the delays caused by the sound propagation time), ensuring that the sound heard by the audience will be free from "echo".
Example: since the speed of sound is about 344 metres a second, sound takes about $\frac{1}{10}$ of a second to travel 30 metres. Therefore, a listener close to a "back" speaker 30 metres from the "front" speaker would hear the sound from the "back" speaker about $\frac{1}{10}$ of a second before the sound from the "front" speaker: in other words, he would hear two identical sounds $\frac{1}{10}$ of a second apart. To ensure that the two sounds strike the ear of this specific listener at exactly the same time, the sound of the "back" speaker will have to be delayed by $\frac{1}{10}$ of a second using the D:SIDER delay line.

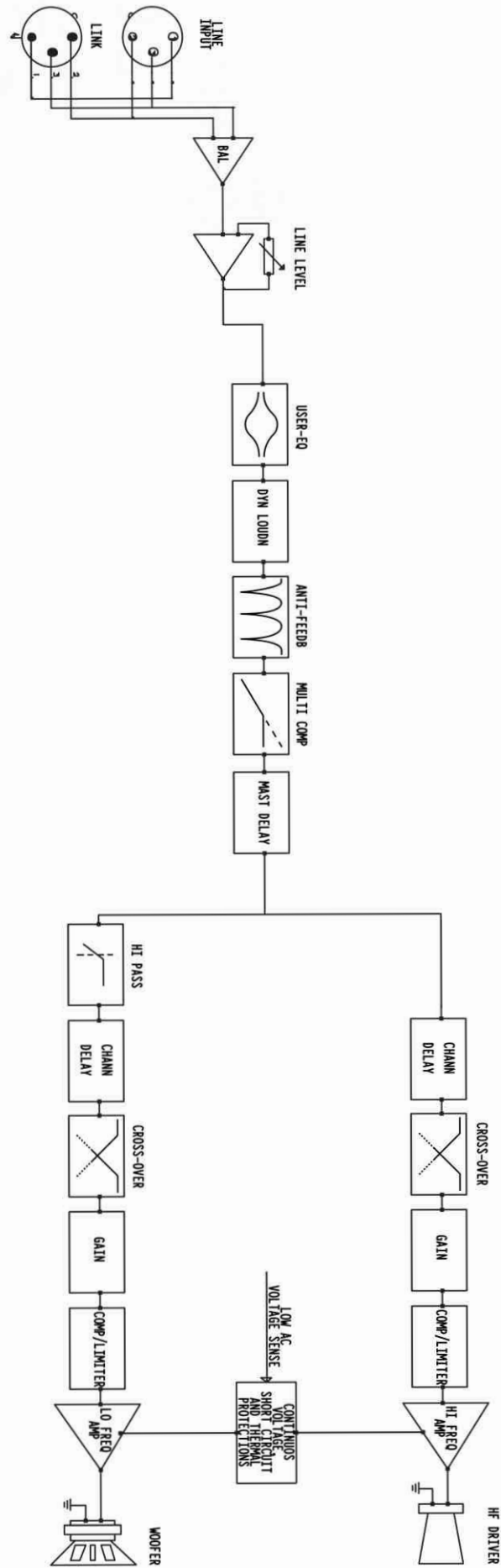


TECHNICAL SPECIFICATIONS

	D:SIDER 8	D:SIDER 10	D:SIDER 12	D:SIDER 15
Power-handling nominal	415 W	650 W	1000 W	1620 W
Frequency response	70Hz-20KHz	68Hz-20KHz	65Hz-20KHz	60Hz-20KHz
Input sensitivity	0dBu	0dBu	0dBu	0dBu
Max SPL average *	124dB	129dB	131dB	135dB
Low/midrange amplifier	350W	500W	750W	1050W
Mid/highrange amplifier	65W	150W	250W	570W
Crossover frequency	1900Hz	1800Hz	1750Hz	1700Hz
Subsonic filter	Yes	Yes	Yes	Yes
HF protection	PTC	PTC	PTC	PTC
Active protective circuitry	Thermal, overload, short circuit	Thermal, overload, short circuit	Thermal, overload, short circuit	Thermal, overload, short circuit
Nominal impedance	input bal 15Kohm	input bal 15Kohm	input bal 15Kohm	input bal 15Kohm
Connections	powercon AC input, powercon link, fem xlr input, male xlr link out, Ethercon RS485 input, Ethercon RS485 output	powercon AC input, powercon link, fem xlr input, male xlr link out, Ethercon RS485 input, Ethercon RS485 output	powercon AC input, powercon link, fem xlr input, male xlr link out, Ethercon RS485 input, Ethercon RS485 output	powercon AC input, powercon link, fem xlr input, male xlr link out, Ethercon RS485 input, Ethercon RS485 output
WOOFER	8"	10"	12"	15"
Magnet	Neodimium	Neodimium	Neodimium	Neodimium
Voice Coil	Ventilated 2" Copper	Ventilated 2.5" Aluminium	Ventilated 3" Aluminium	Ventilated 3" Copper
Former Material	Kapton	Fiber Glass	Fiber Glass	Fiber Glass
TWEETER	1.4"	1.7"	1.7"	1.7"
Magnet	Neodimium	Neodimium	Neodimium	Neodimium
Voice Coil	Aluminium	Aluminium	Aluminium	Aluminium
Diaphragm	Titanium	Polymide	Polymide	Polymide
Angular dispersion	100° > 50° Hx45° with asimmetrical rotatable horn	100° > 50° Hx45° with asimmetrical rotatable horn	100° > 50° Hx45° with asimmetrical rotatable horn	100° > 50° Hx45° with asimmetrical rotatable horn
CONSTRUCTION				
Cabinet	Laminated birch plywood	Laminated birch plywood	Laminated birch plywood	Laminated birch plywood
Finish	Black scratch-resistant paint	Black scratch-resistant paint	Black scratch-resistant paint	Black scratch-resistant paint
Protection	Metal grid and foam	Metal grid and foam	Metal grid and foam	Metal grid and foam
Dimensions (HxWxD) mm	430x300x320	494x351x347	580x410x385	630x440x450
Pole mount	1 bottom side	1 bottom side	1 bottom side	1 bottom side
Weight	12Kg	16Kg	20Kg	22Kg

* calculated

BLOCK DIAGRAM





Disposal of old Electrical & Electronic Equipment (Applicable throughout the European Union and other European countries with separate collection programs)

Dir. 2002/95/CE, 2002/96/CE e 2003/108/CE

This symbol, found on your product or on its packaging, indicates that this product should not be treated as household waste when you wish to dispose of it. Instead, it should be handed over to an applicable collection point for the recycling of electrical and electronic equipment. By ensuring this product is disposed of correctly, you will help prevent potential negative consequences to the environment and human health, which could otherwise be caused by inappropriate disposal of this product. The recycling of materials will help to conserve natural resources. For more detailed information about the recycling of this product, please contact your local city office, waste disposal service or the retail store where you purchased this product.

ATTENZIONE: LEGGERE ATTENTAMENTE!



Questo simbolo indica che all'interno dell'apparecchio è presente un'alta tensione non isolata, sufficientemente alta da causare il rischio di shock elettrico alle persone



Questo simbolo indica che la documentazione acclusa all'apparecchio contiene importanti istruzioni per l'uso e la manutenzione.

ATTENZIONE
PER RIDURRE IL RISCHIO DI SHOCK ELETTRICO O FUOCO:
NON ESPORRE QUESTO APPARATO ALLA PIOGGIA O UMIDITÀ
NON RIMUOVERE IL COPERCHIO (O IL PANNELLO POSTERIORE)
ALL'INTERNO NON SI TROVANO PARTI DI SERVIZIO A CURA
DELL'UTENTE. RIVOLGERSI A PERSONALE SPECIALIZZATO

“ISTRUZIONI RELATIVE AL RISCHIO DI FUOCO, SHOCK ELETTRICO O DANNI ALLE PERSONE”

IMPORTANTI ISTRUZIONI DI SICUREZZA

ATTENZIONE:

- 1) Leggete queste istruzioni.
- 2) Conservate queste istruzioni.
- 3) Osservate tutte le avvertenze.
- 4) Seguite tutte le istruzioni.
- 5) Non usate questo apparecchio vicino all'acqua. Non esponetelo a sgocciolamenti o spruzzi. Non collocate su di esso oggetti pieni di liquidi, come ad esempio vasi da fiori.
- 6) Pulite l'apparecchio solo con un panno asciutto.
- 7) Non ostruite nessuna apertura per l'aria di raffreddamento. Installate l'apparecchio seguendo le istruzioni del produttore.
- 8) Non installate l'apparecchio accanto a fonti di calore, come radiatori, aperture per l'efflusso di aria calda, forni o altri apparecchi (compresi amplificatori) che generano calore.
- 9) Non modificate la spina con spinotto di protezione in modo da non dover usare quest'ultimo; esso ha lo scopo di tutelare la vostra incolumità. Se la spina in dotazione non è adatta alla presa di corrente, rivolgetevi a un elettricista per fare eseguire le modifiche necessarie.
- 10) La presa di corrente deve essere installata vicino all'apparecchio e deve essere facilmente accessibile.
- 11) Evitate che si cammini sul cavo di alimentazione o che esso sia compresso, specialmente in corrispondenza della spina, della presa di corrente e del punto di uscita dall'apparecchio.
- 12) Usate solo i dispositivi di collegamento e gli accessori specificati dal produttore
- 13) Usate l'apparecchio con carrelli, sostegni, treppiedi, staffe o tavoli specificati dal produttore o venduti insieme all'apparecchio stesso. Se usate un carrello, fate attenzione durante gli spostamenti per prevenire che si ribalti.
- 14) Durante i temporali o se non userete l'apparecchio per un lungo periodo, scollegatelo dalla presa di corrente.
- 15) Per qualsiasi intervento, rivolgetevi a personale di assistenza qualificato. E' necessario intervenire sull'apparecchio ogniqualvolta venga danneggiato, in qualsiasi modo; per esempio se la spina o il cavo di alimentazione sono danneggiati, si è versato liquido sull'apparecchio o sono caduti oggetti su di esso, l'apparecchio è stato esposto alla pioggia o all'umidità, non funziona normalmente o è caduto.

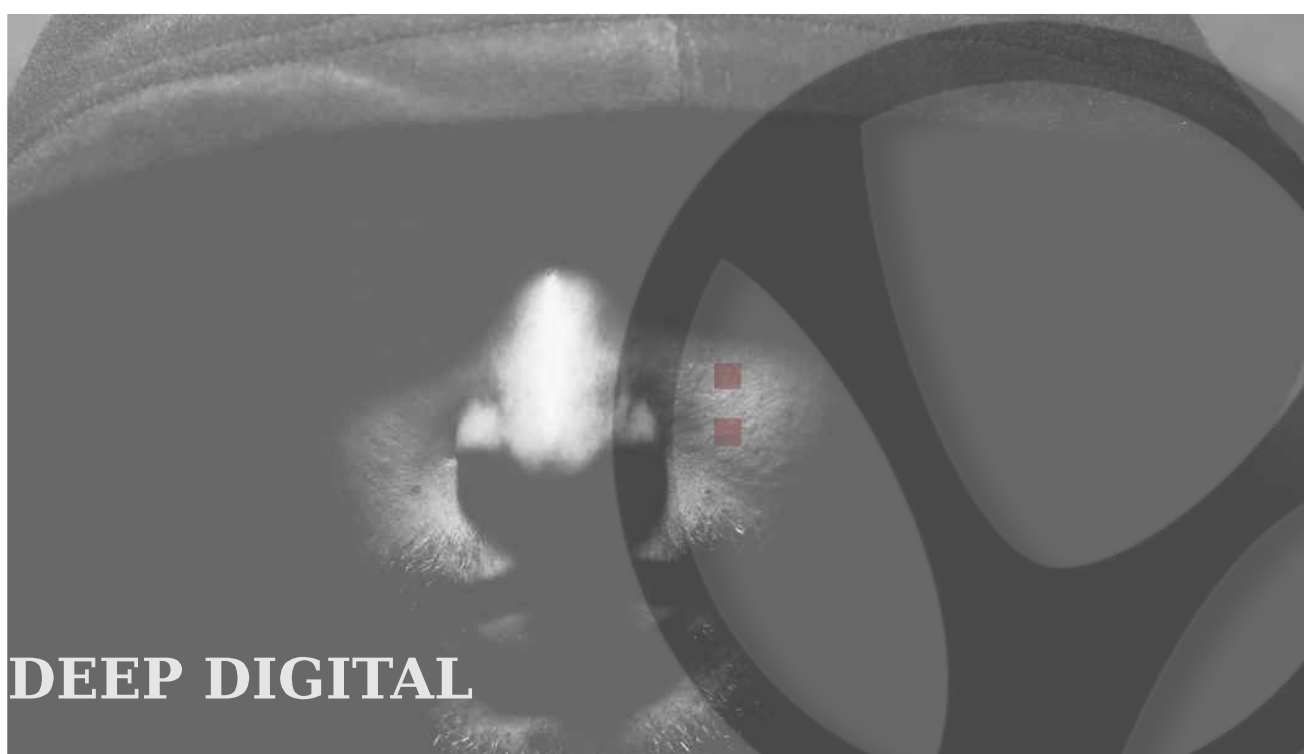


CONSERVARE QUESTE ISTRUZIONI



INDICE

Note Importanti.....	2
Presentazione.....	3
Controlli e Connessioni.....	6
Controlli DSP.....	8
Connessioni Powercon.....	10
Controllo Remoto RS-485.....	12
Rotazione della Tromba.....	13
Installazione altoparlanti.....	14
Suggerimenti d'Uso.....	18
Specifiche Tecniche.....	19
Schema a Blocchi.....	20



OPEN SYSTEMS FOR OPEN MINDS

Viviamo in un universo di suoni.

Un universo di suoni da catturare e riprodurre, che ci può non solo accompagnare, ma anche esaltare ed eccitare. Eravamo convinti di poter riprodurre questo universo di suoni in modo nuovo, per questo abbiamo creato Verse. Un marchio giovanissimo, ma nato in una realtà di grande passione ed esperienza nella musica. Nuove tecnologie realizzative di amplificatori e altoparlanti, unite ad un completo controllo digitale dal jack di ingresso fino all'altoparlante, ci hanno fatto accettare questa sfida.

Verse è infatti purezza totale dei suoni, per un risultato di qualità insuperabile in così piccole dimensioni.

I sistemi Verse sono fatti per sorprendere con la loro incredibile qualità, per esservi vicini con discrezione e leggerezza, grazie alle dimensioni e peso ridotti.

Seguiteci nella nostra nuova avventura, e fatela vostra, per riscoprire il vostro universo di suoni.

The Verse team



GRAZIE PER AVER SCELTO UN PRODOTTO DELLA SERIE D:SIDER VERSE.

QUESTO MANUALE VI DARÀ INFORMAZIONI E SUGGERIMENTI UTILI PER UN CORRETTO UTILIZZO DEL VOSTRO SISTEMA D:SIDER.

BUON LAVORO E BUON DIVERTIMENTO DALLO STAFF VERSE!

NOTE IMPORTANTI

CURA DEL PRODOTTO

- Non applicate eccessiva forza alle strutture ed ai comandi (manopole, interruttori).
- Evitate forti sollecitazioni della cassa sia nel corso del trasporto che durante il suo utilizzo.
- Evitate di posizionare l'apparecchio in prossimità di fonti di calore, in luoghi umidi o polverosi o nelle vicinanze di forti campi magnetici.
- Non collocare, quando possibile, la cassa in prossimità di unità che producano forti interferenze come apparecchi radio - TV, monitor, ecc...
- Non introdurre per nessuna ragione oggetti estranei o liquidi di qualsiasi genere all'interno dell'apparecchio.
- Per la pulizia usate solo un pennello morbido od aria compressa, non usate mai detersivi, solventi od alcool.
- Quando scollegate i cavi dalle prese abbiate cura di afferrarli per il connettore e non per il cavo stesso; avvolgendoli, inoltre, evitate nodi e torsioni.
- Evitate di esporre la cassa all'irradiazione solare diretta ed alla pioggia.

COLLEGAMENTO ALLA RETE

- Per evitare il rischio di shock elettrico non effettuare i collegamenti con le mani bagnate.
- Accertatevi che la tensione di rete corrisponda a quella indicata sul pannello dei comandi.
- Collegate la cassa ad una presa di rete provvista di contatto a terra.

COLLEGAMENTO AD UN MIXER

- Utilizzate sempre cavi schermati di buona qualità.
- Prima di effettuare i collegamenti accertatevi che tutte le casse che state per collegare siano spente. Eviterete rumorosi se non pericolosi picchi di segnale.

IN CASO DI AVARIA

- In caso di avaria rivolgetevi esclusivamente ad un centro di assistenza autorizzato VERSE.



PRESENTAZIONE

I diffusori Verse sono stati progettati partendo dall'idea che parlato e musica ci soddisfano quando sono intelligibili, piacevoli, indistorti. Non esistono sistemi adatti ad un genere musicale oppure ad un altro; sono solo illusioni dettate dal nostro gusto personale.

Un vero sistema sonoro deve essere adatto ad ascoltare musica sia che ci troviamo in un lounge bar , sia in un teatro classico, o semplicemente all'aperto, con pochi strumenti, od una grande orchestra.

Per ottenere questo sono state utilizzate le più recenti tecnologie costruttive, di progetto e di DSP processing e ciò dà ai sistemi Verse D:SIDER una grandissima riserva di dinamica, che si fa sentire al momento opportuno.

L'esperienza di ascolto con D:SIDER Verse apre nuovi orizzonti, un vero uniVerso, con:

- una presenza vera, precisa della voce cantata, con un immagine chiara degli altri strumenti
- bassi naturali, dinamici e non gonfiati, che danno una sensazione fisica indimenticabile
- acuti cristallini e presenti, senza eccedere nel disturbo
- una grande naturalezza nella reazione all'equalizzazione, per incontrare il gusto personale, grazie alla grande riserva dinamica ed alla capacità dei nuovi trasduttori.

TECNOLOGIA

AMPLIFICATORI DIGITALI

La nuova tecnologia digitale ha cambiato il modo in cui si progetta l'amplificazione audio professionale. In nessun altro modo si può rispondere alla richiesta di grande potenza e affidabilità di lungo termine.

Grazie alla notevole riduzione del calore prodotto ed alla altrettanto considerevole riduzione del peso, gli amplificatori digitali di cui sono equipaggiati i diffusori Verse offrono grande efficienza, grande potenza e ridotta dissipazione di calore. Gli stadi di uscita di questi amplificatori, lavorano tipicamente al 95% di efficienza, dissipando appena il 5% di energia sotto forma di calore. Inoltre l'efficienza non è legata al livello di uscita, e considerando che il programma musicale ha mediamente una densità di potenza pari al 40% del massimo livello, gli amplificatori convenzionali generano dieci volte più calore, a parità di volume di suono.

Per garantire grande affidabilità e durata nel tempo, sono state adottate protezioni contro il corto-circuito, protezione termica con controllo della velocità di rotazione della ventola di raffreddamento che non fa mai salire la temperatura oltre i 60 gradi, ulteriore protezione che disattiva l'amplificatore qualora superasse valori intollerabili di temperatura, protezione verso componenti continue ed ancora protezione verso componenti ultrasoniche sia in ingresso che in uscita. L' I.T.P. (Intelligent Termal Protect) è garanzia di un perfetto e duraturo funzionamento del diffusore.



COMPONENTI DI ALTA QUALITA'

In accoppiamento ad amplificatori così performanti, Verse ha scelto di montare altoparlanti progettati specificatamente per rendere al meglio con una così notevole riserva di potenza.

I woofer sono realizzati con magneti al neodimio che permettono di raggiungere un più alto fattore di forza e maggiore possibilità di escursione del cono, e con bobine ventilate per ridurre la compressione di potenza. Con tali componenti è possibile ottenere grandi escursioni, bassi dinamici e presenti, elevata pressione acustica e pesi comunque contenuti.

Le trombe, a guida d'onda sferica, sono asimmetriche e ruotabili per ottenere un angolo di dispersione controllato di 50° in una direzione e 100° in quella opposta. Questa caratteristica consente ad ogni diffusore di essere utilizzato sia come satellite di un impianto che come diffusore monitor.

I driver sono dotati di magneti al neodimio e bobine avvolte in alluminio che determinano un sensibile incremento di efficienza nella trasduzione delle frequenze alte, una maggior estensione in frequenza, un miglior fattore d'accelerazione e una superiore affidabilità.

PROCESSORI DIGITALI

I sistemi di processing del segnale di ogni speaker D:SIDER sono basati su un processore DSP performante con un controllo da remoto su PC, tramite l'uso del software opportuno. Algoritmi sofisticati e innovativi di elaborazione sono stati implementati per assicurare una protezione totale di tutti i componenti del sistema senza sacrificare la dinamica della sorgente sonora.

Limiter digitali intervengono quando stanno per essere superate le condizioni di sicurezza dei trasduttori o la massima potenza degli amplificatori, impedendo l'invio alle casse di segnali dal volume troppo elevato.

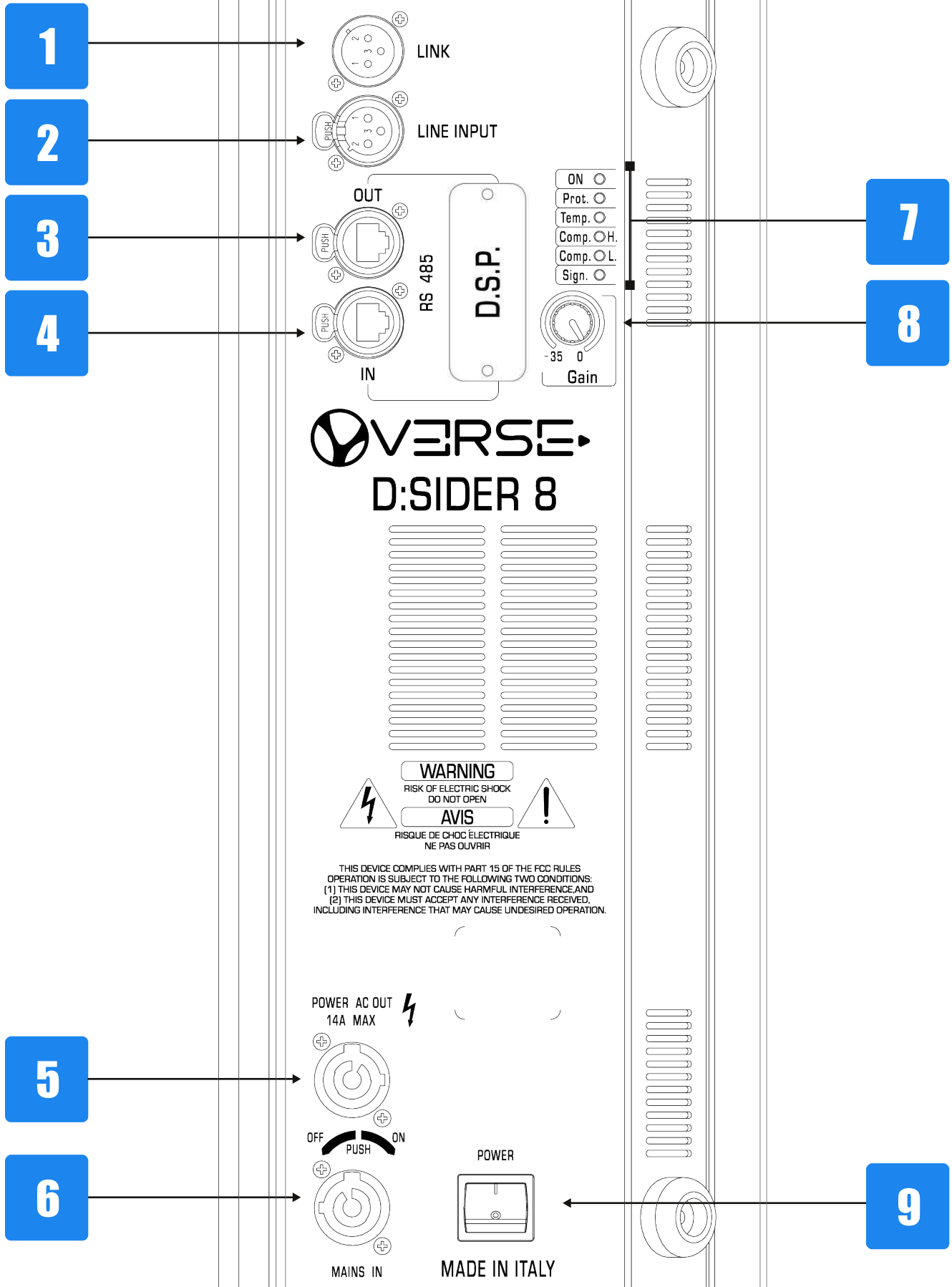
Lungo il percorso di elaborazione del segnale si trova un potente cancellatore di feedback a 12 bande che rileva ogni feedback entrante e lo sopprime immediatamente, senza introdurre distorsioni di fase.

L'unità di elaborazione include anche un compressore multibanda, una linea di delay, sei equalizzatori completamente parametrici e un controllo dinamico di loudness.

La linea di delay digitale permette di compensare le differenze di allineamento verticale fra subwoofer e satellite, o di creare linee di diffusori distribuiti il cui segnale raggiunge il punto di ascolto in maniera simultanea, eliminando effetti di echo.

Il processore Multicomp e la sezione di Dynamic Loudness possono essere estremamente utili come sistema di equalizzazione dinamica. Mentre il Dynamic Loudness cerca di adattare il livello di uscita alle note curve di "Fletcher&Munson", per ottenere un suono ricco come l'originale anche a bassi livelli di segnale, il Multicomp offre una più ampia capacità di modificare e manipolare la gamma dinamica del segnale audio.

CONTROLLI E CONNESSIONI



VERSE
D:SIDER 8

WARNING
RISK OF ELECTRIC SHOCK
DO NOT OPEN

AVIS
RISQUE DE CHOC ELECTRIQUE
NE PAS OUVRIR

THIS DEVICE COMPLIES WITH PART 15 OF THE FCC RULES
OPERATION IS SUBJECT TO THE FOLLOWING TWO CONDITIONS:
(1) THIS DEVICE MAY NOT CAUSE HARMFUL INTERFERENCE AND
(2) THIS DEVICE MUST ACCEPT ANY INTERFERENCE RECEIVED,
INCLUDING INTERFERENCE THAT MAY CAUSE UNDESIRE OPERATION.

POWER AC OUT
14A MAX

OFF PUSH ON

POWER

MAINS IN

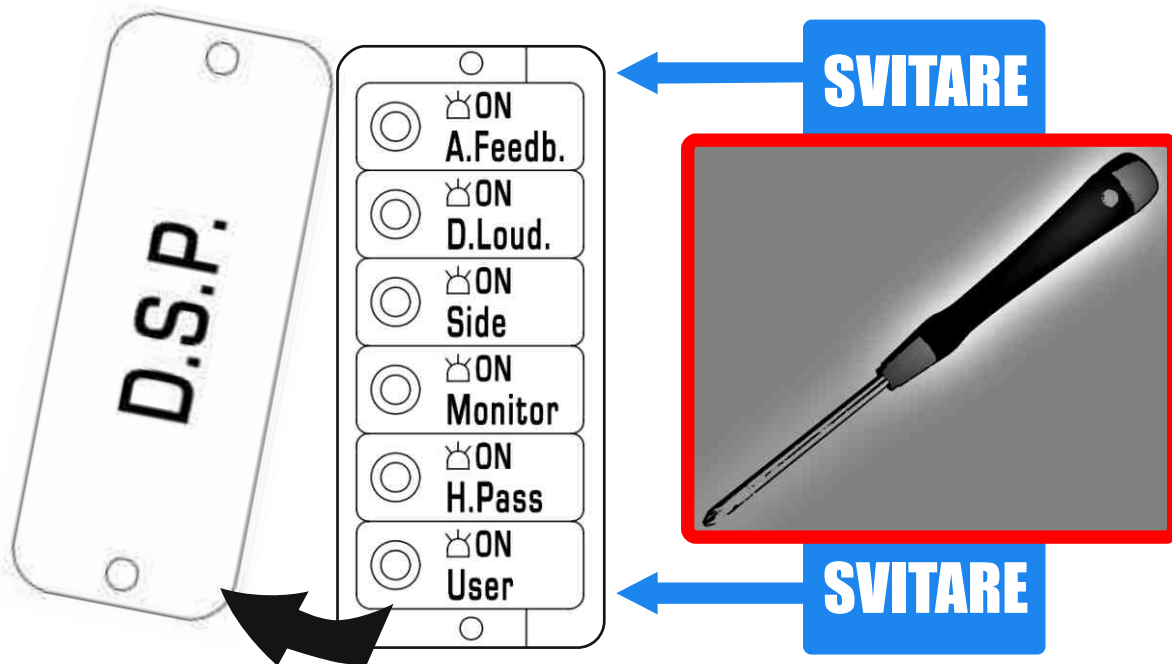
MADE IN ITALY



1. Link: manda in uscita lo stesso segnale proveniente dal connettore LINE INPUT. Questo permette di connettere in cascata più dispositivi alla stessa sorgente sonora.
2. Line Input: connettore XLR bilanciato per l'ingresso del segnale da amplificare.
3. RS485 OUT : connettore Etherconn per il collegamento alla rete digitale. Utilizzare per collegare l'ingresso RS485 IN del diffusore successivo nella "daisy-chain".
4. RS485 IN : connettore Etherconn per il collegamento alla rete digitale. Collegare qui il cavo proveniente dal connettore RS485 OUT del diffusore precedente nella "daisy-chain", oppure l'uscita dell'interfaccia USB-485 (D:SP Interface), qualora si tratti del primo diffusore della catena
5. AC Power Out: per alimentare altri speaker VERSE. Fare attenzione a non eccedere il limite di corrente riportato sullo chassis, vicino al connettore grigio.
6. Mains In: connette alla presa di corrente.
7. Indicatori LED:
 - ON LED: Indica che lo speaker è acceso.
 - Prot. LED: indica che l'amplificatore interno è entrato in protezione a causa di un guasto dell'amplificatore stesso o degli altoparlanti collegati (rivolgersi all'assistenza tecnica)
 - Temp. LED: indica che l'amplificatore interno è entrato in protezione a causa del raggiungimento di un calore eccessivo. In questa condizione, l'amplificatore eroga metà della potenza disponibile. Ridurre il segnale in ingresso per consentire il ripristino delle normali condizioni di lavoro.
 - Comp. H. LED: indica che il compressore della sezione "High" è in funzione. Se il segnale supera la soglia di sicurezza il compressore garantisce una riproduzione fedele, senza distorsione, attenuando solamente le frequenze di segnale appropriate. Il sistema opera in completa sicurezza. Se il LED è costantemente acceso c'è un eccesso di segnale, si consiglia di ridurre il livello del segnale in ingresso.
 - Comp. L. LED: indica che il compressore della sezione "Low" è in funzione. Se il segnale supera la soglia di sicurezza il compressore garantisce una riproduzione fedele, senza distorsione, attenuando solamente le frequenze di segnale appropriate. Il sistema opera in completa sicurezza. Se il LED è costantemente acceso c'è un eccesso di segnale, si consiglia di ridurre il livello del segnale in ingresso.
 - Sign. LED: indica che il segnale è presente.
8. Gain: modifica il guadagno del segnale in ingresso tra -35dB e 0dB.
9. POWER: Interruttore di accensione/spegnimento.

CONTROLLI DSP

Tutti i diffusori della serie D:SIDER sono equipaggiati con un potente DSP (Digital Signal Processor) che si occupa di gestire l'intero flusso di elaborazione di segnale. Alcune funzioni avanzate sono immediatamente disponibili tramite la semplice interfaccia costituita dai sei pulsanti con LED, raggiungibili rimuovendo il pannello "DSP" come illustrato in figura. Ciascuna funzione, descritta di seguito, viene attivata premendo il relativo pulsantino; il led acceso indica che la funzione è attiva.



In dettaglio i sei pulsanti con LED sono:

- A.Feedb. : attiva la funzione Automatic Feedback Remover. Si tratta di un sistema automatico di rilevazione continua dei fenomeni di feedback acustico, e della loro soppressione tramite 12 filtri notch adattivi. Il sistema effettua la rilevazione di eventuali insorgenze di feedback, ne localizza esattamente la frequenza e provvede ad inserire un filtro notch molto "stretto" (con fattore Q fino a 1/40 di ottava) sulla frequenza rilevata.
- D.Loud. : attiva la funzione di equalizzazione dinamica del sistema, allo scopo di compensare la minore sensibilità dell'orecchio umano, sia alle frequenze più basse che a quelle più alte, quando l'impianto è utilizzato a basso volume di emissione sonora. L'equalizzazione è dinamica, consentendo così di regolarne con continuità l'entità, in funzione del livello di segnale, fino a scomparire ad altissimi livelli di emissione.
- Side : attiva un particolare settaggio di equalizzazione, studiato appositamente per consentire l'uso di due D:SIDER affiancate.
- Monitor : attiva un particolare settaggio di equalizzazione, studiato appositamente per consentire l'uso del diffusore come Monitor.



- H.Pass : attiva un filtro Passa Alto, posizionato in maniera ottimale per usare il diffusore in abbinamento ai Subwoofer della serie D:SUB. Con il filtro non inserito, il diffusore si comporta da Full-Range, mentre con il filtro inserito si ha la funzionalità "satellite" da abbinare al Subwoofer.
- User : attiva il setting "utente" predisposto tramite l'opportuno editor (D:SP EDITOR venduto separatamente). Qualora il setting precedentemente impostato sia inadeguato alla particolare situazione di utilizzo, è sufficiente disattivarlo, tornando così alle impostazioni di fabbrica.

Nota: Il preset "utente" non è programmato precedentemente all'acquisto, perciò la configurazione della cassa rimane identica sia che il LED User sia acceso o spento; questo finché un setting "utente" non viene configurato.

AUTOMATIC FEEDBACK REMOVER

Riguardo l'Automatic Feedback Remover occorre notare che:

- L'Automatic Feedback Remover non può eliminare completamente i fenomeni di feedback, ma riduce drasticamente il loro effetto, consentendo così di utilizzare il sistema a volumi più elevati ed in condizioni critiche (microfoni di fronte ai diffusori, microfoni in movimento, ecc.)
- Quando l'Automatic Feedback Remover è inserito, se almeno uno dei 12 filtri è stato posizionato in seguito al rilevamento del feedback, il LED lampeggia.
- Se si desidera rimuovere ogni filtro inserito, ad esempio perchè è cambiata la posizione relativa di microfoni e diffusori, è sufficiente tenere premuto il pulsantino per circa 3 secondi. In questo modo il led smette di lampeggiare, ad indicare che nessuno dei filtri risulta posizionato



CONNESSIONI POWERCON

Il connettore PowerCon rende il sistema molto pratico e, grazie al connettore Link presente in ogni cassa, evita il problema di portare l'alimentazione ad ogni elemento.

Tutti i sistemi VERSE sono provvisti dello speciale cavo fornito di due powercon e due cavi XLR, rendendo possibile portare segnale e corrente da un elemento all'altro.

I subwoofer sono equipaggiati con una uscita doppia per semplificare il cablaggio dei canali destro e sinistro.

NB: i cavi speciali sono inclusi solo nei sistemi VERSE, dunque l'acquisto di un singolo altoparlante o sub non comporta l'inclusione di suddetto cavo.

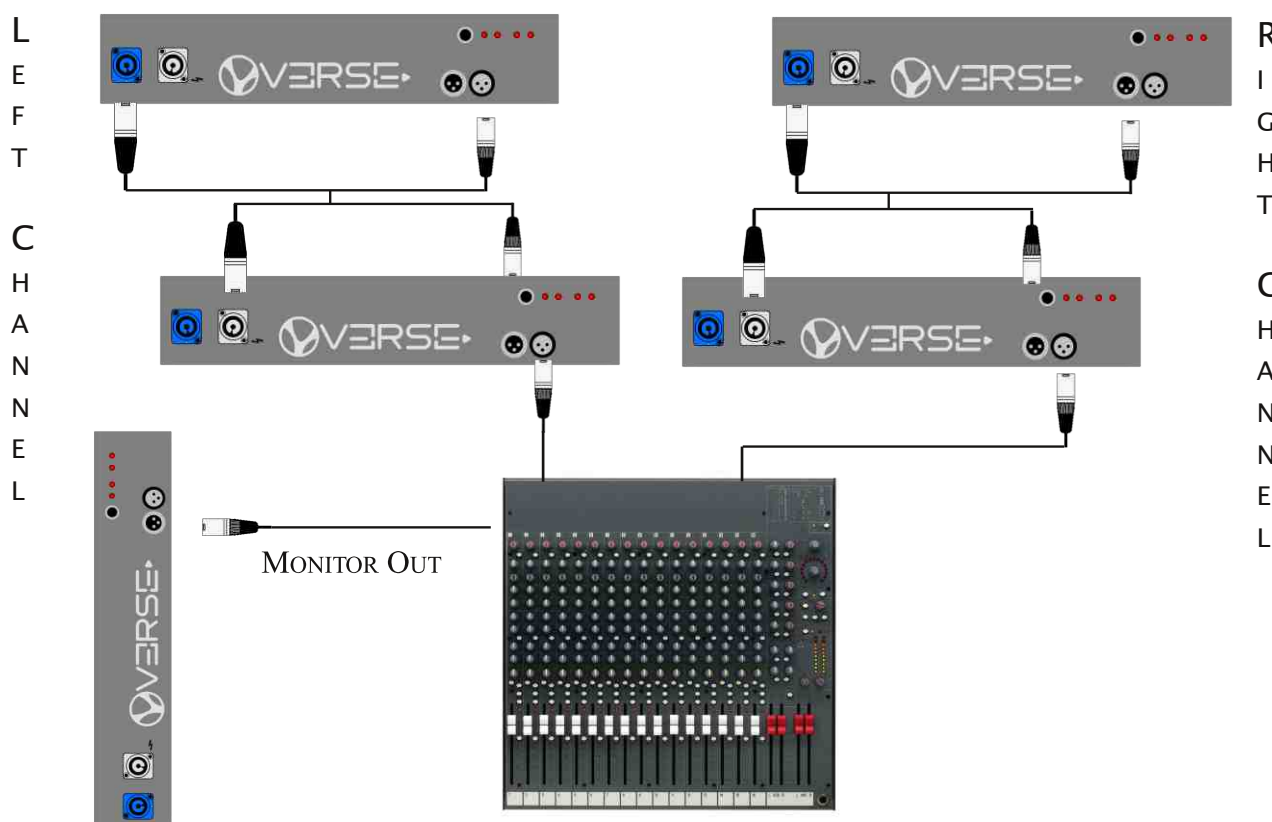


Dettaglio di una presa di corrente PowerCon



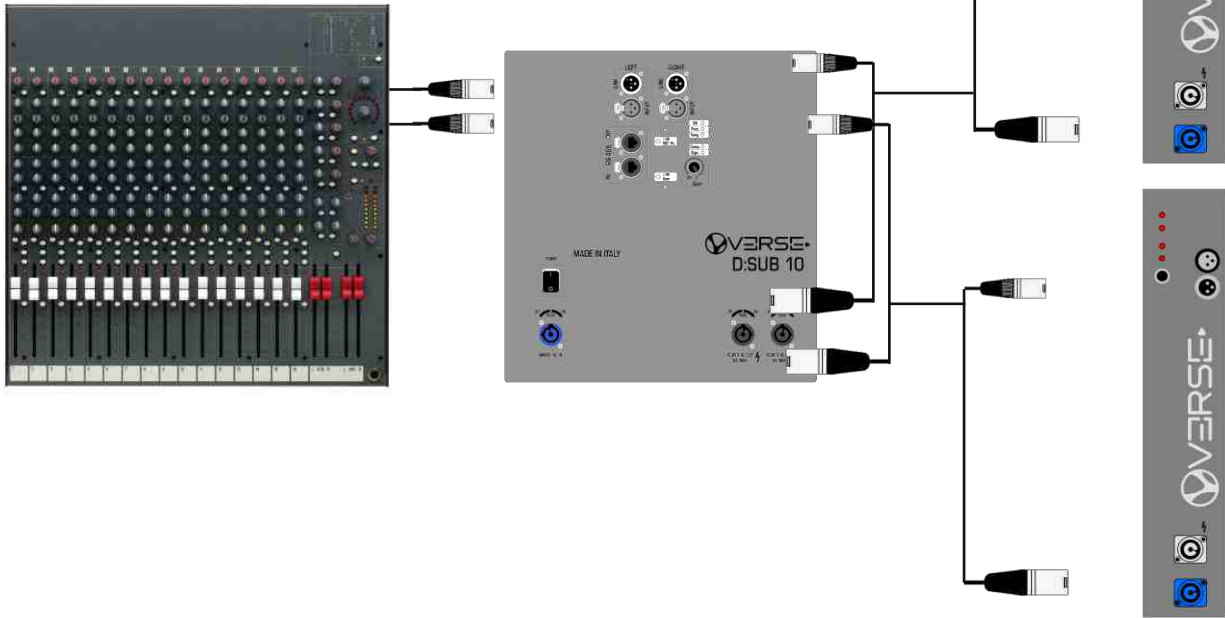
Gli speciali cavi inclusi nei sistemi VERSE

Configurazione 1. Connessione diretta da mixer + Monitor

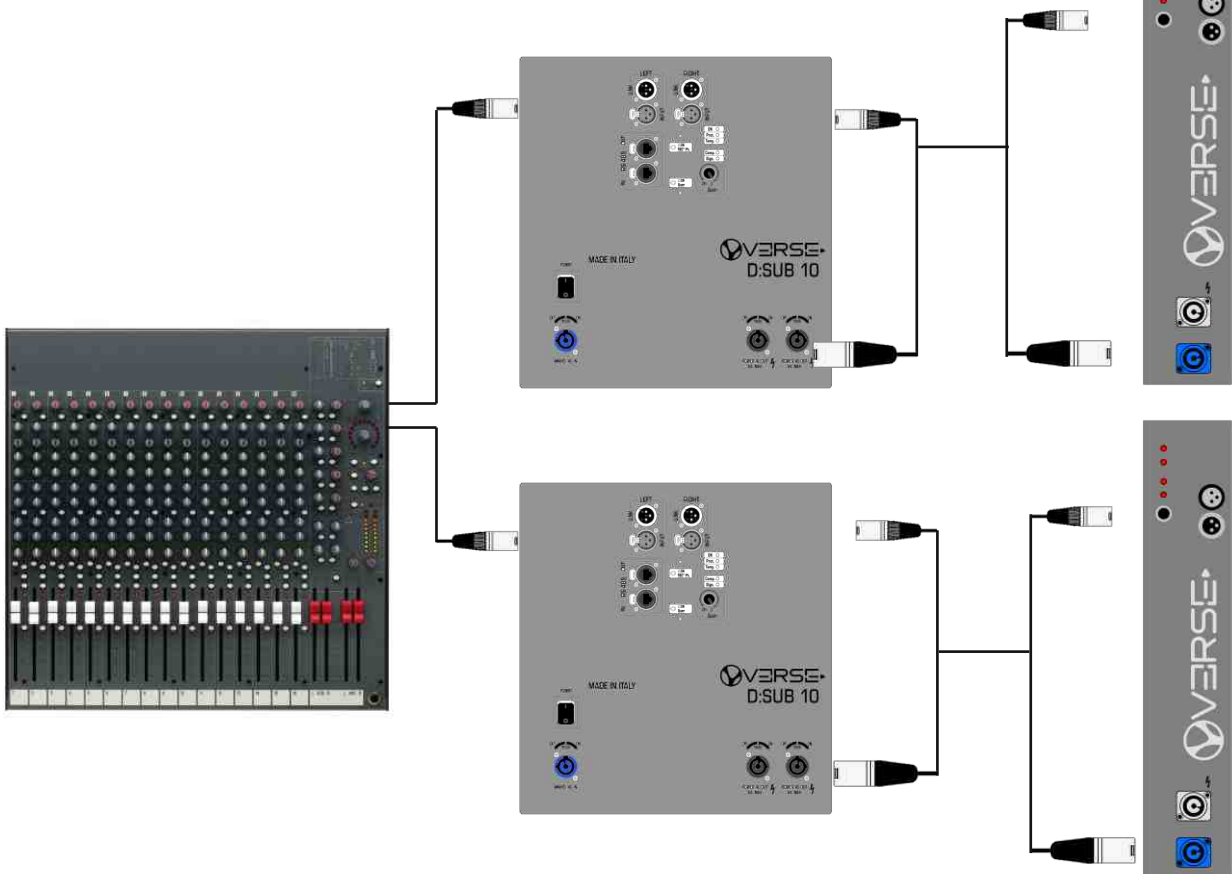




Configurazione 2. Connessione 2–canali 1–SUB



Configurazione 3. connessione 2–canali 2–SUB



CONTROLLO REMOTO RS-485

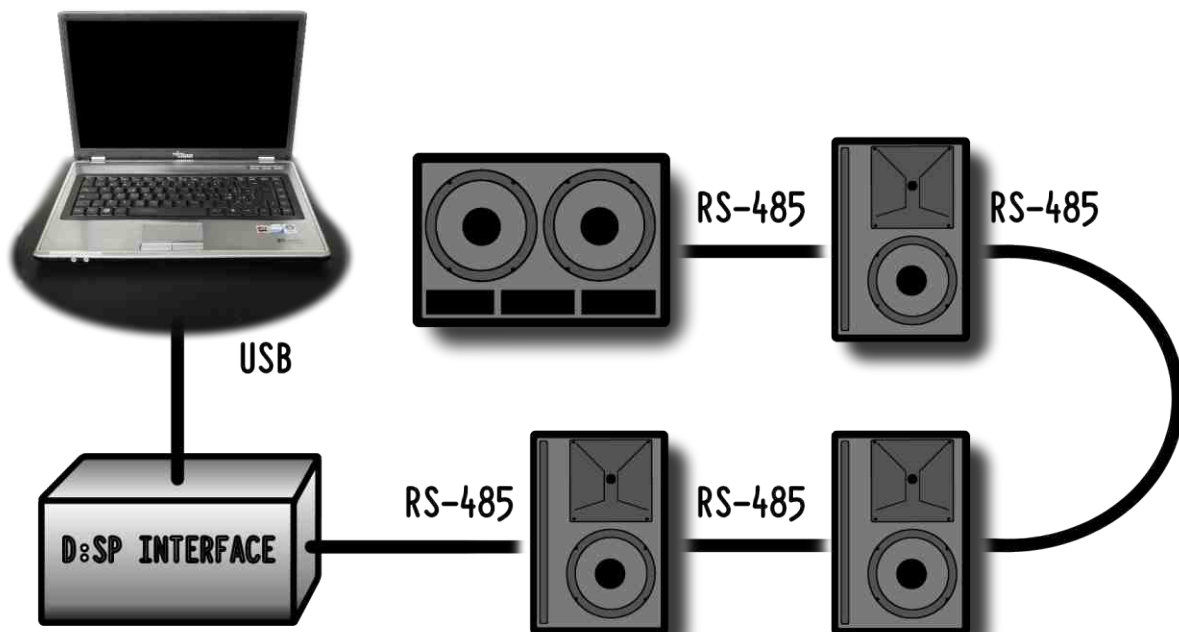
Oltre alle funzionalità DSP ad accesso diretto, descritte al paragrafo precedente, è possibile controllare in modo completo i diffusori della serie D:SIDER tramite l'interfaccia RS485 di controllo remoto, con l'ausilio di un personal computer. E' allo scopo disponibile opzionalmente una interfaccia USB-485 (D:SP INTERFACE) ed un software per personal computer (D:SP EDITOR); con tale dispositivo è possibile controllare una grande quantità di parametri del processore di segnale e monitorare in tempo reale importanti aspetti del funzionamento stesso dei diffusori.

Con una singola interfaccia USB-485 è possibile collegare in catena ben 127 diversi diffusori.

Per una completa descrizione si rimanda al manuale del D:SP EDITOR + D:SP INTERFACE. E' comunque possibile avere una panoramica delle funzionalità disponibili, installando sul proprio PC la versione DEMO di tale software, disponibile sul CD allegato e scaricabile dal sito www.verseaudio.com

Nota: Per il collegamento in rete dei diffusori D:SIDER utilizzare cavi Ethernet di alta qualità di tipo CAT5.

Un esempio di rete "Daisy chain" per il sistema VERSE D:SIDER è riportato nella figura seguente.



Attenzione: sebbene si utilizzino comuni cavi Ethernet, la rete digitale D:SP Verse, NON E' di tipo Ethernet e dunque NON E' possibile collegare i diffusori D:SIDER a dispositivi Ethernet. E' invece necessario utilizzare la apposita interfaccia VERSE D:SP INTERFACE (Usb-485), disponibile opzionalmente.



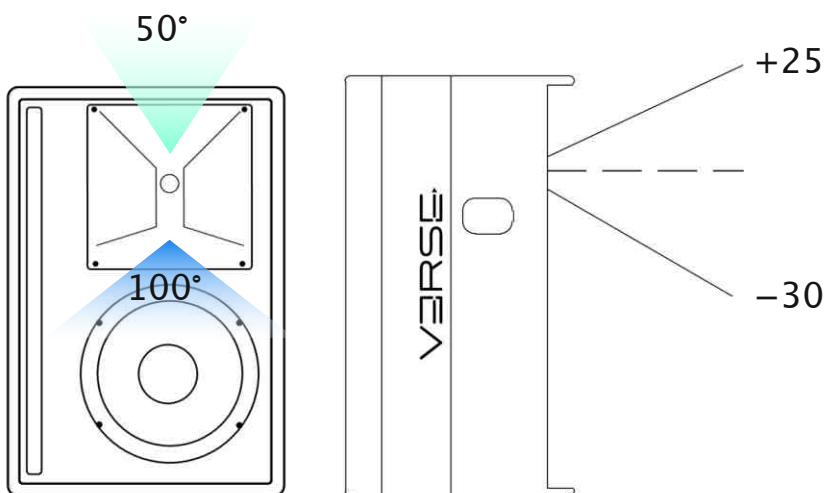
ROTAZIONE DELLA TROMBA

Tutti i modelli della linea D:SIDER montano delle trombe rotabili con angoli di dispersione asimmetrici. Rimuovendo le 4 viti posizionate agli angoli della tromba è possibile ruotarla, modificando gli angoli di dispersione nel caso lo speaker sia utilizzato in posizione orizzontale.



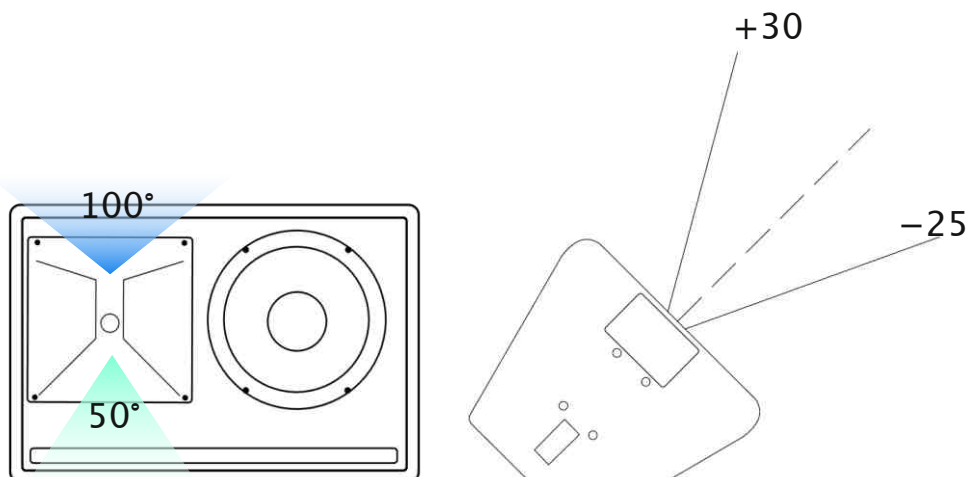
CONFIGURAZIONE "FRONT OF HOUSE"

La tromba copre tutto il pubblico: dai più vicini ascoltatori alle file lontane. Nella maggior parte delle situazioni, le trombe dovrebbero essere usate con l'angolo di dispersione più largo diretto verso il pavimento (come mostrato in figura a destra)



CONFIGURAZIONE "STAGE MONITOR"

Per l'uso come monitor da palco, la tromba dev'essere ruotata con l'angolo di dispersione più largo rivolto verso l'alto (come mostrato in figura) per poter coprire il musicista sia che si trovi vicino al monitor, sia che se ne allontani.





INSTALLAZIONE ALTOPARLANTI

Gli speaker D:SIDER possono essere installati in modo da adattarsi ad una vasta gamma di situazioni. I fori posizionati sul fondo delle casse D:SIDER permettono di montarle in cima ad un palo, da solo o sopra ad un D:SUB woofer, che presenta il foro corrispettivo in cima alla cassa.

Oltre a ciò, gli speaker possono stare sollevati da terra con un kit avionico opzionale.

Il kit avionico VERSE disponibile per i diffusori D:SIDER include:

- 2x barre avioniche
- 4x anelli per barre avioniche
- 16x viti per montaggio
- 1x golfaro di sicurezza
- 1x chiave a brugola

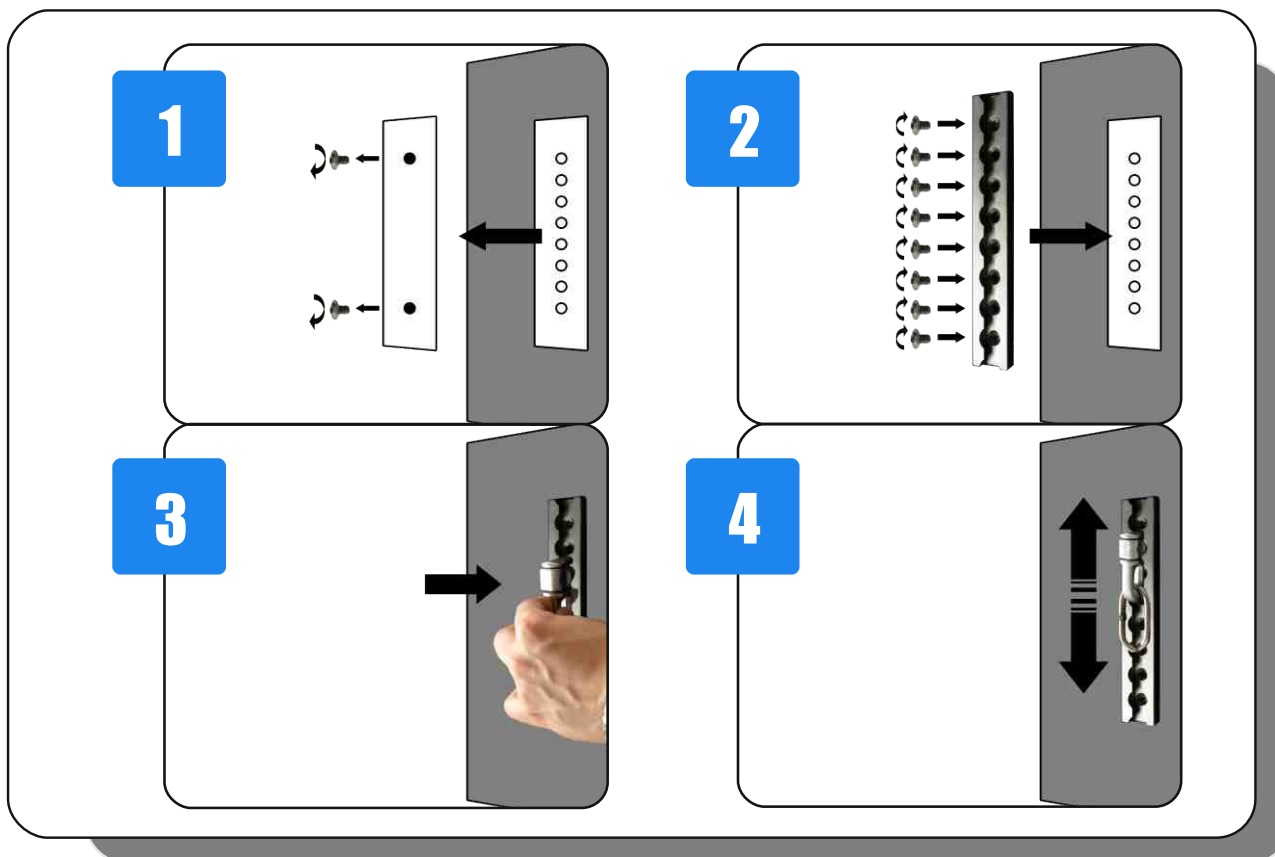
Nota: le catene metalliche non sono incluse nel kit.

Il contenuto del kit avionico è riportato nell'immagine sottostante.



Il contenuto di un kit avionico VERSE

Le istruzioni per il montaggio sono indicate a pagina seguente.



1. Svitare le 2 viti che tengono la placchetta metallica sul lato dello speaker e rimuoverle.
2. Rimpiazzare la placchetta metallica con la barra avionica ed avitarla con 8 delle viti fornite.
3. Piazzare due degli anelli a contatto con la barra avionica e premere in modo da posizionarla all'interno della barra.
4. Gli anelli possono essere spostati in alto e in basso all'interno della barra a seconda delle necessità, tirandone la testa.

Ripetere la procedura per l'altro lato del diffusore.

Attenzione: conservare le viti della placche metalliche in un posto sicuro, per utilizzi futuri, subito dopo averle svitate, in modo da non perderle.

Nota: per ragioni di sicurezza, si raccomanda l'uso di golfari. Un golfaro va avvitato su ogni cassa D:SIDER nell'apposita fessura. Poi, con l'uso di un moschettone il golfaro va fissato ad un cavo di acciaio che la assicuri stabilmente in modo da prevenire la caduta dei diffusori.



RACCOMANDAZIONI PER LA SICUREZZA IN CASO DI UTILIZZO DI PALO O STATIVO

In questo manuale si assume che l'utente od il proprietario del sistema VERSE abbia conoscenza ed esperienza nell'installazione di sistemi di casse acustiche con l'utilizzo di stativi e treppiedi da terra, così come con pali per la sospensione sulle casse Subwoofer. L'installazione su pali o stativi di oggetti di grandi dimensioni e di peso notevole in spazi pubblici deve sottostare a numerose leggi e regolamentazioni ai differenti livelli locali e nazionali che non sono oggetto di questo manuale.

In ogni caso l'utente deve assumersi ogni responsabilità relativamente all'uso in sicurezza dei sistemi VERSE ed all'utilizzo di apparecchiature idonee alla loro sospensione in ogni particolare circostanza e luogo, in conformità alle leggi e regolamenti vigenti.

QUANDO SI USANO STATIVI O PALI, ASSICURATEVI DI OSSERVARE LE PRECAUZIONI DESCRITTE NEL SEGUITO.

VERIFICARE ATTENTAMENTE CHE LE SPECIFICHE DELLO STATIVO O DEL PALO PER ESSERE SICURI CHE L'APPARECCHIATURA È PROGETTATA PER SOSTENERE IL PESO DELLA CASSA CHE SI VUOLE SOSPENDERE. OSSERVARE TUTTE LE PRECAUZIONI DI SICUREZZA SPECIFICATE DAL FABBRICANTE DELLO STATIVO O DEL PALO. ACCERTARSI CHE LA SUPERFICIE SULLA QUALE SARÀ DISPOSTO IL SISTEMA SIA PIANA, STABILE E NON SDRUCIOLEVOLE.

DISPORRE I CAVI DI RETE E DI SEGNALE IN MODO TALE CHE ESECUTORI, PERSONALE DI SERVIZIO E PUBBLICO NON INCIAMPINO E FACCIANO TRABALLARE LA CASSA SOSPESA SULLO STATIVO O PALO.

ISPEZIONARE LO STATIVO OD IL PALO PRIMA DI OGNI UTILIZZO E NON UTILIZZARE MAI ATTREZZATURE CON PARTI USURATE, DANNEGGIATE, O MANCANTI.

NON MONTARE MAI PIÙ DI UNA CASSA D:SIDER SU UNO STATIVO O PALO.

QUANDO SI UTILIZZANO SISTEMI DI CASSE IN INSTALLAZIONI ALL'APERTO È MOLTO IMPORTANTE FARE ATTENZIONE A VENTI INASPETTATI CHE POSSONO FARE TRABALLARE E ROVESCIARE IL SISTEMA.

PUÒ ESSERE NECESSARIO PREDISPORRE DEI PESI SUPPLEMENTARI (AD ESEMPIO SACCHETTI DI SABBIA) SULLA BASE DELLO STAND PER MIGLIORARNE LA STABILITÀ. EVITARE DI LEGARE BANDIERE O ARTICOLI SIMILI A QUALSIASI PARTE DI UN SISTEMA DI CASSE, COSÌ DA EVITARE CHE SI COMPORTI COME UNA VELA E FACCIA ROVESCIARE IL SISTEMA.

SE NON SI È SICURI DI POTER REGGERE DA SOLI IL PESO DEL DIFFUSORE, È OPPORTUNO CHIEDERE AD UN'ALTRA PERSONA UN AIUTO PER SOLLEVARE LA CASSA FIN SULLA CIMA DEL PALO O DELLO STATIVO.

Qualora i diffusori della serie Verse vengano installati utilizzando uno stativo occorre accertarsi che sia garantita la stabilità del sistema, determinata sia dall'altezza alla quale si pone il diffusore, sia dalla larghezza con cui vengono aperti i piedi dello stativo stesso, al fine di evitarne il ribaltamento. Pur rimanendo a carico dell'utente la responsabilità di una corretta installazione e della verifica di stabilità, vale la seguente indicazione di riferimento: se si dispone di uno stativo la cui apertura di base sia non inferiore a 168 cm, è possibile montare il diffusore fino ad una altezza di 180 cm.



Qualora i diffusori della serie Verse siano montati su palo, utilizzando come base una cassa Subwoofer predisposta, l'altezza che garantisce la stabilità ed il non ribaltamento del sistema, dipende dalle dimensioni della cassa subwoofer. Pur rimanendo a carico dell'utente la responsabilità di una corretta installazione e della verifica di stabilità, valgono le indicazioni riportate nella seguente tabella:

	D:SIDER 8	D:SIDER 10	D:SIDER 12	D:SIDER 15
D:SUB 10	max 90 cm	no	no	no
D:SUB 15	max 130cm	max 130cm	max 90cm	no
D:SUB 18	max 130cm	max 130cm	max 130cm	max 130cm
D:SUB 215	max 130cm	max 130cm	max 130cm	max 130cm

RACCOMANDAZIONI PER LA SICUREZZA DELLE INSTALLAZIONI SOSPESSE

In questo manuale si assume che l'utente od il proprietario del sistema VERSE abbia conoscenza ed esperienza nell'installazione sospesa di sistemi di casse acustiche.

L'installazione sospesa di oggetti di grandi dimensioni e di peso notevole in spazi pubblici deve sottostare a numerose leggi e regolamentazioni ai differenti livelli locali e nazionali che non sono oggetto di questo manuale.

In ogni caso l'utente deve assumersi ogni responsabilità relativamente all'uso dei sistemi VERSE in ogni particolare circostanza e luogo, in conformità alle leggi e regolamenti vigenti per quelle particolari condizioni di utilizzo, circostanza, luogo e tempo.

GLI ASPETTI CRUCIALI, COME LA DETERMINAZIONE DELL' APPROPRIATEZZA E LA CONDIZIONE DEI PUNTI DI ANCORAGGIO DELLA SEDE DI INSTALLAZIONE SOSPESA, NON POSSONO ESSERE PRESI QUI IN CONSIDERAZIONE. PERCIÒ, L'UTENTE DEVE ASSUMERSI TUTTA LA RESPONSABILITÀ PER L'USO APPROPRIATO DEI SISTEMI VERSE IN CIASCUNA PARTICOLARE UBICAZIONE O CIRCOSTANZA. DI CONSEGUENZA, L'UTENTE DEI SISTEMI VERSE DEVE PREDISPORRE MISURE DI SICUREZZA SUPPLEMENTARE OLTRE QUELLE DELINEATE IN QUESTO MANUALE IN FUNZIONE DELLA PARTICOLARITÀ DELL'INSTALLAZIONE SOSPESA.

IN TUTTI I CASI, È RESPONSABILITÀ DELL'UTENTE ACCERTARSI CHE IL SISTEMA DI ALTOPARLANTI VERSE È SOSPESO IN CONCORDANZA CON TUTTE LE LEGGI E REGOLAMENTI NAZIONALI E LOCALI VALIDI NEL LUOGO DELL'INSTALLAZIONE.

Come una precauzione addizionale, è opportuna una ispezione accurata dei punti di aggancio prima di sospendere le casse dei sistemi VERSE, particolarmente qualora l'installazione avvenga in locali o sedi di non recente costruzione o in quelli dove vi sono eventi frequenti e dove vengono usati grandi sistemi per il suono e per le luci.

In ogni caso, i sistemi VERSE vanno utilizzati in installazioni sospese solamente su attrezzature approvate, delle quali siano note le caratteristiche relative ai carichi sospesi sopportati e che consentano ampi margini per il peso dei componenti dei sistemi VERSE sospesi sotto tali attrezzature.



SUGGERIMENTI D'USO

Le caratteristiche acustiche dell'ambiente nel quale si effettua una diffusione incidono sul risultato sonoro complessivo, talvolta in modo molto significativo.

Gli speaker VERSE, grazie alle loro peculiarità tecniche (ad esempio: l'ampio angolo di dispersione), consentono di contenere o prevenire alcuni degli inconvenienti tipici.

Qualche accorgimento d'installazione, tuttavia, può contribuire a ottimizzarne le prestazioni.

- Evitate di collocare i diffusori negli angoli di una stanza o in cavità (es. nicchie), poiché ciò determina un incremento delle basse frequenze, causando suoni ridondanti e poco distinti.
- Evitate di collocare i diffusori contro un muro, poiché ciò determina un incremento delle basse frequenze, anche se in modo più contenuto rispetto alla collocazione in un angolo o in una nicchia.

NOTA: per contro, questo fenomeno può talora essere vantaggiosamente sfruttato proprio per rinforzare la gamma bassa, ma è opportuno che ciò sia praticato con consapevolezza e in modo controllato.

- Evitate di far poggiare i diffusori direttamente su un palco, su un pavimento galleggiante o su un altro supporto con cavità, poiché ciò tende ad indurre risonanze che alterano e disturbano il risultato sonoro complessivo.

NOTA: usate di preferenza un appoggio solido (pieno) oppure o uno stativo per casse acustiche.

- Ricordate che le frequenze alte sono caratterizzate da un elevato indice di direttività e sono soggette ad un coefficiente di assorbimento molto più elevato rispetto alle frequenze basse.

Per garantire intelligibilità e presenza del segnale, pertanto, posizionate i diffusori in modo che siano collocati in linea di diffusione diretta (a vista) verso il pubblico d'ascolto, a $\frac{1}{2}$ metro / 1 metro al di sopra di esso.

- In ambienti altamente riverberanti (luoghi di culto, palestre, etc.) provvedete innanzitutto a contenere le riflessioni usando materiali fono-assorbenti (tappeti, tendaggi, pannelli specifici, etc.). Se ciò non fosse praticabile o non fosse sufficiente, evitate di ricorrere al semplice incremento di volume, poiché ciò incrementerebbe anche il volume delle riflessioni, possibilmente peggiorando la situazione. Ricorrete di preferenza all'uso di un maggior numero di diffusori distribuiti, più vicini al pubblico d'ascolto (es. fronte+retro; fronte+lati, fronte+lati+retro).

NOTA: in questi casi può rivelarsi necessario l'uso della linea di Delay integrata nel processore DSP delle case D:SIDER per procedere al riallineamento temporale dei vari diffusori, cioè per compensare i ritardi legati al tempo di propagazione del suono, garantendo così al pubblico un'ascolto esente da "ribattute".

Esempio: data la velocità del suono pari a ca. 344 metri al secondo, per percorrere 30 metri il suono impiega ca 1/10 di secondo. Pertanto, un ascoltatore posto vicino al diffusore "retro" distante 30 metri dal diffusore "fronte" avvertirebbe il suono del diffusore "retro" circa 1/10 di secondo prima del suono del diffusore "fronte", ovvero udirebbe due suoni identici, ma distanziati di 1/10 di secondo. Per rendere coincidenti i due suoni all'orecchio di questo specifico ascoltatore, dunque, l'emissione del suono del diffusore "retro" andrebbe ritardata di 1/10 di secondo tramite la Delay line del D:SIDER.

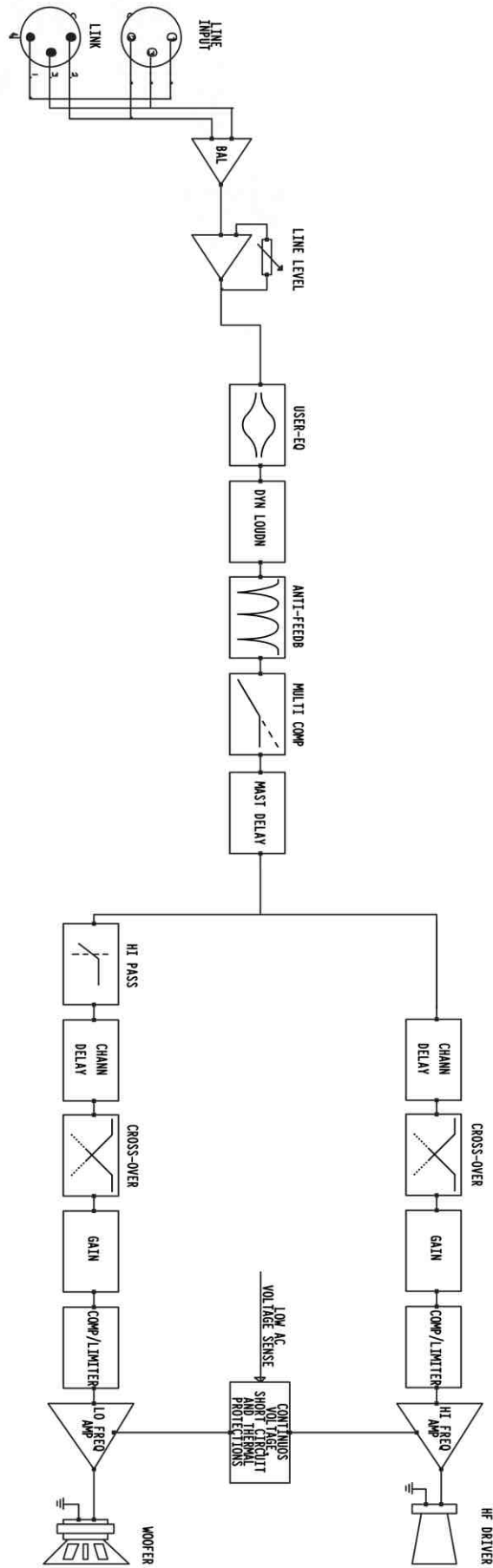


SPECIFICHE TECNICHE

	D:SIDER 8	D:SIDER 10	D:SIDER 12	D:SIDER 15
Power-handling nominal	415 W	650 W	1000 W	1620 W
Frequency response	70Hz–20KHz	68Hz–20KHz	65Hz–20KHz	60Hz–20KHz
Input sensitivity	0dBu	0dBu	0dBu	0dBu
Max SPL average *	124dB	129dB	131dB	135dB
Low/midrange amplifier	350W	500W	750W	1050W
Mid/highrange amplifier	65W	150W	250W	570W
Crossover frequency	1900Hz	1800Hz	1750Hz	1700Hz
Subsonic filter	Yes	Yes	Yes	Yes
HF protection	PTC	PTC	PTC	PTC
Active protective circuitry	Thermal, overload, short circuit	Thermal, overload, short circuit	Thermal, overload, short circuit	Thermal, overload, short circuit
Nominal impedance	input bal 15Kohm	input bal 15Kohm	input bal 15Kohm	input bal 15Kohm
Connections	powercon AC input, powercon link, fem xlr input, male xlr link out, Ethercon RS485 input, Ethercon RS485 output	powercon AC input, powercon link, fem xlr input, male xlr link out, Ethercon RS485 input, Ethercon RS485 output	powercon AC input, powercon link, fem xlr input, male xlr link out, Ethercon RS485 input, Ethercon RS485 output	powercon AC input, powercon link, fem xlr input, male xlr link out, Ethercon RS485 input, Ethercon RS485 output
WOOFER	8"	10"	12"	15"
Magnet	Neodimium	Neodimium	Neodimium	Neodimium
Voice Coil	Ventilated 2" Copper	Ventilated 2.5" Aluminium	Ventilated 3" Aluminium	Ventilated 3" Copper
Former Material	Kapton	Fiber Glass	Fiber Glass	Fiber Glass
TWEETER	1.4"	1.7"	1.7"	1.7"
Magnet	Neodimium	Neodimium	Neodimium	Neodimium
Voice Coil	Aluminium	Aluminium	Aluminium	Aluminium
Diaphragm	Titanium	Polymide	Polymide	Polymide
Angular dispersion	100° > 50° Hx45° with asimmetrical rotatable horn	100° > 50° Hx45° with asimmetrical rotatable horn	100° > 50° Hx45° with asimmetrical rotatable horn	100° > 50° Hx45° with asimmetrical rotatable horn
CONSTRUCTION				
Cabinet	Laminated birch polywood	Laminated birch polywood	Laminated birch polywood	Laminated birch polywood
Finish	Black scratch-resistant paint	Black scratch-resistant paint	Black scratch-resistant paint	Black scratch-resistant paint
Protection	Metal grid and foam	Metal grid and foam	Metal grid and foam	Metal grid and foam
Dimensions (HxWxD) mm	430x300x320	494x351x347	580x410x385	630x440x450
Pole mount	1 bottom side	1 bottom side	1 bottom side	1 bottom side
Weight	12Kg	16Kg	20Kg	22Kg

* calculated

SCHEMA A BLOCCHI





Smaltimento dei rifiuti elettrici ed elettronici (applicabile nell'Unione Europea e negli altri paesi europei con servizio di raccolta differenziata)

Ai sensi dell'art. 13 del Decreto legislativo 25 luglio 2005, n. 151 "Attuazione delle Direttive 2002/95/CE, 2002/96/CE e 2003/108/CE"

Il simbolo presente sul prodotto o sulla sua confezione indica che il prodotto non verrà trattato come rifiuto domestico. Sarà invece consegnato al centro di raccolta autorizzato per il riciclo dei rifiuti elettrici ed elettronici. Assicurandovi che il prodotto venga smaltito in modo adeguato, eviterete un potenziale impatto negativo sull'ambiente e la salute umana, che potrebbe essere causato da una gestione non conforme dello smaltimento del prodotto. Il riciclaggio dei materiali contribuirà alla conservazione delle risorse naturali. Per ricevere ulteriori informazioni più dettagliate Vi invitiamo a contattare l'ufficio preposto nella Vostra città, il servizio per lo smaltimento dei rifiuti o il negozio in cui avete acquistato il prodotto.

Lo smaltimento del prodotto da parte dell'utente comporta l'applicazione delle sanzioni amministrative previste dalla normativa di legge.

ACHTUNG: Diese Seite sollten Sie zuerst lesen!



Der Blitz mit der Pfeilspitze im gleichseitigen Dreieck soll den Anwender vor nicht isolierter gefährlicher Spannung im Geräteinnern warnen. Diese Spannung kann so hoch sein, dass die Gefahr eines Stromschlags besteht.



Das Ausrufungszeichen im gleichseitigen Dreieck soll den Anwender auf wichtige Bedienungs- und Wartungsanleitungen aufmerksam machen, die im mitgelieferten Informationsmaterial näher beschrieben werden.

ACHTUNG

UM DAS RISIKO EINES STROMSCHLAGS ZU VERMEIDEN; SOLLTEN SIE DAS GERÄT NICHT ÖFFNEN. IM SERVICEFALL WENDEN SIE SICH BITTE AN IHREN HÄNDLER ODER AN EINE AUTORISIERTE SERVICE-WERKSTATT.

Bei der Benutzung elektrischer Geräte sollten einige grundlegende Sicherheitsvorkehrungen getroffen werden. Dazu gehören insbesondere die folgenden:

- 1) Lesen Sie das gesamte Handbuch, bevor Sie das Gerät in Betrieb nehmen.
- 2) Bewahren Sie das Handbuch gut auf.
- 3) Beachten Sie alle Warnhinweise.
- 4) Folgen Sie allen Anweisungen.
- 5) Benutzen Sie das Gerät nicht in Wassernähe.
- 6) Reinigen Sie das Gerät nur mit einem trockenen Tuch.
- 7) Das Gerät muß derart aufgestellt werden, dass eine ausreichende Ventilation gewährleistet ist. Anschließen gem. Anweisungen des Herstellers.
- 8) Dieses Gerät muß vor übermäßiger Wärmeeinstrahlung (Heizkörper, Heizlüfter und andere wärmeproduzierende Einrichtungen) ferngehalten werden.
- 9) Dieses Gerät kann mit einem gepolten Netzanschluß geliefert worden sein (z.B. Steckerstift mit größerem Durchmesser). Falls der Stecker nicht in die Steckdose passen sollte, muß ein Fachmann zu Rate gezogen werden. Nehmen Sie keine Veränderungen am Netzanschluß vor!
- 10) Das Gerät muß in der Nähe eines Netzanschlusses aufgestellt werden. Die verwendete Steckdose sollte leicht zugänglich und in unmittelbarer Nähe des Geräts sein.
- 11) Keine Gegenstände auf das Netzkabel stellen oder derart aufstellen, dass durch das Netzkabel ein Schaden ausgelöst werden könnte (beispielsweise durch Betreten, darüber Stolpern, Gegenstände darüber rollen oder schieben).
- 12) Dieses Gerät darf nur in Verbindung mit einer vom Hersteller empfohlenen oder mitgelieferten Standvorrichtung, bzw. Zubehör betrieben werden.
- 13) Nehmen Sie keine Eingriffe am Gerät vor, es sei denn, Sie werden ausdrücklich in den zugehörenden Dokumentationen (z.B. Bedienungsanleitung) erwähnt. Alle weitergehenden Eingriffe dürfen nur durch qualifizierte Fachleute erfolgen.
- 14) Ziehen Sie den Netzstecker aus der Steckdose im Falle eines Gewitters oder wenn Sie das Gerät längere Zeit nicht benutzen.
- 15) Sie sollten sich an Ihren Kundendienst wenden, wenn:
 - a) Das Netzkabel oder Netzstecker beschädigt sind,
 - b) Gegenstände oder Flüssigkeiten in das Gerät eingedrungen sind,
 - c) das Gerät dem Regen oder Feuchtigkeit ausgesetzt war, oder
 - d) am Gerät Fehlfunktionen auftreten,

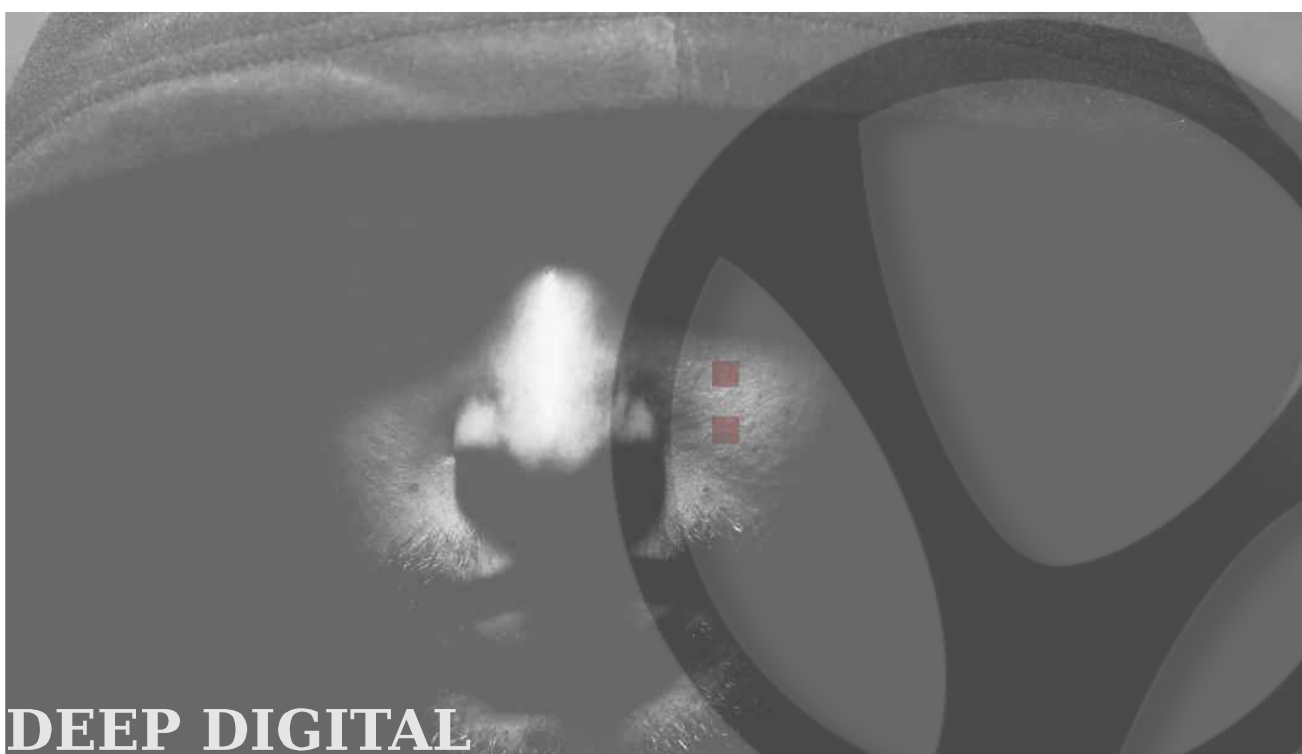


DIESE HINWEISE AUFBEWAHREN



INHALT

Wichtige Hinweise.....	2
Übersicht.....	3
Regler und Anschlüsse.....	6
DSP–Regler.....	8
Powercon–Verbindungen.....	10
RS–485–Verbindungen.....	12
Das Drehen des Horns.....	13
Lautsprecher–Installation.....	14
Anwendungs–Vorschläge.....	18
Technische Daten.....	19
Block–Diagramm.....	20



OPEN SYSTEMS FOR OPEN MINDS

Wir leben in einem wahren Sound–Universum.

Das Aufnehmen und Wiedergeben von Klängen ist zu einem festen Bestandteil unseres Lebens geworden und ist begeisternd und aufregend zugleich. Neue Herstellungsverfahren für Lautsprecher und Verstärker, kombiniert mit einer stetigen Verbesserung der Präzision der Klangwiedergabe, haben uns dazu motiviert die Herausforderung anzunehmen und eine neue Generation von Soundsystemen zu entwickeln, die den gesteigerten Ansprüchen unsere Zeit gerecht werden kann. Das Ergebnis ist VERSE. VERSE, das ist purer Klang in einer Qualität und Durchsetzungskraft, die man von Komponenten dieser Größe nicht erwarten würde. Dank ihrer kompakten Bauweise und dem extrem geringen Gewicht sind die Speaker einfach zu transportieren und werden so zu permanenten Begleitern, die sich problemlos überall hin mitnehmen und einsetzen lassen. Entdecken Sie ihr persönliches Sound–Universum– mit Verse.

Das Verse team



DANKE, DASS SIE SICH FÜR EIN PRODUKT AUS DER VERSE D:SIDER SERIE ENTSCIEDEN HABEN. DIESE BEDIENUNGSANLEITUNG LIEFERT IHNEN WICHTIGE INFORMATIONEN UND TIPPS UM IHR D:SIDER SYSTEM BESTMÖGLICH NUTZEN ZU KÖNNEN. DAS VERSE-TEAM WÜNSCHT IHNEN VIEL SPAß BEI IHRER ARBEIT!

WICHTIGE HINWEISE

GEHEN SIE SCHONEND MIT IHREM GERÄT UM

- Wenden Sie bei der Bedienung niemals Gewalt an (Regler, Schalter). Vermeiden sie beim Transport starke Stöße.
- Belasten sie die Lautsprecher nie übermäßig - nicht während des Transports und auch nicht während des Betriebs.
- Platzieren Sie die Lautsprecher niemals in der Nähe von Heizungen/Wärmequellen, in feuchten oder staubigen Räumen oder im Umfeld starker Magnetfelder.
- Platzieren sie die Lautsprecher, falls möglich, nicht in unmittelbaren Umgebung von Geräten die starke Interferenzen aussenden, so wie Radios, Fernsehgeräte, Monitore etc. .
- Reinigen Sie die Komponenten nur mit einer weichen Bürste oder Druckluft. Verwenden Sie niemals alkohol- oder lösungsmittelhaltige Putzmittel.
- Wenn Sie ein Kabel entfernen, sollten Sie immer direkt am Stecker und nicht am Kabel ziehen. Achten Sie beim Zusammenlegen der Kabel darauf, dass sich keine Knoten, Verdrehungen oder Schlingen bilden.
- Setzen Sie die Lautsprecher niemals direkter Sonnenbestrahlung aus.

ANSCHLUSS ANS STROMNETZ

- Um das Risiko eines Stromschlags zu vermeiden, sollten Sie die Verbindung mit dem Netz auf keinen Fall mit nassen oder feuchten Händen herstellen.
- Stellen Sie sicher, dass das von Ihnen verwendete Stromnetz den Vorgaben auf dem Bedien-Panel entspricht.
- Verbinden Sie die Lautsprecher nur mit geerdeten Steckdosen.

VERBINDUNG MIT EINEM MISCHER

- Verwenden Sie ausschließlich hochwertige, abgeschirmte Kabel.
- Stellen Sie vor dem Anschluss sicher, dass die Lautsprecher auf jeden Fall ausgeschaltet sind. Auf diese Weise vermeiden Sie laute oder sogar gefährliche Signal-Spitzen.

IM FALLE EINER FEHLFUNKTION

- Setzen Sie sich im Falle einer Fehlfunktion umgehend mit einem autorisierten Service-Center in Verbindung.



ÜBERSICHT

Die Basis für die Entwicklung von VERSE Lautsprechern bildete die Erkenntnis, dass Sprach- und Musikübertragungen nur dann als perfekt empfunden werden, wenn sie klar und definiert sind, Volumen und Druck haben ohne zu verzerren und dabei so angenehm klingen, dass man ihnen gerne zuhört. Außerdem sollten die Systeme Stil übergreifend einsetzbar sein und in jedem Ambiente erstklassig funktionieren. Egal ob man im kleinen Club, einer großen Halle oder Open-Air aufbaut, einzelne Instrumente oder gleich ein ganzes Orchester bedienen muss. Um dies zu erreichen, setzen wir bei der Produktion unserer Boxen ausschließlich auf modernste Designs, Materialien und Fertigungsverfahren. Das Ergebnis sind Systeme mit einer enormen Leistungsfähigkeit und beruhigenden Dynamikreserven - was man spätestens dann zu schätzen weiß, wenn man in Situationen kommt in denen ein Plus an Power gefragt ist.

Mit Verse Systemen entdecken sie neue Horizonte - ein echtes uniVerse.

- präzise und präzente Stimmübertragung und eine klare Abbildung aller Instrumentengattungen.
- Natürliche, dynamische Tiefen, die nicht aufgepumpt wirken und dennoch für ein echtes physisches Erlebnis sorgen.
- kristallklare Höhen, die sich durchzusetzen wissen, aber zu keiner Zeit als störend oder unangenehm empfunden werden.
- eine direkte und sehr natürliche Reaktion auf die Klangregelung, so dass der Benutzer den Sound optimal an seine persönlichen Vorlieben und/oder die Ansprüche der gerade zu beschallenden Räumlichkeiten anpassen kann.

TECHNOLOGIE

DIGITAL-VERSTÄRKER

Die Digital-Technik hat die Entwicklung professioneller Audio-Verstärker revolutioniert. Keine andere Technik ist in der Lage mehr Leistung bereit zu stellen - von der Haltbarkeit mal ganz abgesehen. Die auf ein Minimum reduzierte Wärmeentwicklung und ein überragendes Leistungs/Gewichtsverhältnis der in VERSE D:SIDER Boxen verwendeten Digitalverstärker, sorgen für ein perfektes Handling und enorme Leistungsreserven. Die Endstufen der Verstärker erreichen eine Effizienz von unglaublichen 95%. Das heißt in der Praxis, dass nur 5% der verwendeten Energie in Wärme umgewandelt wird. Der Rest geht im Audiosignal auf. Grundsätzlich hängt die Effizienz eines Systems nicht zwingend von der Ausgangslautstärke ab. Da die durchschnittliche Leistungsdichte einer Standardanwendung bei ca. 40% der maximal zu erreichenden Lautstärke liegt, können konventionell aufgebaute Verstärker ganz leicht 10 mal mehr Hitze erzeugen, als ein VERSE Gerät auf gleichem Lautstärke-Niveau.



Um eine optimale Zuverlässigkeit und Haltbarkeit garantieren zu können, kommen VERSE Verstärker mit einem Kurzschluss-Schutz, einem Überhitzungs-Schutz mit thermostatgesteuerter Lüfter-Geschwindigkeit (sorgt dafür, dass die Betriebs-Temperatur nicht über 60° Celsius steigt) und einer Abschaltautomatik, die den Verstärker deaktiviert, sobald er ein Wärme-Level erreicht, welches einen Schaden zur Folge haben könnte. Außerdem haben die VERSE Lautsprecher ein Filter zur Eliminierung extrem hochfrequenter Signale und Störungen, die den Klang negativ beeinflussen könnten. Das ITP System (Intelligent Thermal Protect) ist ein Garant für eine optimale Performance und eine lange Lebensdauer der Lautsprecher.

HOCHWERTIGE KOMPONENTEN

Als perfekte Partner der verwendeten Hochleistungsverstärker setzt VERSE auf Lautsprecher die in der Lage sind, den Klang und die Leistung perfekt und sicher umzusetzen. Die Woofer kommen mit Neodymium Magneten und belüfteten Schwingspulen. Dies sorgt für definierte, dynamische Bässe und einen hohen Schalldruck bei einem geringen Gewicht.

Die Hörner (spheric waveguide type) sind asymmetrisch aufgebaut, bieten eine Abstrahlung von 50° in die eine und 100° in die andere Richtung und können bei Bedarf gedreht werden. Auf diese Weise lassen sich die Boxen sowohl aufrecht stehend auf einem Ständer montiert einsetzen, als auch liegend als Monitore.

Die Hochtöner kommen mit einer Titan-Membrane, welche die Effizienz im Hochfrequenzbereich erhöht, die Frequenzwiedergabe verbessert, die Reaktionszeit beschleunigt und eine optimale Haltbarkeit garantiert.

DIGITALE SIGNALVERARBEITUNG

Die Signalverarbeitung aller D:SIDER Lautsprecher wird über hochwertige DSP-Prozessoren realisiert, die sich mit Hilfe einer speziellen Editor-Software über den PC fernbedienen lassen. Ausgefeilte und innovative Verarbeitungs-Algorithmen schützen alle Komponenten des Systems, ohne dabei die Dynamik der Signalquelle negativ zu beeinflussen. Digitale Limiter greifen unhörbar ein sobald die Sicherheitsschwelle der Übertrager oder die maximale Verstärker-Leistung überschritten wird und schützen die Lautsprecher so effektiv vor zu hohen Eingangs-Pegeln. Parallel dazu überwacht ein 12-Band Feedback-Remover den Signalweg und erstickt aufkommende Rückkopplungs-Tendenzen im Keim - ohne Phasen-Verzerrung.

Die Prozessor-Sektion ist außerdem mit einem Multi-Bandkompressor, einer Delay-Line, sechs parametrischen Equalizern und einer dynamischen Loudness-Kontrolle ausgerüstet. Die digitale Delay-Line kompensiert vertikale Verzögerungen zwischen Subwoofern und Satelliten-Boxen und verhindert gleichzeitig Echo-Effekte, die bei der Beschallung großer Räume



mit mehreren Boxen entstehen (siehe auch „Anwendungsvorschläge“). Das Team aus Multicomp–Prozessor und dynamischer Loudness–Sektion kann sich als besonders nützlich erweisen, wenn es um die Dynamik des Systems geht. Während die dynamische Loudness versucht das Ausgangs–Level entsprechend der bekannten „Fletcher&Munson“ Kurve anzupassen und so die Klangdichte und Dynamik des Original–Sounds auch bei minimalen Signal–Leveln zu erhalten, eröffnet der Multicomp die Möglichkeit die dynamische Bandbreite des Audio–Signals intensiver zu bearbeiten. Der vollparametrische 6–Band EQ kann dazu genutzt werden das Ausgangs–Signal effektiv und zielgerichtet an den Raum, den jeweiligen Musik–Stil, den Grundklang der Speaker und natürlich den persönlichen Geschmack anzupassen.

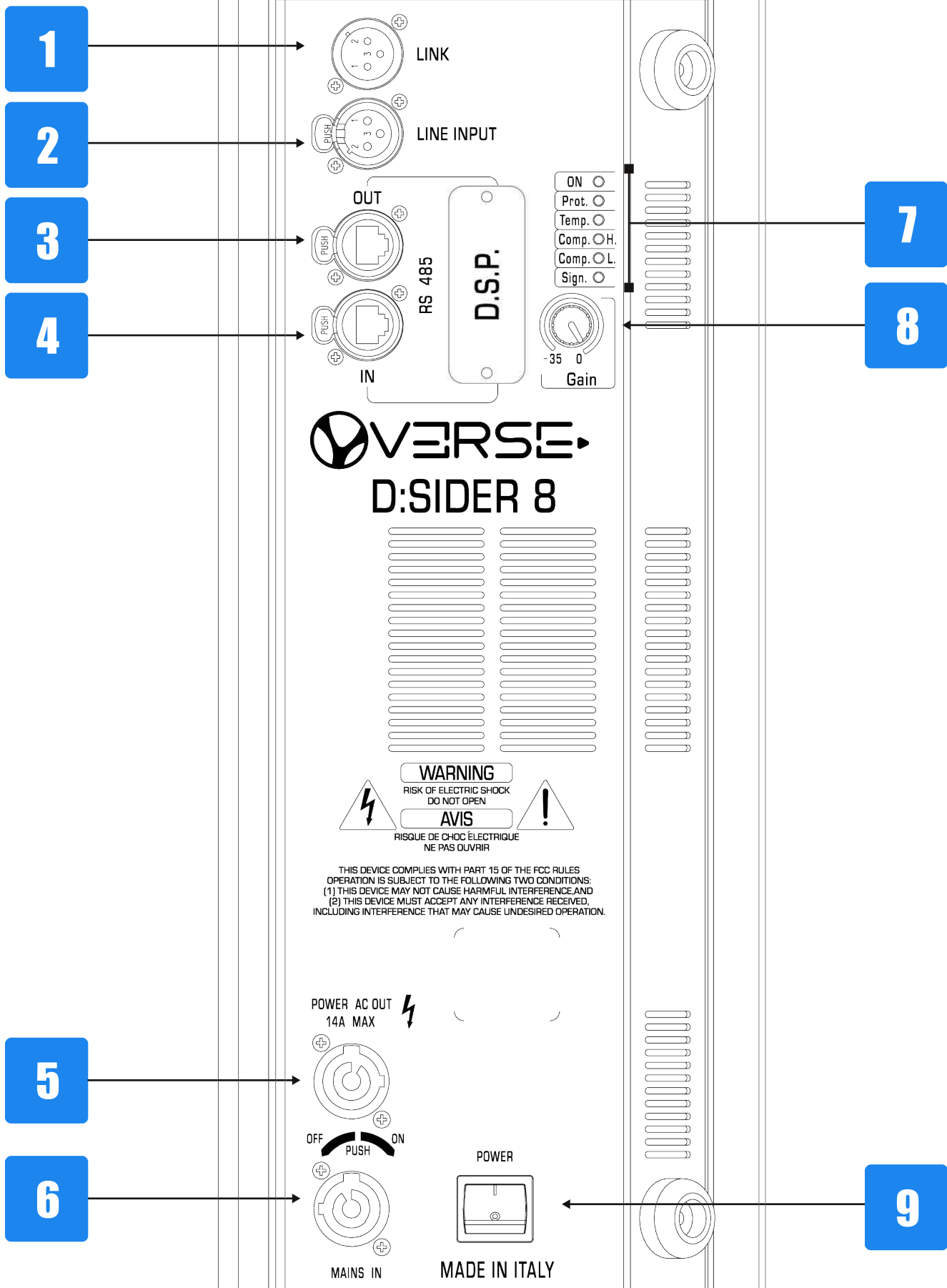
D:SP EDITOR

Um jeden Parameter Ihres Lautsprechers schnell und einfach bearbeiten zu können, haben wir einen Software–Editor entwickelt. Dieser ermöglicht es in direkten Kontakt mit den Speakern zu treten und beispielsweise die Klangregelung zu bearbeiten. Gleichzeitig kann man sich aber auch Lautstärke–Einstellungen, den Status und Zustand jedes an das Netzwerk angeschlossenen Lautsprechers, Echtzeit–Infos über die Temperatur, Signal–Übersteuerungen, Limiter–Aktivitäten und eine Reihe weiterer Status–Informationen des D:SIDERS anzeigen lassen.



Ein Screenshot des optional erhältlichen D:SP Editors

REGLER UND ANSCHLÜSSE



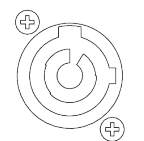
VERSE
D:SIDER 8

WARNING
RISK OF ELECTRIC SHOCK
DO NOT OPEN

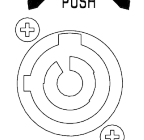
AVIS
RISQUE DE CHOC ELECTRIQUE
NE PAS OUVRIR

THIS DEVICE COMPLIES WITH PART 15 OF THE FCC RULES
OPERATION IS SUBJECT TO THE FOLLOWING TWO CONDITIONS:
(1) THIS DEVICE MAY NOT CAUSE HARMFUL INTERFERENCE AND
(2) THIS DEVICE MUST ACCEPT ANY INTERFERENCE RECEIVED,
INCLUDING INTERFERENCE THAT MAY CAUSE UNDESIRE OPERATION.

POWER AC OUT
14A MAX

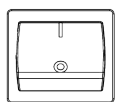


OFF PUSH ON



MAINS IN

POWER



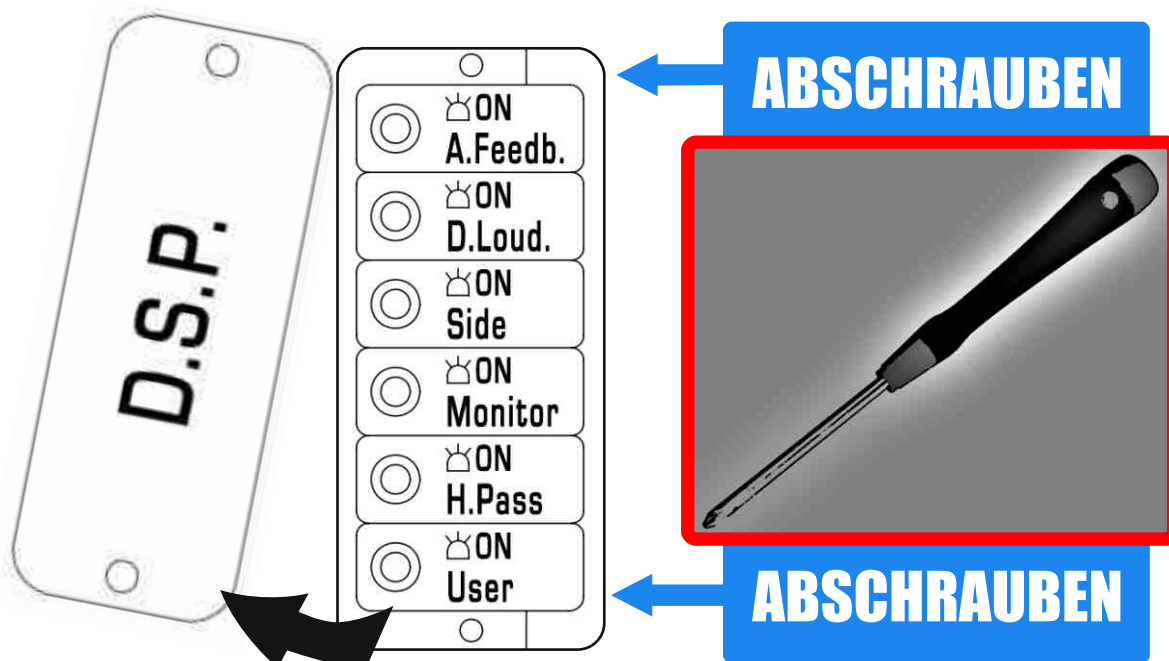
MADE IN ITALY



1. LINK: liefert das gleiche Signal, das über den Line Input (2) eingespeist wird und unterstützt so den Anschluss weiterer VERSE Einheiten an ein und dieselbe Signalquelle
2. Line input: symmetrierte XLR Buchse zur Einspeisung des zu verstärkenden Signals.
3. RS485 OUT : Etherconn–Anschluss zur digitalen Verbindung mit dem RS485 Eingang des nächsten Speakers in der Reihe (Reihenschaltung, Daisy Chain)
4. RS485 IN : Etherconn–Anschluss zur Verbindung mit dem digitalen Netzwerk. Verbinden Sie den Eingang mit dem RS485–Ausgang des vorherigen Speaker in der Reihe. Ist der Speaker der erste in der Reihe kann hier der Ausgang des USB–485 Interface (D:SP INTERFACE) angeschlossen werden.
5. AC NETZ–AUSGANG: Dient der Stromversorgung eines weiteren VERSE Lautsprechers. Achten Sie unbedingt darauf, dass das angegebene Leistungslimit nicht überschritten wird. Entsprechende Angaben finden Sie auf dem Chassis in der Nähe der grauen Anschlussbuchse.
6. Mains In: Verbinden Sie das mitgelieferte Netzkabel mit dem Stromnetz.
7. LED's:
 - ON LED: leuchtet bei eingeschaltetem Lautsprecher.
 - Prot. LED: zeigt an, dass der Verstärker wegen eines internen Fehlers oder eines Fehlers in einem der angeschlossenen Lautsprecher, in den Schutzmodus geschaltet hat (bitte rufen Sie in einem solchen Fall die Telefon–Hotline an).
 - Temp. LED: zeigt an, dass der integrierte Verstärker wegen Überhitzung in den Schutzmodus geschaltet hat. In dieser Einstellung liefert der Verstärker nur noch die halbe Leistung. Bitte reduzieren sie das Eingangs–Level und erlauben dem Verstärker so, die normalen Betriebs–Bedingungen wieder herzustellen.
 - Comp. H. LED: zeigt Aktivitäten des High–Frequency–Kompressors an. Wenn das Signal eine Sicherheitsmarke überschreitet, garantiert der Kompressor eine gute Klangqualität ohne akustische Verzerrungen, indem er ausschließlich die verzerrenden Frequenz dämpft. Das System arbeitet absolut sicher. Leuchtet die LED permanent, sollte die Stärke des Eingangssignals reduziert werden.
 - Comp. L. LED: zeigt Aktivitäten des Bass–Kompressors an. Wenn das Signal eine Sicherheitsmarke überschreitet, garantiert der Kompressor eine gute Klangqualität ohne akustische Verzerrungen, indem er ausschließlich die verzerrenden Frequenzen dämpft. Das System arbeitet absolut sicher. Leuchten die LED permanent, sollte die Stärke des Eingangssignals reduziert werden.
 - Sign. LED: zeigt ein anliegendes Signal an.
8. Gain: reguliert die Signal–Vorverstärkung in einem Bereich zwischen – 35dB und 0dB.
9. POWER: Schaltet das Gerät ein/aus

DSP-REGLER

Alle Lautsprecher der D:SIDER Serie sind mit einem kraftvollen DSP (Digital Signal Processor) ausgestattet, der die komplette Signal-Verarbeitung managed. Einige der Funktionen lassen sich über ein einfaches 6-LED Interface kontrollieren. Dieses verbirgt sich hinter einer Abdeck-Platte mit der Aufschrift „DSP“. Die Demontage dieser Abdeckung wird in der folgenden Skizze beschrieben. Die einzelnen Funktionen lassen sich durch Drücken der entsprechenden Taster aktivieren.



Hier die Liste der LED-Taster - inklusive entsprechender Funktions-Beschreibungen

- A.Feedb: aktiviert den automatischen Feedback-Remover (Rückkopplungs-Unterdrücker). Das System besteht aus einer Schaltung, die das Signal permanent auf akustische Feedbacks überprüft. Tritt eine Rückkopplung auf wird diese durch 12 adaptive Notch-Filter unterdrückt. Das System erkennt aufkommende Rückkopplungen in Echtzeit, lokalisiert die „schuldige“ Frequenz und aktiviert anschließend ein sehr schmales Notch-Filter (mit einem Q-Faktor von bis zu 1/40 Oktaven), um die Frequenz zielgenau zu eliminieren.
- D.Loudn.: aktiviert eine dynamische Klangregelung die dazu dient, eine natürliche Limitierungen des menschlichen Gehörs zu kompensieren (Abnahme der Bass- und Höhen-Wahrnehmung bei größer werdenden Lautstärken). Die Klangregelung arbeitet dynamisch, das heißt es findet, abhängig von der jeweils eingestellten Gesamtlautstärke, eine kontinuierliche Anpassung des gelieferten Frequenzspektrums statt die dabei hilft, die natürliche Limitierung des menschlichen Gehörs zu kompensieren.



- Side: aktiviert eine Klangregelung, die speziell darauf abgestimmt wurde, wenn man zwei D:SIDER Lautsprecher nebeneinander aufbauen möchte.
- Monitor: aktiviert eine Klangregelung, die speziell darauf abgestimmt wurde, wenn man einen D:SIDER Lautsprecher als Monitor verwenden möchte.
- H.pass: aktiviert ein Hochpass–Filter und bereitet das Signal so optimal auf die Verwendung von Subwoofern der D:SUB Serie vor. Ist die Schaltung deaktiviert, verhalten sich die integrierten Lautsprecher wie Full–Range Speaker, eingeschaltet arbeiten sie wie die Satelliten–Boxen des Subwoofers.
- User: aktiviert die mit Hilfe des Software–Editors erstellten „User–Settings“. Der D:SP Editor ist separat erhältlich. Schaltet man die Funktion aus werden automatisch die Werks–Einstellungen aktiviert.

Hinweis: Die „User–Presets“ sind von Werk ab nicht konfiguriert. Daraus folgt, dass der Sound zunächst einmal gleich bleibt; egal ob die „User–Funktion“ ein– oder ausgeschaltet ist.

AUTOMATISCHER FEEDBACK REMOVER

Beachten Sie bitte folgende Punkte:

- Der automatische Feedback–Remover kann zwar nicht alle Rückkopplungs–Phänomene unterdrücken, kann diese aber massiv reduzieren. So wird es möglich höhere Lautstärken zu fahren, oder das System in grundsätzlich kritischen Bedingungen zu verwenden (z.B. Mikrofone vor den Lautsprechern, Mikrofone, die sich auf der Bühne bewegen etc.).
- Wenn der automatische Feedback–Remover eingeschaltet ist blinkt die LED, sobald mindestens eines der 12 Filter eine kritische Frequenz bearbeitet.
- Um alle aktiven Filter zu entfernen, beispielsweise wenn sich die Position der Mikrofone und der Lautsprecher verändert hat, halten Sie den A.Feeb. Taster für ca. 3 Sekunden gedrückt. Die LED wird aufhören zu blinken und so anzeigen, dass im Augenblick kein Filter aktiv ist.

POWERCON-VERBINDUNGEN

Dank der praktischen POWERCON-Anschlüsse und der LINK-Ausgänge an jedem Gerät, kann man einen separaten Anschluss der einzelnen Elemente an das Stromnetz und die dadurch entstehenden Probleme umgehen. Alle Verse-Systeme werden mit Spezialkabeln ausgeliefert, die paarweise aus einem POWERCON – und einem XLR – Kabel bestehen. Diese machen es möglich eine VERSE D:SIDER Box über eine zweite VERSE D:SIDER oder VERSE D:SUB Einheit mit Strom und einem entsprechenden Signal zu versorgen. Die Subwoofer kommen mit einem doppelten Output Link, der die Realisation eines 2-Kanaligen Setups vereinfacht.

Wichtiger Hinweis: Beim Kauf eines einzelnen Verse-Lautsprechers z.B. als Ersatz- oder Ergänzungs-Box, müssen die passenden Custom-Kabel separat erworben werden.

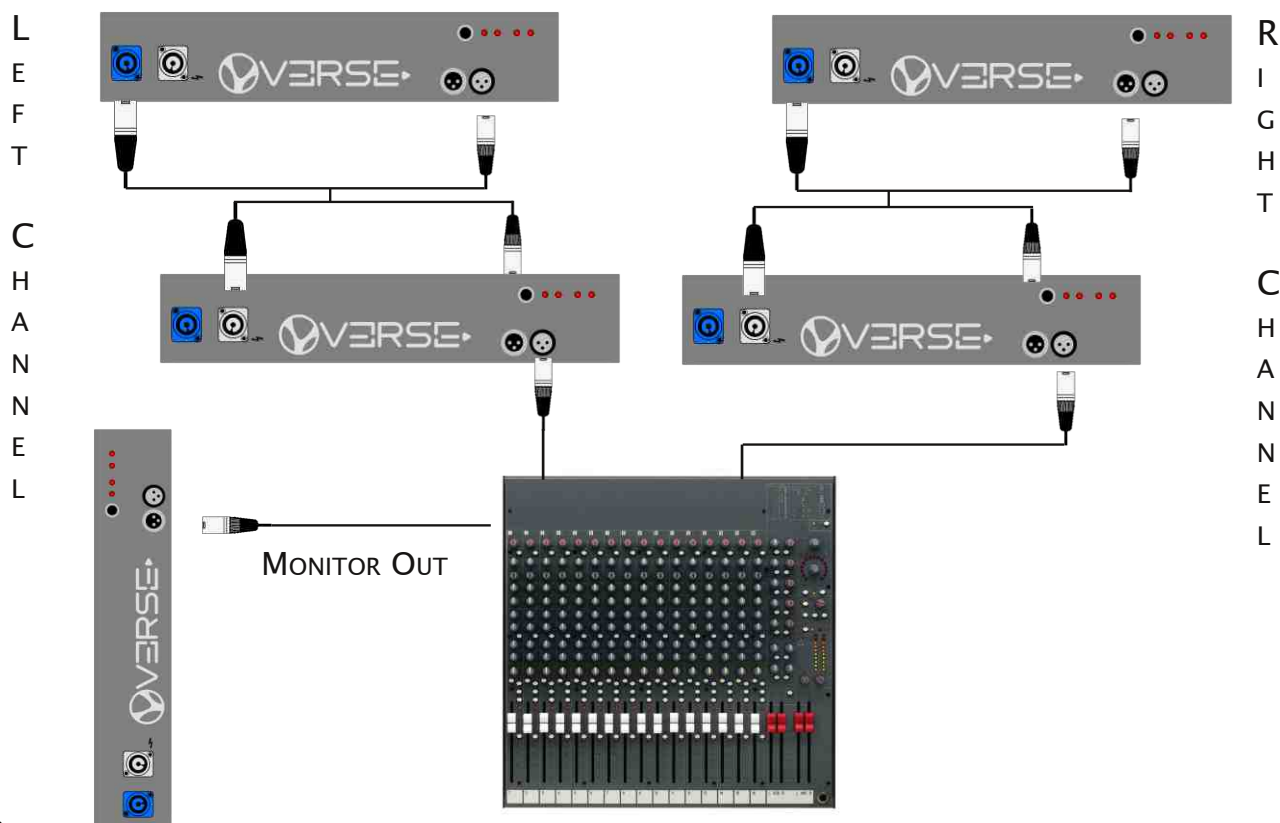


Der Powercon Stromnetz Anschluss



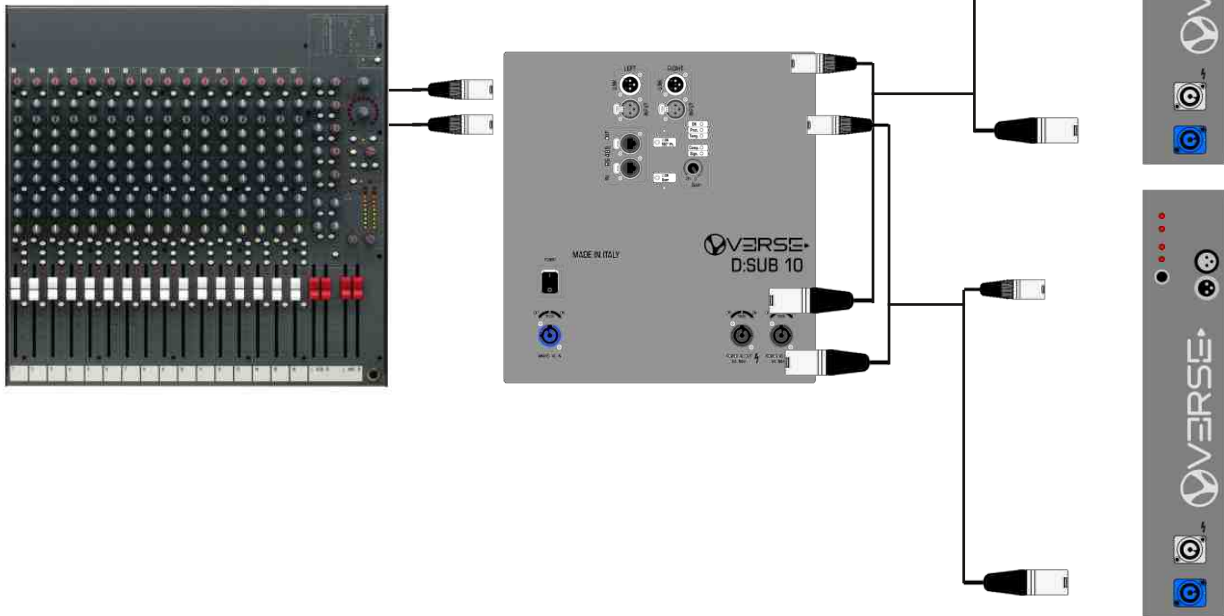
Die kundenspezifische Kabel im Lieferumfang der VERSE system

Konfiguration 1. Direkte Mixer-Verbindung + Monitor

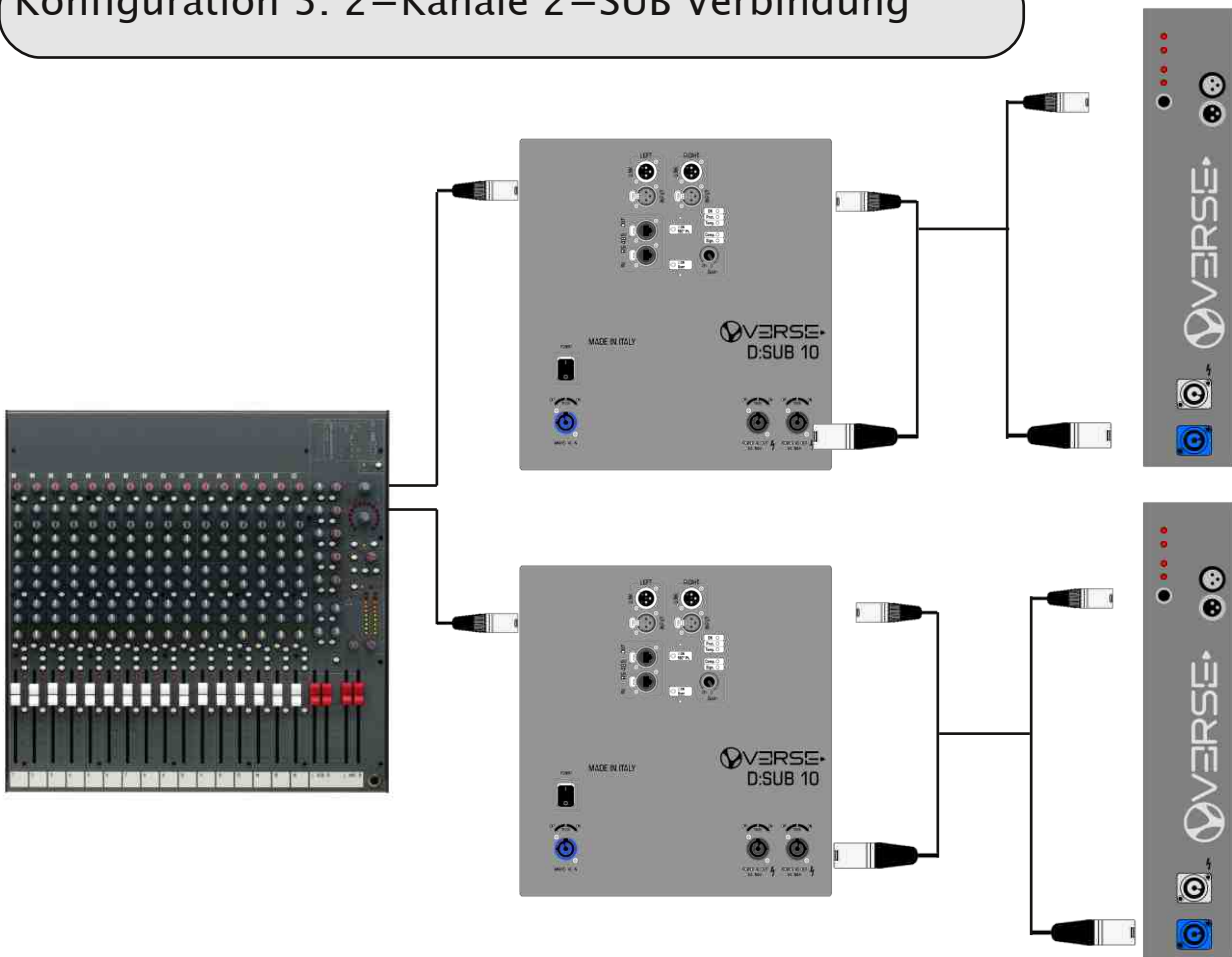




Konfiguration 2. 2-Kanäle 1-SUB Verbindung



Konfiguration 3. 2-Kanäle 2-SUB Verbindung



RS-485-VERBINDUNGEN

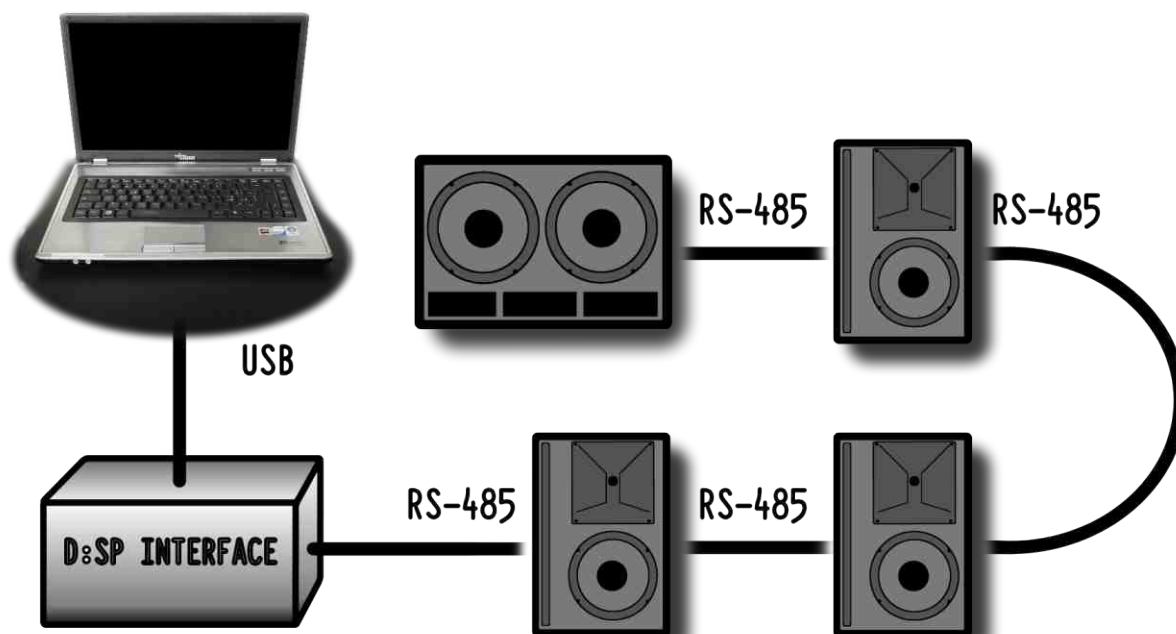
Auf die DSP-Funktionen hat man nicht nur (wie bereits beschrieben) am Lautsprecher selber Zugriff. Mit Hilfe eines separaten RS485 Remote Control Interfaces und eines PCs lassen sich detailliertere Konfigurationsarbeiten komfortabel und übersichtlich von „außen“ vornehmen. Zu diesem Zweck bieten wir das USB-485 Interface (D:SP Interface) und eine entsprechende PC-Software an (D.SP Editor). Diese Kombination bietet unmittelbaren Zugriff auf eine Vielzahl von Parametern innerhalb der Signal-Verarbeitung. Außerdem werden im Editor wichtige Aspekte der Lautsprecher-Funktionen in Echtzeit dargestellt.

Durch Verbindung im sogenannten Daisy-Chain Verfahren (also in Reihe) wird es möglich mit nur einem USB-485 Interface bis zu 127 unterschiedliche Lautsprecher zu kontrollieren. Eine komplette Beschreibung finden Sie in den jeweiligen Bedienungsanleitungen des D:SP Editors und des D:SP Interface.

Um sich ein Bild von den umfangreichen Funktionen des Editors zu machen, gehört eine Demo-Version der Software auf CD zum Lieferumfang ihres Systems. Außerdem steht der Editor auf www.verseaudio.com zum kostenlosen Download bereit.

Hinweis: Verwenden Sie zur Verbindung der D:SIDER Boxen mit dem Netzwerk ausschließlich hochwertige Ethernet-Kabel des Typs CAT5.

In der Abbildung unten sehen Sie ein Beispiel für ein typisches Daisy-Chain Netzwerk eines VERSE D:SIDER Systems.



Warnung: Auch wenn das digitale D:SP Verse Netzwerk mit normalen Ethernet-Kabeln realisiert wird, handelt es sich dabei um KEIN echtes Ethernet-Netzwerk. Deshalb ist es nicht möglich D:SIDER Lautsprecher an übliche Ethernet-Geräte anzuschließen. Das ganze funktioniert ausschließlich mit dem optional erhältlichen VERSE D:SP Interface (USB-485).



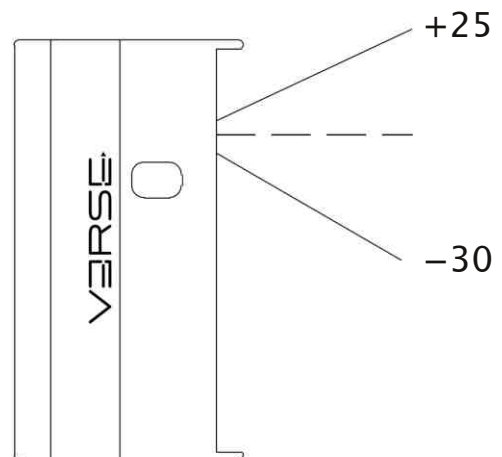
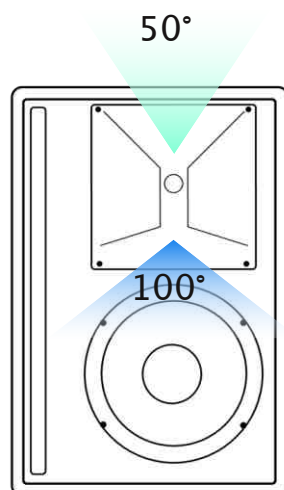
DAS DREHEN DES HORN

Warnung: Auch wenn das digitale D:SP Verse Netzwerk mit normalen Ethernet-Kabeln realisiert wird, handelt es sich dabei um KEIN echtes Ethernet-Netzwerk. Deshalb ist es nicht möglich D:SIDER Lautsprecher an übliche Ethernet-Geräte anzuschließen. Das ganze funktioniert ausschließlich mit dem optional erhältlichen VERSE D:SP Interface (USB-485).



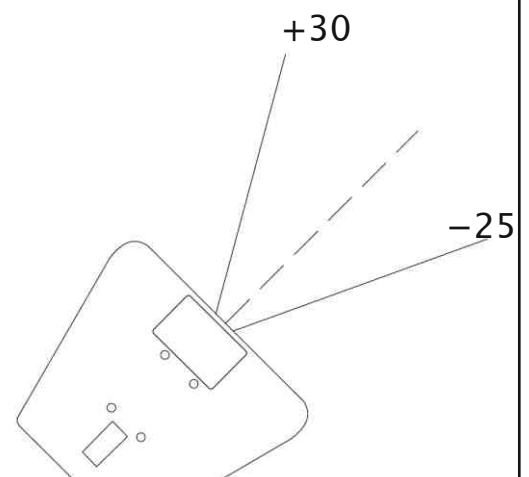
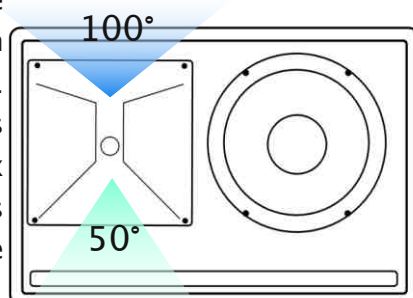
"FRONT OF HOUSE" KONFIGURATION

Das, über das Horn abgestrahlte Signal, erreicht das komplette Publikum: Egal ob ein Zuhörer sehr nah an der Box steht, oder weiter entfernt ist. Die Konfiguration, bei der der steilere Winkel (100°) in Richtung Boden zeigt, empfiehlt sich für die meisten Anwendungen der Box (siehe Abbildung rechts).



"STAGE MONITOR" KONFIGURATION

Für den horizontalen Einsatz im Stil eines Bühnen-Monitors sollte das Horn so gedreht werden, dass der steilere Abstrahlwinkel nach oben in Richtung Decke zeigt. So ist sichergestellt, dass der direkt vor der Box stehende Musiker das Signal optimal hört (siehe Abbildung rechts).



LAUTSPRECHER-INSTALLATION

Die D:SIDER Boxen sind bestmöglich auf alle Eventualitäten im Rahmen eines Einsatzes vorbereitet. So lassen sich die Boxen mittels eines Montage-Flansches auf der Unterseite, auf jedem handelsüblichen Boxenständer befestigen. Aber auch die Kombination mit einem D:SUB Lautsprecher ist möglich, da dieser über ein entsprechendes Montage-Flansch an der Oberseite verfügt. Mit einem separat erhältlichen „Flying Kit“ hat man parallel dazu die Möglichkeit die Boxen aufzuhängen.

Das VERSE Flying Kit für D:SIDER Speaker besteht aus:

- 2x Flying-Montage-Schienen
- 4x Doppel-Bolzen & Ring
- 16x Schrauben
- 1x Augbolzen
- 1x Inbus-Schlüssel

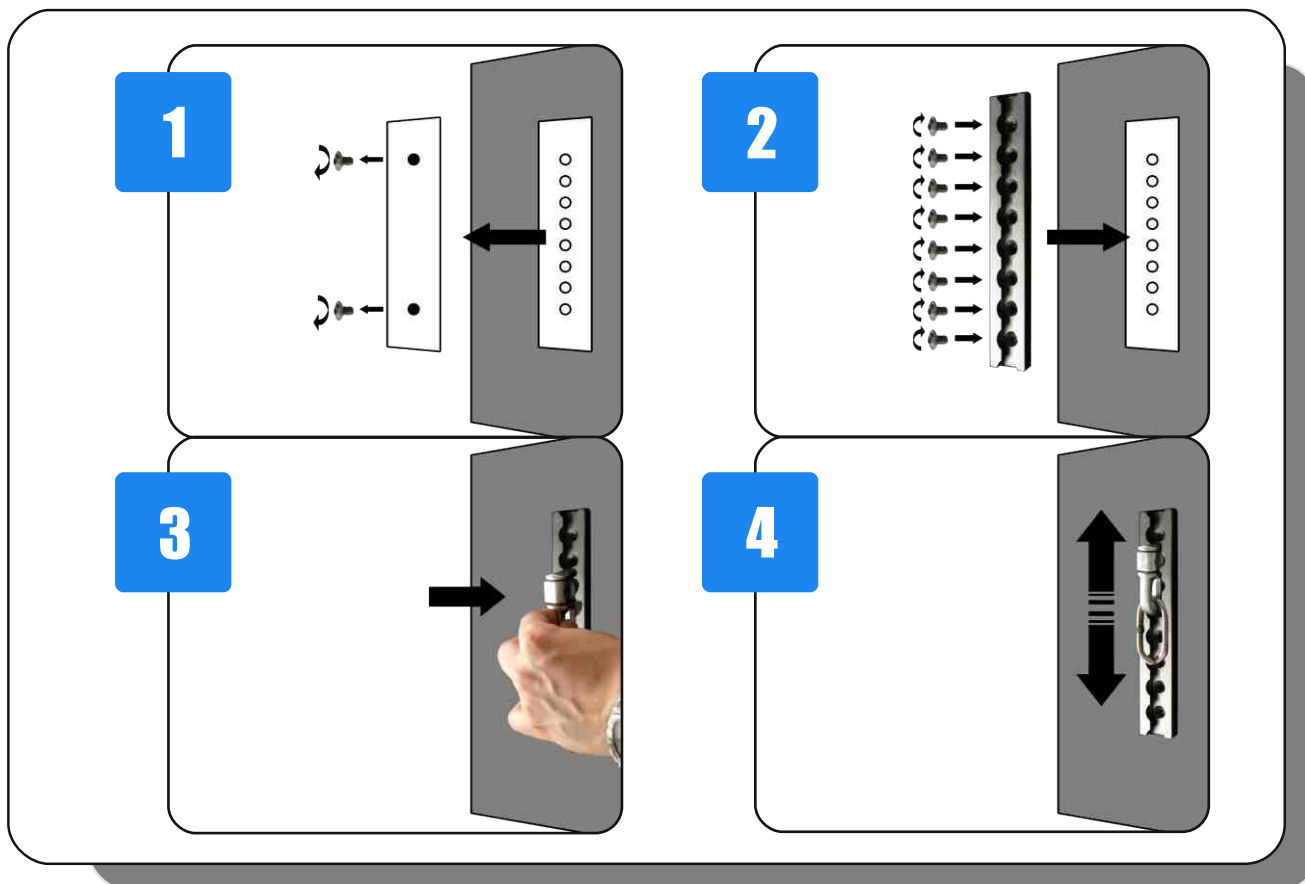
Hinweis: Metallketten sind nicht im Kit enthalten.

Der Inhalt vom Flying Kit ist in der untere Abbildung abgebildet.



Inhalt des VERSE Flying Kits

Eine entsprechende Beschreibung der Installation des Flying Kits am Lautsprecher-Chassis folgt auf der nächsten Seite.



1. Entfernen Sie die an der Seite der Lautsprecher-Box angebrachte Metal-Abdeckung durch Lösen der beiden Fixierungs-Schrauben.
2. Ersetzen Sie die Metal-Platte durch die Flying-Montage-Schiene und fixieren Sie diese mit Hilfe der mitgelieferten Schrauben (acht).
3. Befestigen Sie die beiden Bolzen an der Montage-Schiene.
4. Abhängig vom jeweiligen Einsatzgebiet lassen sich die Bolzen auf der Montage-Schiene verschieben.

Wiederholen Sie das Ganze auf der anderen Boxen-Seite.

Warnung: Heben Sie die beiden Original-Schrauben und die demontierte Metal-Abdeckplatte gut auf. Das erspart Ihnen langes Suchen (oder Neukauf), sollten Sie die Montage-Schiene wieder entfernen wollen.

Hinweis: Aus Sicherheitsgründen wird der Einsatz von Augbolzen dringend empfohlen. Dabei sollte je ein Augbolzen fest in die entsprechenden Löcher an den D:Sider Boxen geschraubt werden. Um das Risiko des Herunterfallens zu minimieren sollte die Box anschließend an diesem Augbolzen mit einem Drahtseil (Safety) gesichert werden.



SICHERHEITSEMPFEHLUNG FÜR DISTANZSTANGEN UND STATIVE

Dieses Handbuch setzt voraus, dass die Besitzer und/oder Benutzer eines VERSE Systems Kenntnisse und Erfahrungen auf dem Gebiet Stativbenutzung mit Lautsprechersystemen besitzen.

Das Aufhängen großer schwerer Gegenstände an Distanzstangen oder Stative an öffentlichen Orten unterliegt zahlreichen Gesetzen und Regelungen auf den National-/Bundes-, Staats-/Landes- und örtlichen Ebenen, auf die wir in diesem Handbuch nicht eingehen werden. Trotzdem muss der Benutzer verantwortlich sicherstellen, dass die Verwendung von jeglichen VERSE Systemen, deren Komponenten und allen Ständern und Distanzstangen und dazu gehörigen Hardware unter allen Umständen und in allen Orten allen zutreffenden Gesetzen und Regelungen entspricht, die jeweils zu dem Zeitpunkt Gültigkeit haben.

BEI DER BENUTZUNG VON STÄNDERN UND DISTANZSTANGEN BITTE DIE FOLGENDEN VORSICHTSMAßNAHMEN BEACHTEN:

DIE SPEZIFIKATIONEN DES STÄNDERS ODER DER DISTANZSTANGE ÜBERPRÜFEN, UM SICHERZUSTELLEN, DASS DAS GERÄT DAFÜR KONZIPIERT IST, DIE LAST DES LAUTSPRECHERS ZU TRAGEN.

BITTE BEFOLGEN SIE ALLE VORSICHTSMAßNAHMEN DES HERSTELLERS ZUR GEWÄHRLEISTUNG DER SICHERHEIT.

STELLEN SIE SICHER, DASS DIE OBERFLÄCHE, AUF DER DAS SYSTEM GESTAPELT WERDEN SOLL, EBEN, STABIL UND OHNE GEFÄLLE IST.

LEITEN SIE DIE KABEL SO, DASS WEDER KÜNSTLER, DAS PRODUKTIONSTEAM NOCH DAS PUBLIKUM DARÜBER STOLPERN KÖNNEN UND DEN LAUTSPRECHER UMKIPPEN. PRÜFEN SIE DEN STÄNDER (ODER DIE DISTANZSTANGE UND DIE ZUGEHÖRIGE HARDWARE) VOR JEDEM GEBRAUCH UND VERWENDEN SIE KEINE GERÄTE MIT ABGENUTZTEN, BESCHÄDIGTEN ODER FEHLENDEN TEILEN.

VERSUCHEN SIE NICHT MEHR ALS EINEN VERSE D:SIDER LAUTSPRECHER AUF EINEN STÄNDER ODER EINE DISTANZSTANGE ZU STELLEN/MONTIEREN. SEIEN SIE IMMER VORSICHTIG WENN SIE DAS SYSTEM IM FREIEN AUFSTELLEN, UNERWARTETE WINDBÖEN KÖNNEN EIN SYSTEM UMKIPPEN. ES KANN NOTWENDIG WERDEN, ZUSÄTZLICHE GEWICHTE (Z. B. SANDSÄCKE) AM FUß DES STÄNDERS ZU PLATZIEREN, UM DESSEN STABILITÄT ZU VERBESSERN. BEFESTIGEN SIE KEINE FAHNEN ODER ÄHNLICHES AN IRGEND EINEM TEIL EINES DER LAUTSPRECHERSYSTEME. SOLCHE ZUSÄTZE KÖNNTEN ALS SEGEL FUNKTIONIEREN UND STABILITÄT STARK GEFÄHRDEN.

FALLS SIE NICHT SICHER SIND, DASS SIE DAS GEWICHT DES LAUTSPRECHERS ALLEIN BEWÄLTIGEN KÖNNEN, BITTEN SIE JEMAND, IHNEN DABEI ZU HELFEN, DIESEN AUF DEN DREIFUßSTÄNDER ODER DIE DISTANZSTANGE ZU HEBEN.

Wenn man die VERSE Lautsprecher auf einem Stativ montiert, muss sichergestellt sein, dass das System stabil steht um ein Kippen zu vermeiden. Die Stabilität wird durch die Höhe der Platzierung des Lautsprechers und die Ausbreitung der Füße bestimmt.

Da die Benutzer für eine korrekte Aufstellung und eine genaue Stabilitätsprüfung verantwortlich gemacht werden, könnte folgendes als Referenz hilfreich sein:

Bei Verwendung eines Stativs mit mindestens 168 cm Fußbreite, kann man den



Lautsprecher bis auf 180 cm Höhe platzieren.

Wenn man VERSE Lautsprecher auf eine Distanzstange im Zusammenhang mit einem dazugehörigen Subwoofer aufstellt, hängt die maximale Höhenplatzierung des Satelliten von den Abmessungen des Subwoofer ab.

Vorausgesetzt, dass Benutzer zur Verantwortung bezüglich der korrekten Installation und genauem Stabilitätskontrolle beauftragt werden, können diese Hinweisrichtlinien aus folgender Tabelle entnommen werden:

	D:SIDER 8	D:SIDER 10	D:SIDER 12	D:SIDER 15
D:SUB 10	max 90 cm	no	no	no
D:SUB 15	max 130cm	max 130cm	max 90cm	no
D:SUB 18	max 130cm	max 130cm	max 130cm	max 130cm
D:SUB 215	max 130cm	max 130cm	max 130cm	max 130cm

SICHERHEITSEMPFEHLUNGEN BEI „HÄNGENDER MONTAGE“

In dieser Bedienungsanleitung gehen wir davon aus, dass die Besitzer und/oder User eines Verse–Systems bereits Erfahrungen im Aufbau und der „hängenden“ Montage von Lautsprecher–Systemen haben.

Das Aufhängen von großen, schweren Objekten in öffentlich zugänglichen Bereichen wird in den einzelnen Ländern durch zahllose Gesetze und Regularien geregelt. Diese haben wir in dieser Bedienungsanleitung nicht abgedruckt.

Der User übernimmt die volle Verantwortung dafür, dass die Montage des Verse–Systems und seiner Komponenten konform zu den jeweils anzuwendenden Gesetzen und Sicherheitsempfehlungen des Landes geschieht, in dem die Montage stattfindet.

VIELE DER FÜR EINEN SICHEREN BETRIEB ENTSCHIEDENDEN ASPEKTE, WIE ZUM BEISPIEL DER TECHNISCHE UND MECHANISCHE ZUSTAND DER VOR ORT ANGEBOTENEN MONTAGE–PUNKTE ODER DEREN GRUNDSÄTZLICHE EIGNUNG, KÖNNEN IN DIESER BEDIENUNGSANLEITUNG NICHT BERÜCKSICHTIGT WERDEN. DER BENUTZER ÜBERNIMMT DIE VOLLE VERANTWORTUNG FÜR DEN EINSATZ EINES VERSE–SYSTEMS AN ALLEN ERDENKLICHEN ORTEN UND IN ALLEN ERDENKLICHEN UMSTÄNDEN. DER BENUTZER EINES VERSE–SYSTEMS IST VERANTWORTLICH DAFÜR, DASS BEIM AUFBAU ALLE VOM JEWEILIGEN GESETZGEBER FESTGELEGTE REGULARIEN UND MASSNAHMEN BERÜCKSICHTIGT WERDEN.

Um eine sichere Montage des Systems zu gewährleisten, sollte man im Vorfeld alle Haltepunkte an den Boxen einer intensiven Inspektion unterziehen. Das Gleiche gilt auch für die Montage an vor Ort angebotenen Montagehilfen wie Installations–Punkten an Decken etc. – gerade dann, wenn sie im Rahmen von Konzerten regelmäßig verwendet werden. Auch Stative sollten vor der Montage intensiv in Augenschein genommen werden. Verse–Systeme sollten nur aufgehängt werden wenn sicherheitsgeprüfte Installations–Punkte angeboten werden, die in der Lage sind das Gewicht der Komponenten sicher zu halten. Ist das nicht der Fall, sollte unbedingt Abstand von einer hängenden Montage genommen werden.

ANWENDUNGS-VORSCHLÄGE

Die akustischen Eigenschaften eines Raums haben einen maßgeblichen Einfluss auf den von einem Soundsystem produzierten Gesamtklang. Dank der technischen Ausstattung (wie z.B. der optimalen Breite des Abstrahlbereichs) können mit Insider Boxen die meisten üblichen negativen Raum-Eigenschaften minimiert oder sogar komplett kompensiert werden. Die Merkmale helfen dabei, das Ergebnis zu optimieren.

- Platzieren Sie die Boxen nie in den Ecken eines Raums oder in Nischen. Dies kann zu einer unangenehmen Verstärkung tiefer Frequenzen führen. Das Resultat ist ein „verwaschener“, undifferenzierter Klang.
- Stellen Sie die Boxen nicht in Richtung Wand auf. Auch dies führt zu einer Verstärkung tiefer Frequenzen. In Maßen eingesetzt lässt sich diesem Effekt aber auch etwas Positives abgewinnen. So hat man die Option dünn klingenden Sounds durch vorsichtiges Drehen der Boxen in Richtung Wand, mehr Fülle und Druck zu verleihen.
- Vermeiden Sie das direkte Aufstellen der Boxen auf Untergründen die einen Resonanzraum bieten. Dies kann zu Interferenzen und Feedbacks führen. Die besten Ergebnisse lassen sich in solchen Fällen erzielen, wenn Sie von vornherein Boxen-Ständer verwenden.
- Denken Sie daran, dass sich hohe Frequenzen im Vergleich zu Bässen, wesentlich zielgerichteter ausbreiten und dabei eine höhere Absorptionsrate besitzen. Um garantieren zu können, dass das Signal den Zuhörer auch ausreichend stark erreicht, müssen die Boxen so aufgestellt werden, dass sie in direkter Linie mit den Köpfen der Zuhörer abstrahlen (ungefähr einen halben Meter/einen Meter über den Köpfen).
- In Gebäuden mit intensivem Hall (Kirche, Aula, Halle etc.) ist es empfehlenswert mit Dämmmaterialien wie Teppichen, Gardinen etc. zu arbeiten. Sollte das nicht möglich (oder nicht ausreichend) sein, erhöhen Sie zur Erzielung eines besseren Ergebnisses auf keinen Fall einfach nur die Lautstärke. Dies würde zu einer Verstärkung der Reflektionen und damit einer weiteren Verschlechterung des Sounds führen. Die beste Lösung liegt im Einsatz mehrerer Boxen, die im gesamten Raum verteilt werden (z.B. vorne+hinten; vorne+seitlich; vorne+seitlich+hinten). Um sicherzustellen, dass die Zuhörer den Sound in dieser Konfiguration auch ohne „Echo“ hören, kann es allerdings nötig werden, die durch die großen Distanzen zwischen den einzelnen Boxen entstehenden Signalverzögerungen, durch den Einsatz der im D:SIDER-System integrierten Delay-Line auszugleichen.

Ein Beispiel: Da die Geschwindigkeit des Schalls ca. 334 m/sec beträgt, benötigt ein Signal ungefähr 1/10 Sekunde um 30 Meter zu überbrücken. Deshalb würde ein hinten im Publikum stehender Zuhörer den Sound eines direkt hinter ihm platzierten „Back-Lautsprechers“ 1/10 Sekunde eher wahrnehmen, als das Signal einer 30 Meter entfernt stehenden „Front-Box“. Um sicherzustellen dass die beiden Signale das Ohr des Zuhörers auch zeitgleich erreichen ist es angebracht, das Signal des „Back-Lautsprechers“ mit Hilfe eines Delays um 1/10 Sekunde zu verzögern - und genau das lässt sich mit Hilfe der D:SIDER Delay-Line sicher und schnell realisieren.

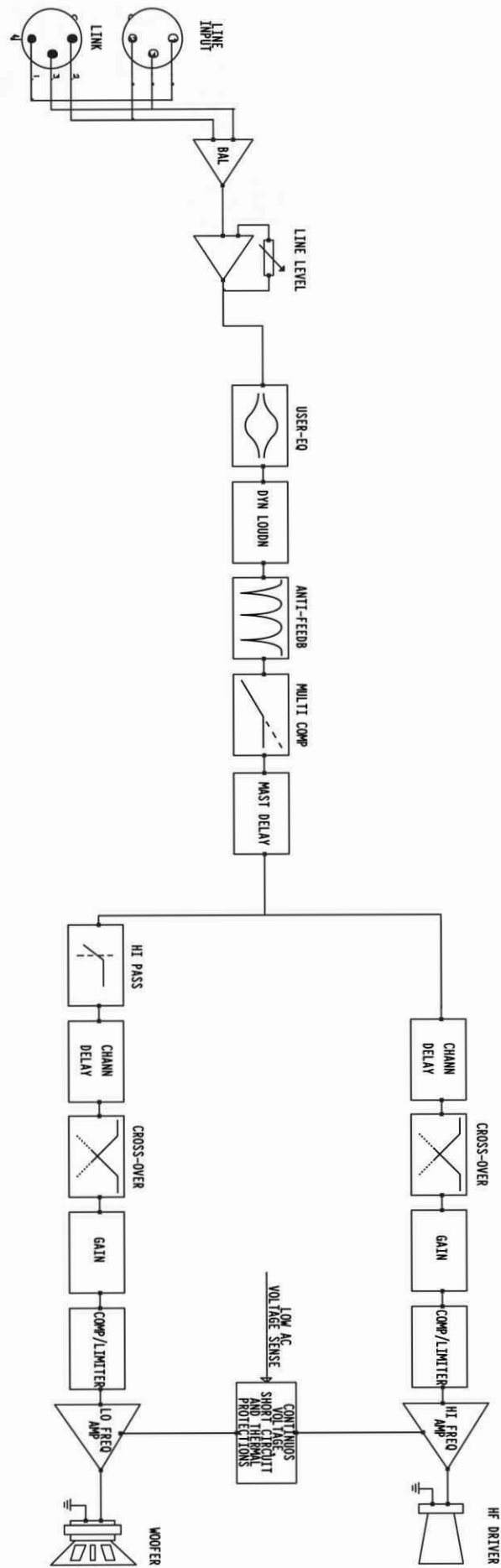


TECHNISCHE DATEN

	D:SIDER 8	D:SIDER 10	D:SIDER 12	D:SIDER 15
Power-handling nominal	415 W	650 W	1000 W	1620 W
Frequency response	70Hz-20KHz	68Hz-20KHz	65Hz-20KHz	60Hz-20KHz
Input sensitivity	0dBu	0dBu	0dBu	0dBu
Max SPL average *	124dB	129dB	131dB	135dB
Low/midrange amplifier	350W	500W	750W	1050W
Mid/highrange amplifier	65W	150W	250W	570W
Crossover frequency	1900Hz	1800Hz	1750Hz	1700Hz
Subsonic filter	Yes	Yes	Yes	Yes
HF protection	PTC	PTC	PTC	PTC
Active protective circuitry	Thermal, overload, short circuit	Thermal, overload, short circuit	Thermal, overload, short circuit	Thermal, overload, short circuit
Nominal impedance	input bal 15Kohm	input bal 15Kohm	input bal 15Kohm	input bal 15Kohm
Connections	powercon AC input, powercon link, fem xlr input, male xlr link out, Ethercon RS485 input, Ethercon RS485 output	powercon AC input, powercon link, fem xlr input, male xlr link out, Ethercon RS485 input, Ethercon RS485 output	powercon AC input, powercon link, fem xlr input, male xlr link out, Ethercon RS485 input, Ethercon RS485 output	powercon AC input, powercon link, fem xlr input, male xlr link out, Ethercon RS485 input, Ethercon RS485 output
WOOFER	8"	10"	12"	15"
Magnet	Neodimium	Neodimium	Neodimium	Neodimium
Voice Coil	Ventilated 2" Copper	Ventilated 2.5" Aluminium	Ventilated 3" Aluminium	Ventilated 3" Copper
Former Material	Kapton	Fiber Glass	Fiber Glass	Fiber Glass
TWEETER	1.4"	1.7"	1.7"	1.7"
Magnet	Neodimium	Neodimium	Neodimium	Neodimium
Voice Coil	Aluminium	Aluminium	Aluminium	Aluminium
Diaphragm	Titanium	Polymide	Polymide	Polymide
Angular dispersion	100° > 50° Hx45° with asimmetrical rotatable horn	100° > 50° Hx45° with asimmetrical rotatable horn	100° > 50° Hx45° with asimmetrical rotatable horn	100° > 50° Hx45° with asimmetrical rotatable horn
CONSTRUCTION				
Cabinet	Laminated birch polywood	Laminated birch polywood	Laminated birch polywood	Laminated birch polywood
Finish	Black scratch-resistant paint	Black scratch-resistant paint	Black scratch-resistant paint	Black scratch-resistant paint
Protection	Metal grid and foam	Metal grid and foam	Metal grid and foam	Metal grid and foam
Dimensions (HxWxD) mm	430x300x320	494x351x347	580x410x385	630x440x450
Pole mount	1 bottom side	1 bottom side	1 bottom side	1 bottom side
Weight	12Kg	16Kg	20Kg	22Kg

* calculated

BLOCK-DIAGRAMM





Entsorgung von alten Elektro- und Elektronikgeräten (gültig in der Europäischen Union und anderen europäischen Ländern mit separatem Sammelsystem)

Dir. 2002/95/CE, 2002/96/CE e 2003/108/CE

Dieses Symbol auf dem Produkt oder auf der Verpackung bedeutet, dass dieses Produkt nicht wie Hausmüll behandelt werden darf. Stattdessen soll dieses Produkt zu dem geeigneten Entsorgungspunkt zum Recyclen von Elektro- und Elektronikgeräten gebracht werden. Wird das Produkt korrekt entsorgt, helfen Sie mit, negativen Umwelteinflüssen und Gesundheitsschäden vorzubeugen, die durch unsachgemäße Entsorgung verursacht werden könnten; Das Recycling von Material wird unsere Naturressourcen erhalten. Für nähere Informationen über das Recyclen dieses Produktes kontaktieren Sie bitte Ihr lokales Bürgerbüro, Ihren Abholservice oder das Geschäft, in dem Sie dieses Produkt gekauft haben.



Verse is a trademark of
VISCOUNT INTERNATIONAL S.p.a.
Via Borgo 68/70
I-47836 Mondaino (RN) Italy
Tel. +39 0541 98 17 00
Fax +39 0541 86 96 05
email: contact@verseaudio.com
Website: www.verseaudio.com

Le informazioni contenute nel presente documento sono state redatte e controllate con attenzione. Tuttavia VISCOUNT declina ogni responsabilità in merito ad eventuali inesattezze. Tanto le informazioni contenute in questo documento, quanto le specifiche dei prodotti ai quali fa riferimento sono soggette a modifiche senza preavviso. VISCOUNT non assume alcuna responsabilità sull'uso o sull'applicazione dei prodotti descritti in questo documento. Ogni eventuale citazione di nomi, prodotti e società ha il solo scopo di illustrare l'uso dei prodotti qui descritti. Nomi, logo e marchi eventualmente riportati appartengono ai rispettivi proprietari. Tutti i diritti sono riservati e nessuna parte di questo documento può essere riprodotta in alcuna forma, in alcun modo e per alcuno scopo senza il permesso scritto di VISCOUNT

The information in this document has been drafted and checked with care. However VISCOUNT declines all responsibility for any inaccuracies. Both the information in this document and the product specifications to which it refers are subject to amendment without notice. VISCOUNT does not accept any responsibility with regard to the use or application of the products described in this document. Any references to names, products and companies is for the sole purpose of illustrating the use of the products described herein. Any names, logos and brands referred to belong to their respective owners. All rights reserved; the reproduction of any part of this document, in any form and for any purpose without VISCOUNT's specific written permission is forbidden.